

Merkmale

- Haltewinkel
- Einfache und schnelle Montage
- Fixe Justage

Features

- Mounting bracket
- Simple and fast mounting
- Fixed setting

Adressen Addresses



Pepperl+Fuchs GmbH
68301 Mannheim · Germany
Tel. +49 621 776-4411
Fax +49 621 776-27-4411
E-mail: fa-info@de.pepperl-fuchs.com

Worldwide Headquarters
Pepperl+Fuchs GmbH · Mannheim · Germany
E-mail: fa-info@de.pepperl-fuchs.com

USA Headquarters
Pepperl+Fuchs Inc. · Twinsburg · USA
E-mail: fa-info@us.pepperl-fuchs.com

Asia Pacific Headquarters
Pepperl+Fuchs Pte Ltd · Singapore
E-mail: fa-info@sg.pepperl-fuchs.com
Company Registration No. 199003130E

www.pepperl-fuchs.com

Zubehör Accessories



CE

Bestellbezeichnung Model Number

OMH-RL31-06

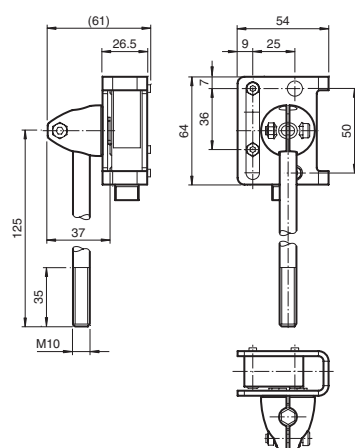
Haltewinkel

Mounting bracket

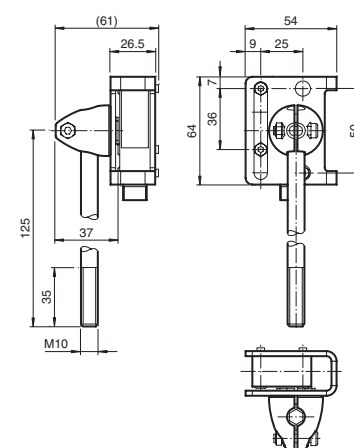
Part-No: 215236 EDM: 45-2884A
Date: 2010-02-18 DIN A3 -> DIN A7



Abmessungen



Dimensions



Elektrischer Anschluss

Electrical connection

Technische Daten

Mechanische Daten

Material	Edelstahl
Masse	ca. 303 g
Befestigung	Befestigungsmaterial inklusive

Passende Serien

Serie	Serie 31
-------	----------

Technical data

Mechanical specifications

Material	Stainless steel
Mass	approx. 303 g
Mounting	Mounting accessories included

Suitable series

Series	Series 31
--------	-----------