

Merkmale

- Montagehilfe mit Gewindestab M10 und drehbarem Kopf
- Einfache und schnelle Montage
- Befestigungsmaterial im Lieferumfang enthalten
- Robuste Ausführung

Features

- Mounting aid with threaded rod M10 and turnable head
- Simple and fast mounting
- Supplied with mounting material
- Sturdy construction

Adressen Addresses



Pepperl+Fuchs GmbH
68301 Mannheim · Germany
Tel. +49 621 776-4411
Fax +49 621 776-27-4411
E-mail: fa-info@de.pepperl-fuchs.com

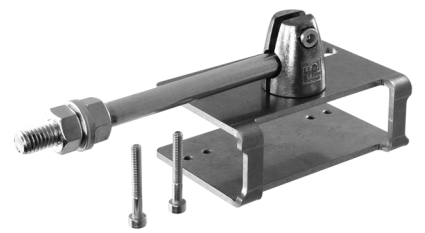
Worldwide Headquarters
Pepperl+Fuchs GmbH · Mannheim · Germany
E-mail: fa-info@de.pepperl-fuchs.com

USA Headquarters
Pepperl+Fuchs Inc. · Twinsburg · USA
E-mail: fa-info@us.pepperl-fuchs.com

Asia Pacific Headquarters
Pepperl+Fuchs Pte Ltd · Singapore
E-mail: fa-info@sg.pepperl-fuchs.com
Company Registration No. 199003130E

www.pepperl-fuchs.com

Zubehör Accessories



CE

Bestellbezeichnung Model Number

OMH-RL29-06

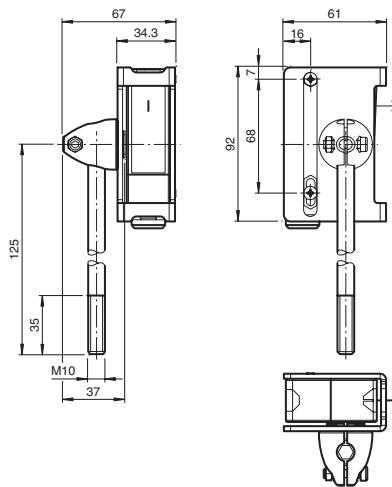
Haltewinkel

Mounting bracket

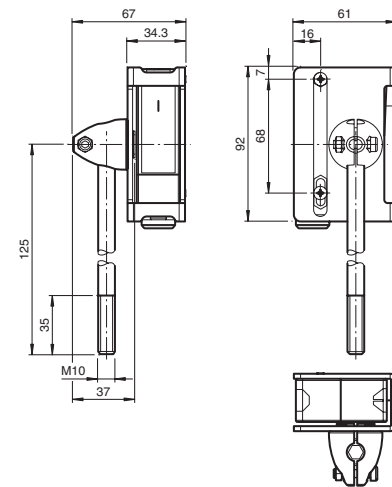
Part-No: 220110 EDM: 45-2938A
Date: 2010-02-18 DIN A3 -> DIN A7



Abmessungen



Dimensions



Elektrischer Anschluss

Electrical connection

Technische Daten

Mechanische Daten

| | |
|-------------|--------------------------------|
| Material | Edelstahl |
| Befestigung | Befestigungsmaterial inklusive |

Passende Serien

| | |
|-------|-------------|
| Serie | Serie 28/29 |
|-------|-------------|

Technical data

Mechanical specifications

| | |
|----------|-------------------------------|
| Material | Stainless steel |
| Mounting | Mounting accessories included |

Suitable series

| | |
|--------|--------------|
| Series | Series 28/29 |
|--------|--------------|