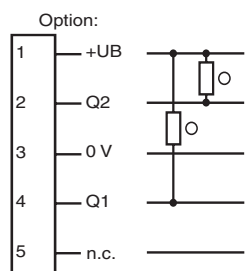
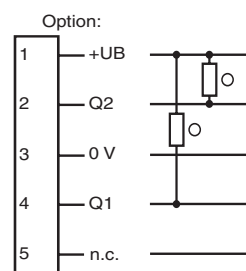


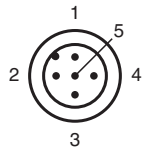
Elektrischer Anschluss



Electrical connection



○ = Hellschaltung
● = Dunkelschaltung



○ = Light on
● = Dark on

Technische Daten

Allgemeine Daten

| | |
|------------------|--|
| Tastbereich | 2 ... 12 mm |
| Referenzobjekt | Kupfer-Schweißelektrode, Durchmesser: 16 mm, Stirnfläche: 6 mm |
| Lichtsender | LED |
| Lichtart | rot, Wechsellicht, 640 nm |
| Fremdlichtgrenze | Gleichlicht 40000 Lux, Wechsellicht 5000 Lux |
| Kippwinkel | ± 1,5 ° |
| Lagetoleranz | ± 2 mm |

Anzeigen/Bedienelemente

| | |
|------------------|---|
| Betriebsanzeige | LED grün: Power on |
| Funktionsanzeige | LED gelb: Schaltzustand LED rot: Voraussfallanzeige |
| Teach-In-Anzeige | LED, grün/gelb blinkend (ca. 4 Hz) Teach Fehler: LEDs gelb/grün; gegenphasiges Blinken; 8,0 Hz |
| Bedienelemente | Teach-In-Taste |

Elektrische Daten

| | | |
|------------------|-------|----------------|
| Betriebsspannung | U_B | 10 ... 30 V DC |
| Leerlaufstrom | I_0 | ≤ 70 mA |

Ausgang

| | |
|----------------|---|
| Schaltungsart | hellschaltend |
| Signalausgang | 2 Schaltausgänge npn, Schließer kurzschlussfest verpolgeschützt |
| Schaltstrom | max. 100 mA |
| Schaltfrequenz | f 100 Hz |
| Ansprechzeit | 5 ms |

Umgebungsbedingungen

| | |
|---------------------|---|
| Umgebungstemperatur | 0 ... 50 °C (32 ... 122 °F) Die Schaltgenauigkeit bleibt erhalten, wenn die Umgebungstemperatur nach dem Teach-In nicht mehr als ±7 °C abweicht. |
| Lagertemperatur | -20 ... 70 °C (-4 ... 158 °F) |

Mechanische Daten

| | |
|-----------|--------------------------------|
| Schutzart | IP67 |
| Anschluss | Gerätestecker M12 x 1, 5-polig |
| Material | |

| | |
|---------------|-------------------------------|
| Gehäuse | PC + ABS |
| Lichtaustritt | kratzfeste Mineralglasscheibe |
| Masse | 80 g |

Normen- und Richtlinienkonformität

| | |
|----------------------------|--|
| Normenkonformität | EN 60947-5-2:2007 IEC 60947-5-2:2007 |
| Schock- und Stoßfestigkeit | IEC / EN 60068, Halb-Sinus, 50 g je X, Y und Z Richtung |
| Vibrationsfestigkeit | IEC / EN 60068-2-6, Sinus, 10 - 150 Hz, 5 g je X, Y und Z Richtung |

Zulassungen und Zertifikate

| | |
|---------------|--|
| Schutzklasse | II, Bemessungsspannung ≤ 250 V AC bei Verschmutzungsgrad 1-2 nach IEC 60664-1 |
| UL-Zulassung | cULus Listed |
| CCC-Zulassung | Produkte, deren max. Betriebsspannung ≤ 36 V ist, sind nicht zulassungspflichtig und daher nicht mit einer CCC-Kennzeichnung versehen. |

Adressen/Addresses



Pepperl+Fuchs GmbH
68301 Mannheim · Germany
Tel. +49 621 776-4411
Fax +49 621 776-27-4411
E-mail: fa-info@de.pepperl-fuchs.com

Worldwide Headquarters
Pepperl+Fuchs GmbH · Mannheim · Germany
E-mail: fa-info@de.pepperl-fuchs.com

USA Headquarters
Pepperl+Fuchs Inc. · Twinsburg · USA
E-mail: fa-info@us.pepperl-fuchs.com

Asia Pacific Headquarters
Pepperl+Fuchs Pte Ltd · Singapore
E-mail: fa-info@sg.pepperl-fuchs.com
Company Registration No. 199003130E

www.pepperl-fuchs.com

Reflexionslichttaster, energetisch
mit Gerätestecker M12 x 1, 5-polig
Diffuse mode sensor
with 5-pin, M12 x 1 connector
WTS10-12/21/105



Part. 223093
Date: 02/20/2018

Doc. 45-3210B
DIN A3 -> A7

PEPPERL+FUCHS
SENSING YOUR NEEDS

Technical data

General specifications

| | |
|---------------------|---|
| Detection range | 2 ... 12 mm |
| Reference target | Copper welding-electrode Diameter: 16 mm, Front end: 6 mm |
| Light source | LED |
| Light type | modulated visible red light, 640 nm |
| Ambient light limit | continuous light 40000 Lux, Modulated light 5000 Lux |
| Tilting angle | ± 1.5 ° |
| Position tolerance | ± 2 mm |

Indicators/operating means

| | |
|---------------------|---|
| Operation indicator | LED green: Power on |
| Function indicator | LED yellow: switching state LED red: Pre-fault indication |
| Teach-In indicator | LED, green/yellow flashing (approx. 4 Hz) Teach Error: LED green/yellow non equiphase flashing; 8.0 Hz |
| Control elements | Teach-In key |

Electrical specifications

| | | |
|------------------------|-------|----------------|
| Operating voltage | U_B | 10 ... 30 V DC |
| No-load supply current | I_0 | ≤ 70 mA |

Output

| | |
|---------------------|---|
| Switching type | light on |
| Signal output | 2 switch outputs NPN, NO short-circuit protected reverse polarity protected |
| Switching current | max. 100 mA |
| Switching frequency | f 100 Hz |
| Response time | 5 ms |

Ambient conditions

| | |
|---------------------|--|
| Ambient temperature | 0 ... 50 °C (32 ... 122 °F) The switching accuracy will remain, if the temperature after Teach-In does not varies more than ±7 °C |
| Storage temperature | -20 ... 70 °C (-4 ... 158 °F) |

Mechanical specifications

| | |
|----------------------|--------------------------|
| Degree of protection | IP67 |
| Connection | 5-pin, M12 x 1 connector |
| Material | |

| | |
|--------------|--------------------------------------|
| Housing | PC + ABS |
| Optical face | Scratch resistant mineral glass lens |
| Mass | 80 g |

Compliance with standards and directives

| | |
|-----------------------------|---|
| Standard conformity | EN 60947-5-2:2007 IEC 60947-5-2:2007 |
| Shock and impact resistance | IEC / EN 60068, half-sine, 50 g in each X, Y and Z directions |
| Vibration resistance | IEC / EN 60068-2-6, Sinus, 10 - 150 Hz, 5 g in each X, Y and Z directions |

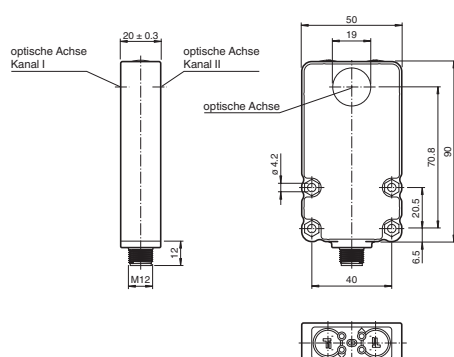
Approvals and certificates

| | |
|------------------|---|
| Protection class | II, rated voltage ≤ 250 V AC with pollution degree 1-2 according to IEC 60664-1 |
| UL approval | cULus Listed |
| CCC approval | CCC approval / marking not required for products rated ≤ 36 V |

Sicherheitshinweise:

- Vor der Inbetriebnahme Betriebsanleitung lesen
- Anschluss, Montage und Einstellung nur durch Fachpersonal
- Kein Sicherheitsbauteil gemäß EU-Maschinenrichtlinie

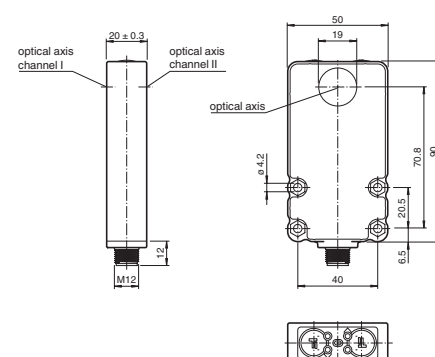
Abmessungen



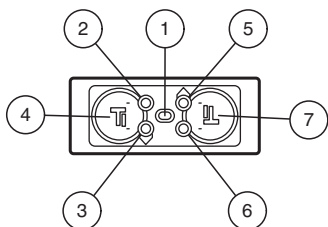
Security Instructions:

- Read the operating instructions before attempting commissioning
- Installation, connection and adjustments should only be undertaken by specialist personnel
- Not a safety component in accordance with the EU Machinery Directive

Dimensions

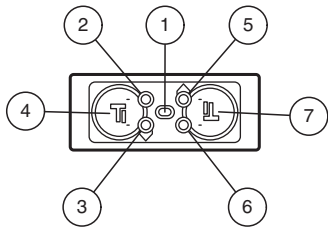


Anzeigen/Bedienelemente



| | | |
|---|-------------------|------|
| 1 | LED Power On | grün |
| 2 | LED Kanal I | rot |
| 3 | LED Kanal I | gelb |
| 4 | Teach-In Kanal I | |
| 5 | LED Kanal II | gelb |
| 6 | LED Kanal II | rot |
| 7 | Teach-In Kanal II | |

Indicators/operating means



| | | |
|---|---------------------|--------|
| 1 | LED Power On | green |
| 2 | LED channel I | red |
| 3 | LED channel I | yellow |
| 4 | Teach-In channel I | |
| 5 | LED channel II | yellow |
| 6 | LED channel II | red |
| 7 | Teach-In channel II | |

Signalamplitude Signal amplitude Amplitude du signal

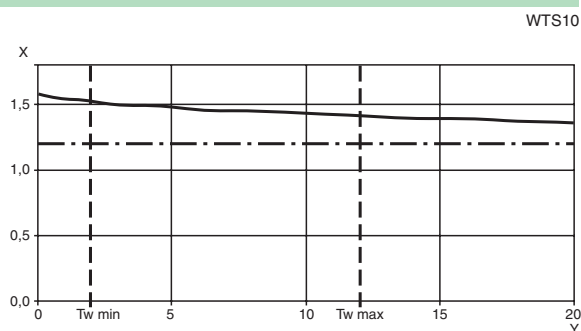
Amplitud de señal Ampezza del segnale

(Target orthogonal = 0°)
(target orthogonal = 0°)
(cible orthogonale = 0°)
(objetivo ortogonal = 0°)
(target ortogonale = 0°)

X: Signalamplitude [V]
Signal amplitude [V]
Amplitude du signal [V]
Amplitud de señal [V]
Ampezza del segnale [V]

Y: Tastweite [mm]
Detection range [mm]
Largeur de marquage [mm]
Rango de detección [mm]
Profondità di scansionamento [mm]

| | |
|---------|---|
| — | WTS10-12 |
| - - - - | Schaltswelle Switching threshold Seuil de commutation Umbral de comutación Soglia di commutazione |



Signalamplitude Signal amplitude Amplitude du signal

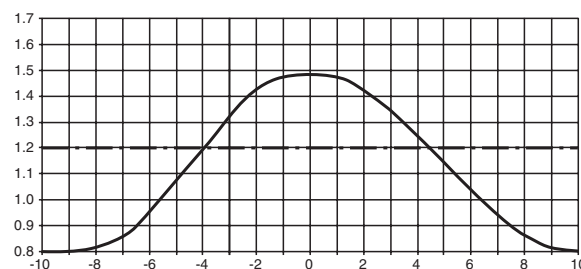
Amplitud de señal Ampezza del segnale

bei Verschiebung des Targets
for displacement of the target
en cas de déplacement de la cible
en caso de desplazamiento del objetivo
con spostamento del target

X: Signalamplitude [V]
Signal amplitude [V]
Amplitude du signal [V]
Amplitud de señal [V]
Ampezza del segnale [V]

Y: Verschiebeweg X [mm]
Displacement X [mm]
Déplacement X [mm]
Camino de desplazamiento X [mm]
Percorso di spostamento X [mm]

| | |
|---------|---|
| — | WTS10-12 |
| - - - - | Schaltswelle Switching threshold Seuil de commutation Umbral de comutación Soglia di commutazione |



Signalamplitude Signal amplitude Amplitude du signal

Amplitud de señal Ampezza del segnale

bei Verkippung des Targets
for tilting of the target
en cas d'inclinaison de la cible
en caso de inclinación del objetivo
con ribaltamento del target

X: Signalamplitude [V]
Signal amplitude [V]
Amplitude du signal [V]
Amplitud de señal [V]
Ampezza del segnale [V]

Y: Kippwinkel [Grad]
Tilt angle [degrees]
Angle d'inclinaison [degré]
Ángulo de inclinación [grados]
Ángulo de ribaltamento [gradi]

| | |
|---------|---|
| — | WTS10-12 |
| - - - - | Schaltswelle Switching threshold Seuil de commutation Umbral de comutación Soglia di commutazione |

