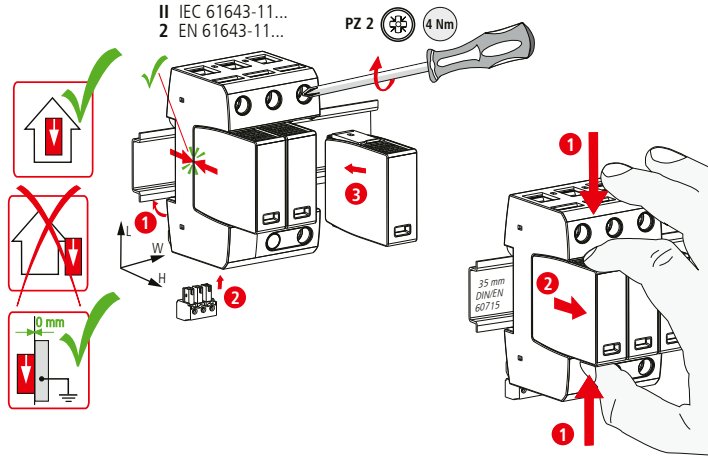
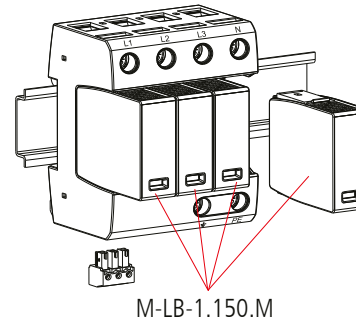


M-LB-3.150TNC.D

- DE Einbauanleitung
- GB Installation instructions
- IT Istruzioni di montaggio
- FR Instructions de montage
- NL Montagehandleiding
- ES Instrucciones de montaje
- PT Instruções de montagem
- DK Monteringsvejledning
- SE Monteringsanvisning
- FI Asennusohje
- GR Οδηγίες συναρμολόγησης
- PL Instrukcja montażu
- CZ Montážní návod
- TR Kurulum Talimatları
- RU Инструкция по монтажу
- HU Szerelési útmutató



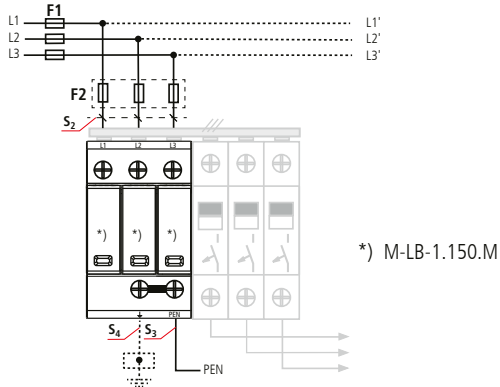
M-LB-4.150TNS.D



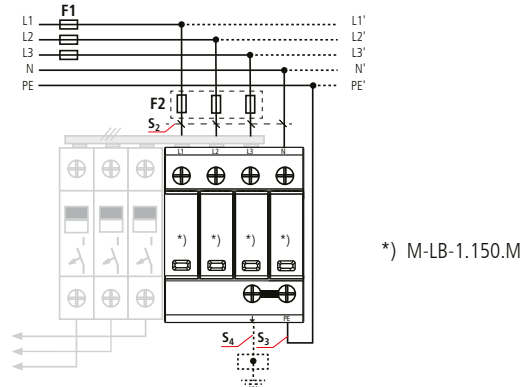
	M-LB-3.150TNC.D	M-LB-4.150TNS.D
$U_N / \text{Tol.} : \pm 10\%$	120 V	150 V~
$U_{C, AC}$	150 V~	
f_N	50 / 60 Hz	
max.	125 A gG	
I_{max}	40 kA	
I_{SCCR}	50 kA _{rms}	
θ°	-40°C ... + 80°C	
φ	5% ... 95%	
I_{PE}	< 0.5 mA	
IP 1)	20	
L x W x H	90 mm x 54 mm x 73 mm	90 mm x 72 mm x 73 mm

	12 mm	12 mm	12 mm
min. \square L, N, PE(N), \perp			1.5 mm ²
max. \square L, N, PE(N), \perp		25 mm ²	35 mm ²
\square	16 mm ² Cu		≥ 15.5 mm

TN-C M-LB-3.150TNC.D

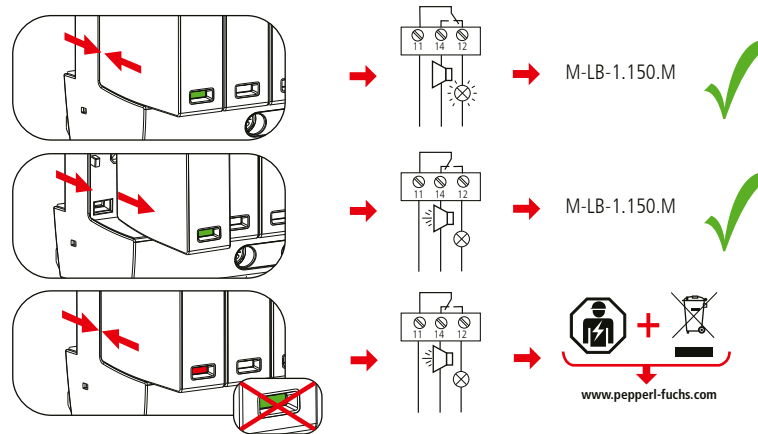
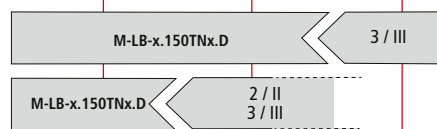


TN (-C) -S M-LB-4.150TNS.D



F1	F1 ≤ 125 A gG	M-LB-3.150TNC.D M-LB-4.150TNS.D				
		\perp F1 A gG	S_2 / mm^2	S_3 / mm^2	S_4 / mm^2	\perp F2 A gG
F2	F1 > 125 A gG	25	4	6	6	---
		35	4	6	6	---
		40	4	6	6	---
		50	6	6	6	---
		63	10	10	10	---
		80	10	10	10	---
		100	16	16	16	---
		125	16	16	16	---
> 125	16	16	16	125		

LPZ 0_A | LPZ 0_B | LPZ 1 | LPZ 2 | LPZ 3



M-LB-3.150TNC.D M-LB-4.150TNS.D	
	U_N / I_N AC: 250 V / 0.5 A DC: 250 V / 0.1 A 125 V / 0.2 A 75 V / 0.5 A
	max. 1.5 mm ²

