

## Installation Leaflet

# Mounting Brackets

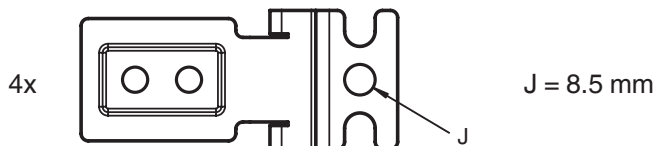
## EPE.ACC.BRACKET.SS.01

Pepperl-Fuchs GmbH  
Lilienthalstrasse 200  
69307 Mannheim, Germany  
Tel. +49 621 776-0  
Fax +49 621 776-1000

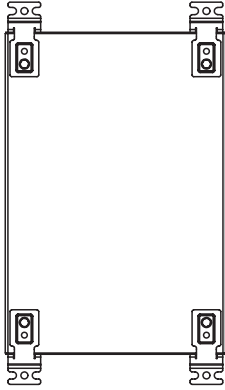
Document No.: 45-5394  
Edition: 2018-06-15

Copyright Pepperl+Fuchs  
www.pepperl-fuchs.com

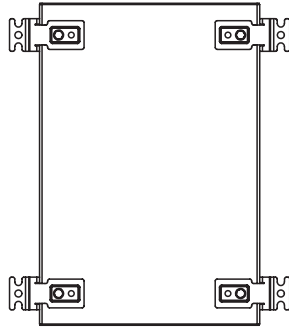
 **PEPPERL+FUCHS**



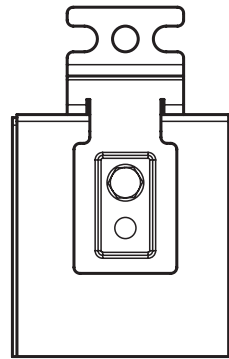
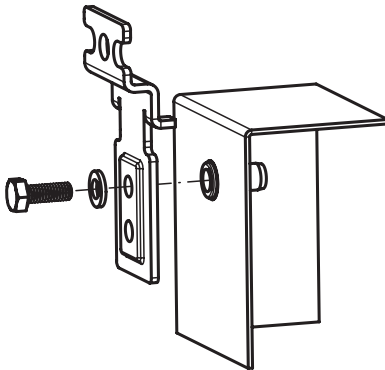
(1)



(2)



(1)



(2)

