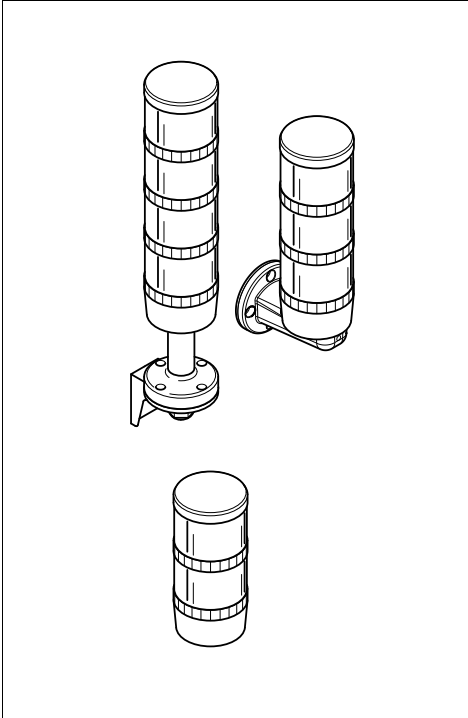
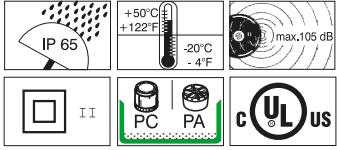


EN 60947-5-1



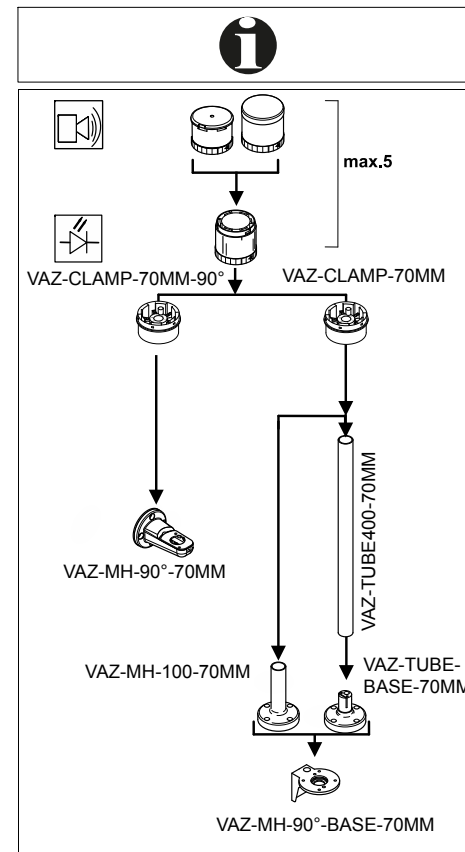
310.640.004.0118_AB

© ⓘ

 Pepperl+Fuchs GmbH
 68307 Mannheim · Germany
 Telephone: +49 621 776-0
 Telefax: +49 621 776-1000
 info?de.pepperl-fuchs.com

DANGER

ⓘ Anschluss **ausschließlich** durch ausgebildete Elektro-Fachkräfte.
 ⓖ Electrical connection is to be made by trained electrical specialists **only**.
 ⓘ Le branchement doit **uniquement** être effectué par des professionnels.
 ⓘ Il collegamento deve essere eseguito **solo** da elettricisti specializzati.
 ⓘ La conexión **sólo** debe ser realizada por electricistas debidamente formados.
 ⓘ A ligação deve ser feita **exclusivamente** por profissional elétrico especializado.
 ⓘ De aansluiting mag **enkel** gebeuren door erkende vakmensen.
 ⓘ Připojení smí **provádět** pouze kvalifikovaný personál.
 ⓘ Podłączenie **wyłącznie** przez specjalistów-elektryków.
 ⓘ Liittäminen kuuluu **ainoastaan** koulutettujen sähköalan ammattilaisten tehtäviin.
 ⓘ Подключение проводится только специа-листом-электриком.
 ⓘ Bağlantı **sadece** eğitimli elektrik teknisyenleri tarafından yapılmalıdır.
 ⓘ 布线需由专业电工执行



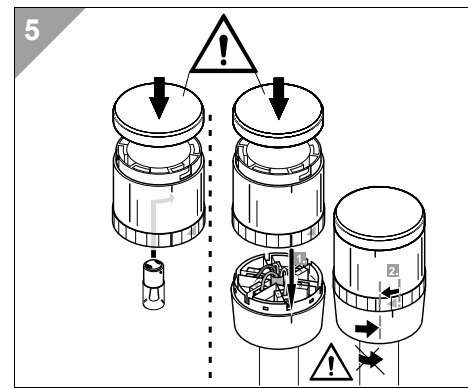
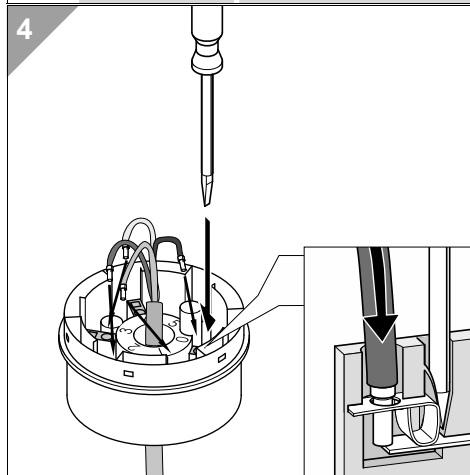
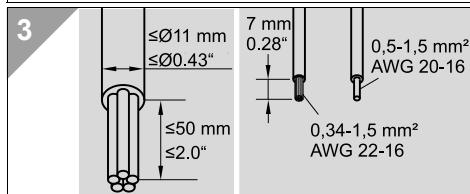
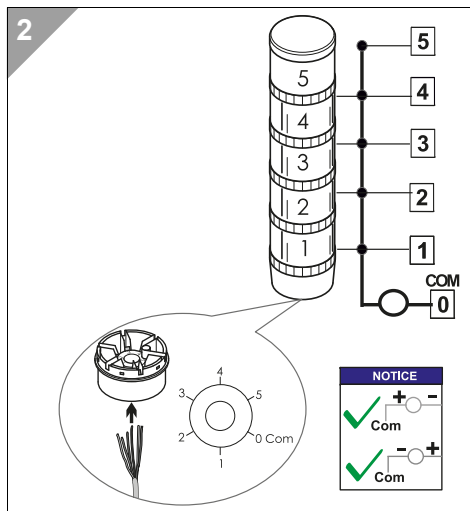
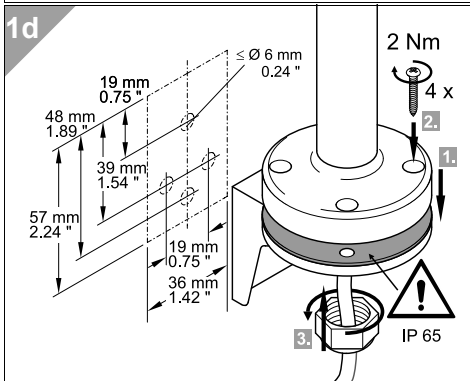
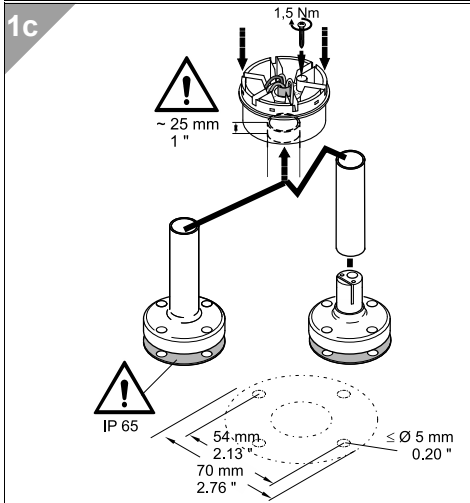
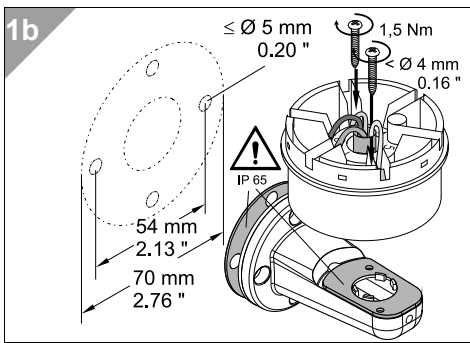
VAZ-CLAMP -70MM-90° -70MM	197120 196239	12-230 V≈	
VAZ-LAMP -70MM-RD -70MM-GN -70MM-YE -70MM-CL -70MM-BU	216076 216077 216078 216079 216080	12-230 V≈	
BA 15 d, VAZ-LAMP -70MM-BULB -5W/24V	216081	24 V, 5 W	
VAZ-LED	24 V≈	I @24V=	I @30,5V (AS-I)
-70MM-RD	196233	<35 mA	<36 mA
-70MM-GN	196235	<35 mA	<28 mA
-70MM-YE	196234	<30 mA	<30 mA
-70MM-CL	196237	<30 mA	<30 mA
-70MM-BU	196236	<25 mA	<30 mA
-70MM-LM	301315	<30 mA	<30 mA

VAZ-FLASH	24 V=	I @24V=	I @30,5V (AS-I)
-70MM-RD	205223	<35 mA	<32 mA
-70MM-YE	205224	<35 mA	<33 mA
95 - 105dB VAZ-HORN -70MM -105DBA	24 V≈	I @24V=	I @30,5V (AS-I)
301479	<40 mA	<32 mA	
< 85 dB VAZ-HORN -70MM -85DBA	24 V≈	I @24V=	I @30,5V (AS-I)
196238	<25 mA	<27 mA	
< 102 dB VAZ-HORN -70MM -0..100DBA -8TONE	24 V≈	I @24V=	I @30,5V (AS-I)
307857	<30 mA	<32 mA	

1

1a: VAZ-CLAMP-70MM-90°
 1b: VAZ-CLAMP-70MM-90°
 + VAZ-MH-90°-70MM
 1c: VAZ-CLAMP-70MM + VAZ-MH-100-70MM,
 VAZ-TUBE400-70MM,
 VAZ-TUBE-BASE-70MM
 1d: VAZ-MH 90°-BASE-70MM

1a



6

WARNING

NOTICE

max. 85-105dB

dB = dB A (SPL) 1m

6a VAZ-HORN-70MM-105DBA

* = Default setting

95-105dB

95 dB

105 dB

3kHz

2,3 - 3kHz

6b VAZ-HORN-70MM-85DBA

* = Default setting

<85dB

Permanent

Pulse

6c VAZ-HORN-70MM-0..100DBA-8TONE

* = Default setting

<102dB

DIP 1

OFF max.dB(A)

ON -10dB(A)

DIP 2 3 4

max. dB(A)

OFF	OFF	OFF	OFF	2.8kHz	102
ON	OFF	OFF	OFF	0.9kHz	96
OFF	ON	OFF	OFF	2.8kHz	96
OFF	ON	ON	OFF	0.9 kHz	92
OFF	ON	ON	ON	2.8 kHz	102
OFF	ON	ON	ON	0.9 kHz	96
OFF	ON	ON	ON	2.8 kHz	102
OFF	ON	ON	ON	1kHz - 3.6kHz	102