

ecom

A PEPPERL+FUCHS BRAND



Tab-Ex® 03 D2

Operating Instructions | Instructions d'utilisation
Instrucciones de uso



English

Page

3

Français

Page

26

Español

Página

51

Content

1. Application	4
2. Safety precautions	4
3. Radiation Exposure Statement.....	4
4. Band and mode	5
5. Repair	5
6. Inserting the SIM/USIM card (LTE/WWAN model only) and microSD card.....	5
7. Charging the tablet computer.....	6
8. Safety precautions for the battery	6
9. Cleaning, maintenance and storage.....	7
10. Disposal	7
11. Warranty and liability.....	8
12. Device layout and functions.....	8
13. Battery.....	14
14. Memory card (microSD card).....	20
15. Operation	25

Note:

The current Operating Instructions, Ex-Safety Manual, and the Certificate of Conformity can be downloaded from the relevant product page at www.ecom-ex.com, or alternatively they can be requested directly from the manufacturer.

1. Application

The Tab-Ex® 03 D2 is a nonincentive water-, dust- and impact resistant tablet for industrial application in hazardous areas with gaseous or dust atmospheres according to the bi-national standard UL121201/CSA C22.2 No 213.

2. Safety precautions

These safety instructions contain information and safety regulations which are to be observed. Non-observance of this information and these instructions can have serious consequences and may violate regulations. Please read these Ex-Safety manual MAS-0177 carefully before starting to use the device. In the event of conflicting information the details specified in the safety instructions shall apply. In case of any doubt (in the form of translation or printing errors) the English version shall apply.

3. Radiation Exposure Statement

⚠Warning: This equipment complies with International Commission on Non-Ionizing Radiation Protection (ICNIRP), IEEE C95.1, Federal Communications Commission Office of Engineering and Technology (OET) Bulletin 65 and European Committee for Electrotechnical Standardization (CENELEC) EN62311 limits for exposure to radio frequency (RF) radiation.

The FCC ID and CE marking are printed on the device label.

The battery pack has to be removed to find the info.

3.1 SAR values for European countries:

The SAR values below are only for devices developed for use in European countries.

The SAR limit is 2.0 W/kg.

Maximum SAR for this model and conditions under which it was recorded:

Body-worn SAR: 1.390 W/kg

Head SAR: 1.091 W/kg

3.2 SAR values for USA:

The SAR values below are only for devices developed for use in USA.

The SAR limit is 1.6 W/kg.

Maximum SAR for this model and conditions under which it was recorded:

Body-worn SAR: 1.390 W/kg

Simultaneous Transmission: 1.58 W/kg

4. Band and mode

Band and mode	Output power
EGSM900	33 dBm
DCS1800	30 dBm
WCDMA 900/2100	24 dBm
LTE 1/3/7/8/20/28/38/40	23 dBm
Wi-Fi 2.4 GHz	20 dBm
Bluetooth 2.4 GHz	20 dBm
Wi-Fi 5.1-5.7 GHz	23 dBm
Wi-Fi 5.8 GHz	25 mW
NFC 13.56 MHz	42 dBuA/m at 10 m

The use of WLAN band is restricted to indoor use only. This restriction will be applied in all EU member states.

AT	BE	BG	CH	CY	CZ	DE	DK	EE	ES	EL
FI	FR	HR	HU	IE	IS	IT	LI	LT	LU	LV
MT	NL	NO	PL	PT	RO	SE	SI	SK	TR	UK

5. Repair

Repairs are to be conducted by ECOM Instruments GmbH or by personnel or service centers authorized by ECOM Instruments GmbH only, due to the safety of the device needs to be tested after repairs are implemented. The actual repair report sheet can be downloaded from the service area at www.ecom-ex.com.

6. Inserting the SIM/USIM card (LTE/WWAN model only) and microSD card

1. Remove the Ex-Protective Cover of the device.
2. Pull out the tray gently from the tray slot.
3. Place the SIM or USIM card on the tray with the gold-coloured contacts facing downwards.
4. Gently press the SIM or USIM card into the tray to secure it.
5. Attach the Ex-Protective Cover.

See also Picture Page 19

7. Charging the tablet computer

Charging the tablet computer is allowed only outside hazardous areas!

The battery of the tablet computer is delivered not fully charged. It is recommended to charge the tablet computer's battery for five hours before using it for the first time. The full capacity of the battery is reached after 3 - 4 complete charge / discharge cycles.

Note:

- There is a risk of explosion if the device is exposed to a flame.
- Only use ECOM-approved chargers.

At the end of its lifetime, the supplied lithium-ion battery must be recycled or disposed of separately from household waste. Don't incinerate the battery.

8. Safety precautions for the battery

Damaged batteries and chargers should be removed from use and sent to ECOM Instruments GmbH for inspection.

Note:

- Extreme temperatures can have an adverse effect on charging the battery.
- Do not dispose of the device in a fire.
- Dispose of the device in accordance with local regulations and not with normal household waste.

A high quality lithium-ion battery is used in your Tab-Ex® 03. These batteries have numerous advantages in everyday use, such as a low weight and high capacity in a nevertheless compact construction. In addition these batteries also exhibit practically no memory effect. However, these batteries are susceptible to a natural aging process which impairs their functionality.

Modern batteries today have a lifespan of around 500 charge cycles, which, when used daily, corresponds to a service life of approximately two years. The ageing process increases rapidly after this period, which means that the batteries are deemed technically defective after 500 charge cycles. Moreover, the battery cells could expand and cause irreparable damage to your device in a worst case scenario. For this reason rechargeable batteries with lithium cells should be replaced after two years at the latest or after reaching a battery capacity that is 50% of its initial value.

Note:

The battery used in this unit poses a fire hazard and can cause chemical injuries if it is used improperly. Neither the battery nor the battery cells should be opened or disassembled and they should not be burned or exposed to temperatures exceeding 60 °C.

9. Cleaning, maintenance and storage

- Only use a suitable cloth or sponge to clean the tablet computer.
- Do not use any solvents or abrasive cleaning agents when cleaning.
- It is recommended that you have the functionality and accuracy of the tablet inspected by the manufacturer every two years.
- Do not exceed the permissible storage temperature range of -20 °C to +60 °C

10. Disposal

Old electrical devices by ECOM Instruments GmbH will be directed to disposal at our expense and disposed of free of charge in accordance with European Directive 2002/96/EC. Please follow local regulations for the disposal of electronic products. The costs associated with returning devices to ECOM Instruments GmbH are to be borne by the sender.

In accordance with Article 1, Section 18 and Article 2 of the Act revising the law of Waste-Related Product Responsibility for Batteries and Accumulators (Gesetz zur Neu-regelung der abfallrechtlichen Produktverantwortung für Batterien und Akkumulatoren) dated 25 June 2009, we are obligated to provide the following information.

Your device contains a rechargeable lithium battery.


Depleted batteries or rechargeable batteries that can no longer be recharged should never be disposed of along with normal or household waste. Old batteries can contain harmful substances that are hazardous to health and damaging to the environment. Please return the batteries/rechargeable batteries. Return is free of charge and required by law. Please only dispose of discharged batteries in the designated containers and tape the terminals of lithium batteries.

Note:


The battery used in this unit poses a fire hazard and can cause chemical injuries if it is used improperly. Neither the battery nor the battery cells should be opened or disassembled and they should not be burned or exposed to temperatures exceeding 60 °C. If the battery needs to be disposed of, it can be removed as described under point (12). The disposal regulations specified above are also applicable for old devices.

All batteries and rechargeable batteries can be recycled. Precious raw materials such as iron, zinc and nickel can therefore be reused.



The symbol  has the following meaning: Old electrical devices should not be disposed of along with normal or household waste.



This symbol  on the battery, manual or packaging indicates that the batteries in this product should not be disposed of with other household waste at the end of their working life. Where marked, the chemical symbols Hg, Cd or Pb indicate that the battery contains mercury, cadmium or lead above the reference levels in EC Directive 2006/66.

11. Warranty and liability

The warranty of this product follows the General Conditions of Delivery and Payment of ECOM Instruments GmbH, which are available at www.ecom-ex.com, or alternatively they can be requested directly from the manufacturer.

This warranty can be extended by the optional Service Level Agreement.

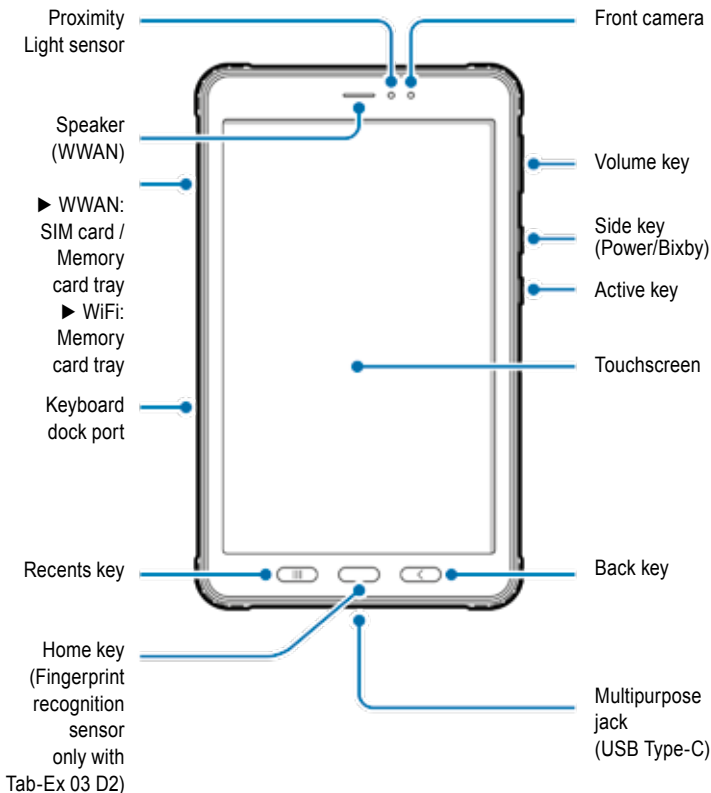
12. Device layout and functions

Package contents

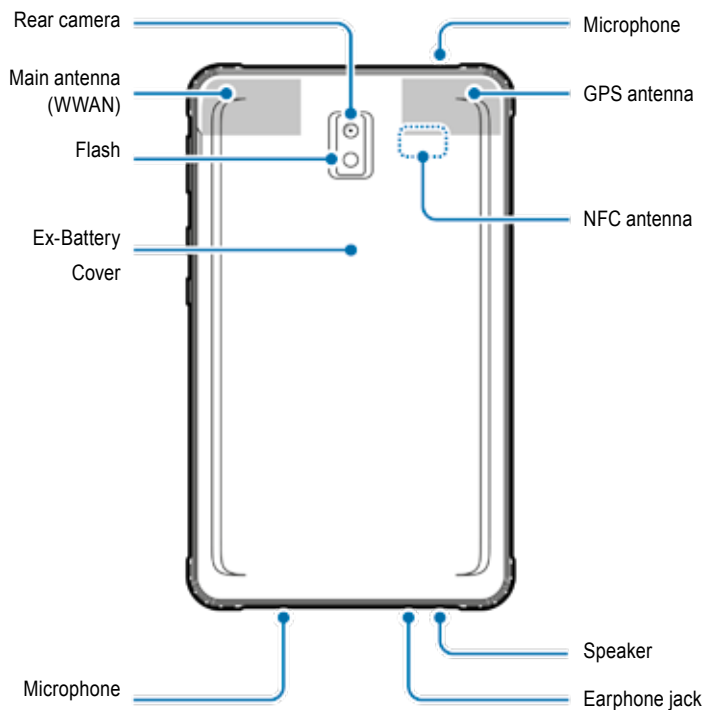
Refer to the quick start guide for package contents.

- The items supplied with the device and any available accessories may vary depending on the region or service provider.
- The supplied items are designed only for this device and may not be compatible with other devices.
- Appearances and specifications are subject to change without prior notice.
- A case is supplied to protect your device. If you want to remove the case attached to the device, it is recommended to detach it from the top corners.

Device layout (WWAN / WiFi)



Device layout (WWAN / WiFi)



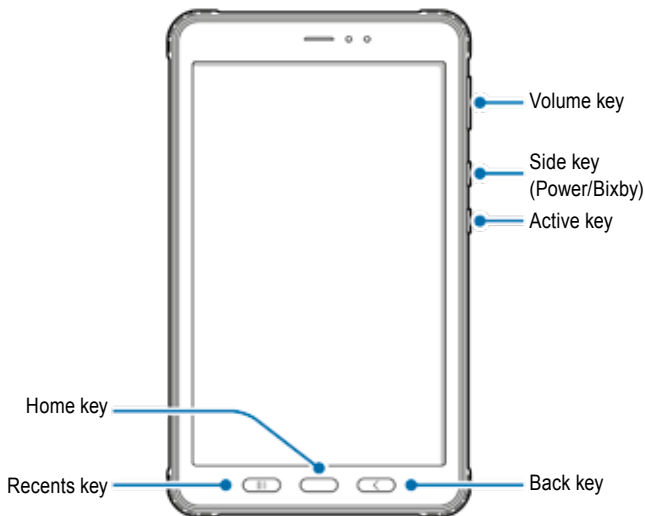


- When using the speakers, such as when playing media files or using speakerphone, do not place the device close to your ears.
- Be careful not to expose the camera lens to a strong light source, such as direct sunlight. If the camera lens is exposed to a strong light source, such as direct sunlight, the camera image sensor may be damaged. A damaged image sensor is irreparable and will cause dots or spots in pictures.
- If you use the device with its glass or acrylic body broken, there may be a risk of injury. Use the device only after it has been repaired at a ECOM Instruments GmbH Service Centre.
- If dust or foreign materials enter the microphone, speaker, or receiver, the device's sound may become quiet or certain features may not work. If you attempt to remove the dust or foreign materials with a sharp object, the device may be damaged and its appearance may be affected.



- Connectivity problems and battery drain may occur in the following situations:
 - If you attach metallic stickers on the antenna area of the device
 - If you attach a device cover made with metallic material to the device
 - If you cover the device's antenna area with your hands or other objects while using certain features, such as calls or the mobile data connection (WWAN)
- Using a Samsung-approved screen protector is recommended. Unapproved screen protectors may cause the sensors to malfunction.
- Do not cover the proximity/light sensor area with screen accessories, such as a screen protector, stickers, or a cover. Doing so may cause the sensor to malfunction.
- The light may flicker at the top of the device during calls due to proximity sensor operation.

Hard keys



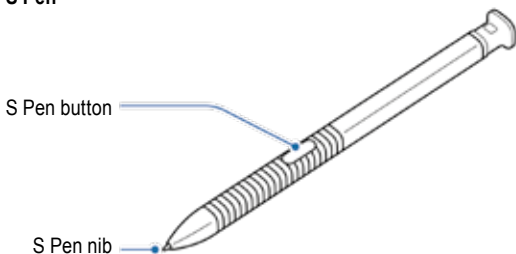
Key	Function
Volume key	<ul style="list-style-type: none">• Press to adjust the device volume.
Side key	<ul style="list-style-type: none">• When the device is off, press and hold to turn it on.• Press to turn on or lock the screen.• Press and hold to start a conversation with Bixby. Refer to Using Bixby for more information.• Press twice or press and hold to launch the app or feature you set.
Side key + Volume Down key	<ul style="list-style-type: none">• Press simultaneously to capture a screenshot.• Press and hold simultaneously to turn off the device.
Active key	<ul style="list-style-type: none">• Press or press and hold to launch preset apps.
Recents key	<ul style="list-style-type: none">• Press to open the list of recent apps.
Home key	<ul style="list-style-type: none">• Press to turn on the screen while the screen is locked.• Press to return to the Home screen.• Press and hold to launch Google Assistant app.
Back key	<ul style="list-style-type: none">• Press to return to the previous screen.

Setting the Side key

Select an app or feature to launch by pressing the Side key twice or pressing and holding the Side key.

Launch the Settings app, tap Advanced features → Side key, and then select an option you want.

S Pen



Name	Functions
S Pen nib	<ul style="list-style-type: none">• Use the S Pen to write, draw, or perform touch actions on the screen.• Hover the S Pen over items on the screen to access additional S Pen features, such as the Air view feature.
S Pen button	<ul style="list-style-type: none">• Hover the S Pen over the screen and press the S Pen button to display the Air command features.• While pressing and holding the S Pen button, drag the S Pen over items to select them.

Replacing the S Pen nib

If the nib is dull, replace it with a new one.

1 Firmly hold the nib with the tweezers and remove it.

2 Insert a new nib into the S Pen.





Be careful not to pinch your fingers with the tweezers.



- Do not reuse old nibs. Doing so may cause the S Pen to malfunction.
- Do not press the nib excessively when inserting the nib into the S Pen.
- Do not insert the round end of the nib into the S Pen.
Doing so may cause damage to the S Pen or your device.
- Do not bend or apply excessive pressure with the S Pen while using it.
The S Pen may be damaged or the nib may be deformed.
- Do not hard press on the screen with the S Pen. The pen nib may be deformed.

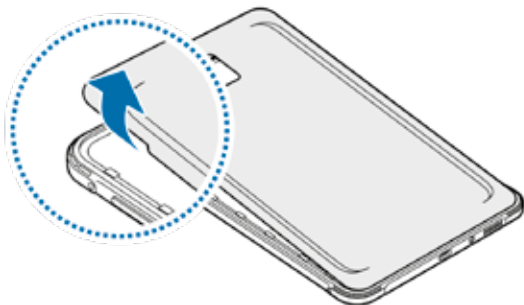


- If you use the S Pen at sharp angles on the screen, the device may not recognise the S Pen actions.
- If the S Pen is not working properly, take it to a ECOM Service Centre.

13. Battery

Installing the battery

- 1 Remove the Ex-Battery Cover.



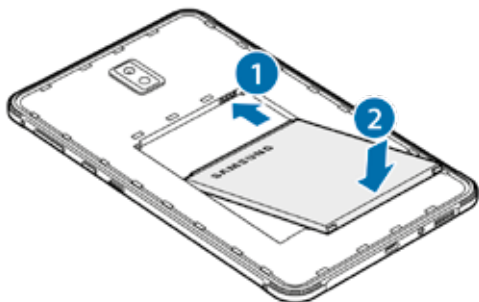


Be careful not to damage your fingernails when you remove the Ex-Battery Cover.

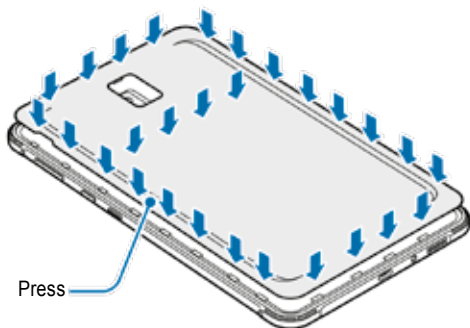


Do not bend or twist the Ex-Battery Cover excessively. Doing so may damage the cover.

- 2 Insert the battery with the battery's gold-coloured contacts properly aligned with the device's contacts.



- 3 Replace the Ex-Battery Cover.





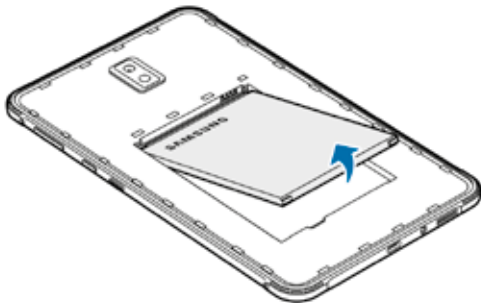
Ensure that the Ex-Battery Cover is closed tightly to prevent water and dust from entering the device. Open or loose Ex-Battery Cover may allow water and dust to enter the device and cause damage. A loose cover is not permitted in the hazardous area.



Use only ECOM-approved Ex-Battery Covers and accessories with the device.

Removing the battery

- 1 Remove the Ex-Battery Cover.
- 2 Pull out the battery.



Charging the battery

Charge the battery before using it for the first time or when it has been unused for extended periods.



Use only ECOM-approved battery, charger, and cable specifically designed for your device. Incompatible battery, charger, and cable can cause serious injuries or damage to your device. See MAS-0177 for additional battery charging safety.

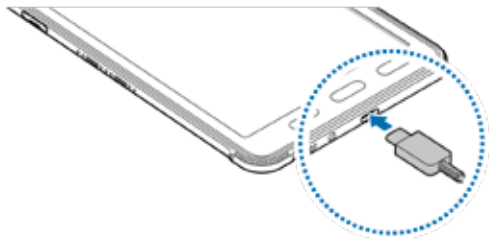


- Connecting the charger improperly may cause serious damage to the device. Any damage caused by misuse is not covered by the warranty.
- Use only USB Type-C cable supplied with the device. The device may be damaged if you use Micro USB cable.



To save energy, unplug the charger when not in use. The charger does not have a power switch, so you must unplug the charger from the electric socket when not in use to avoid wasting power. The charger should remain close to the electric socket and easily accessible while charging.

- 1 Connect the USB cable to the USB power adaptor.
- 2 Plug the USB cable into the device's multipurpose jack.



- 3 Plug the USB power adaptor into an electric socket.
- 4 After fully charging, disconnect the charger from the device. Then, unplug the charger from the electric socket.



Do not remove the battery before removing the charger. This may damage the device.

Reducing the battery consumption

Your device provides various options that help you conserve battery power.

- Optimise the device using the device care feature.
- When you are not using the device, turn off the screen by pressing the Side key.
- Activate power saving mode.
- Close unnecessary apps.
- Deactivate the Bluetooth feature when not in use.
- Deactivate auto-syncing of apps that need to be synced.
- Decrease the backlight time.
- Decrease the screen brightness.

Battery charging tips and precautions

- When the battery power is low, the battery icon appears empty.
- If the battery is completely discharged, the device cannot be turned on immediately when the charger is connected. Allow a depleted battery to charge for a few minutes before turning on the device.
- If you use multiple apps at once, network apps, or apps that need a connection to another device, the battery will drain quickly. To avoid losing power during a data transfer, always use these apps after fully charging the battery.
- Using a power source other than the charger, such as a computer, may result in a slower charging speed due to a lower electric current.
- The device can be used while it is charging, but it may take longer to fully charge the battery.
- If the device receives an unstable power supply while charging, the touchscreen may not function. If this happens, unplug the charger from the device.
- While charging, the device and the charger may heat up. This is normal and should not affect the device's lifespan or performance. If the battery gets hotter than usual, the charger may stop charging. If this occurs during wireless charging, disconnect the device from the charger to let it cool down, then charge the device again later.
- If you charge the device while the multipurpose jack is wet, the device may be damaged. Thoroughly dry the multipurpose jack before charging the device.
- If the device is not charging properly, take the device and the charger to a ECOM Service Centre.

Fast charging

The device has a built-in fast charging feature. You can charge the battery more quickly while the device or its screen is turned off.

Increasing the charging speed

To increase the charging speed, turn the device or its screen off when you charge the battery. If the fast charging feature is not activated, launch the Settings app, tap Device care → Battery → Charging, and then tap the Fast charging switch to activate it.



- While charging, you cannot activate or deactivate this feature.
- You cannot use the built-in fast charging feature when you charge the battery using a standard battery charger.
- If the device heats up or the ambient air temperature rises, the charging speed may decrease automatically. This is a normal operating condition to prevent damage to the device.

SIM or USIM card (nano-SIM card) (WWAN)

Installing the SIM or USIM card

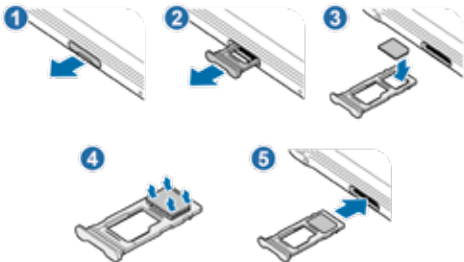
Insert the SIM or USIM card provided by the mobile telephone service provider.



- Use only a nano-SIM card.
- Use caution not to lose or let others use the SIM or USIM card. Samsung is not responsible for any damages or inconveniences caused by lost or stolen cards.



Some services that require a network connection may not be available depending on the service provider.



- 1 Pull out the tray gently from the tray slot.
- 2 Place the SIM or USIM card on the tray with the gold-coloured contacts facing downwards.
- 3 Gently press the SIM or USIM card into the tray to secure it.



If the card is not fixed firmly into the tray, the SIM card may leave or fall out of the tray.

- 4 Insert the tray back into the tray slot.



- If you insert the tray into your device while the tray is wet, your device may be damaged. Always make sure the tray is dry.
- Fully insert the tray into the tray slot to prevent liquid from entering your device.

14. Memory card (microSD card)

Installing a memory card

Your device's memory card capacity may vary from other models and some memory cards may not be compatible with your device depending on the memory card manufacturer and type. To view your device's maximum memory card capacity, refer to the Samsung website.



- Some memory cards may not be fully compatible with the device. Using an incompatible card may damage the device or the memory card, or corrupt the data stored in it.
- Use caution to insert the memory card right-side up.

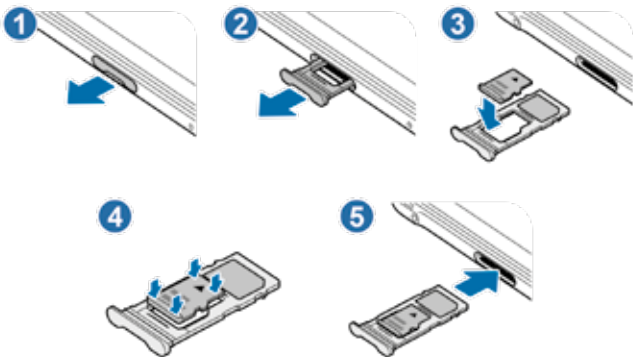


- The device supports the FAT and the exFAT file systems for memory cards. When inserting a card formatted in a different file system, the device will ask to reformat the card or will not recognise the card. To use the memory card, you must format it.

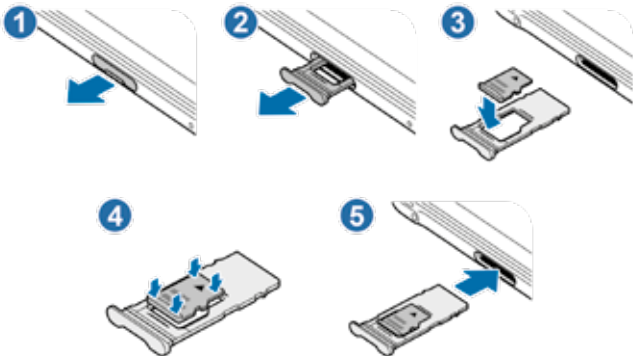
If your device cannot format or recognise the memory card, contact the memory card manufacturer or a ECOM Service Centre.

- Frequent writing and erasing of data shortens the lifespan of memory cards.
- When inserting a memory card into the device, the memory card's file directory appears in the **My Files** → **SD card folder**.

► WWAN:



► WiFi:



1 Pull out the tray gently from the tray slot.



When you remove the tray from the device, the mobile data connection will be disabled. (WWAN)

2 Place a memory card on the tray with the gold-coloured contacts facing downwards.

3 Gently press the memory card into the tray to secure it.



If the card is not fixed firmly into the tray, the memory card may leave or fall out of the tray.

4 Insert the tray back into the tray slot.



- If you insert the tray into your device while the tray is wet, your device may be damaged. Always make sure the tray is dry.
- Fully insert the tray into the tray slot to prevent liquid from entering your device.

Removing the memory card

Before removing the memory card, first unmount it for safe removal.

Launch the **Settings** app and tap **Device care** → **Storage** → **Advanced** → **SD card** → **Unmount**.



Do not remove external storage, such as a memory card or USB storage, while the device is transferring or accessing information, or right after transferring data. Doing so can cause data to be corrupted or lost or cause damage to the external storage or device. Samsung is not responsible for losses, including loss of data, resulting from the misuse of external storage devices.

Formatting the memory card

A memory card formatted on a computer may not be compatible with the device. Format the memory card on the device.

Launch the **Settings** app and tap **Device care** → **Storage** → **Advanced** → **SD card** → **Format**.

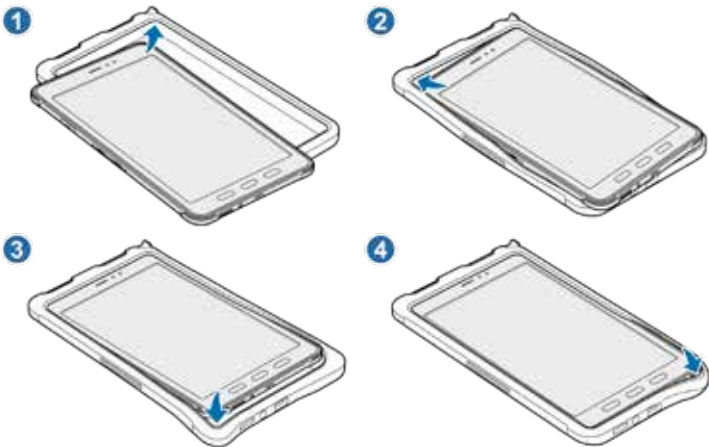


Before formatting the memory card, remember to make backup copies of all important data stored in the memory card. The manufacturer's warranty does not cover loss of data resulting from user actions.

Ex-Protective case

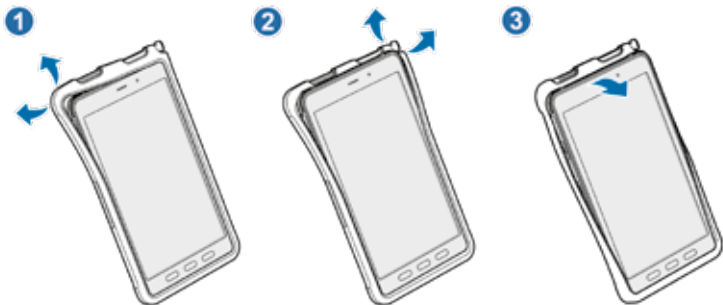
Installing the Ex-Protective case

Insert the upper part of the device into the case, and then press the edges of the bottom part one by one using both hands to firmly install it.



Removing the Ex-Protective case

With the device upright, push the edges of the upper part one by one using both hands until the device protrudes from the case and remove the device from it.



Installing the S Pen

Insert the S Pen into the top of the Ex-Protective case.



Do not insert the S Pen backwards into the Ex-Protective case.

15. Operation

Turning the device on and off



Follow all posted warnings and directions from authorised personnel in areas where the use of wireless devices is restricted, such as aeroplanes and hospitals.

Turning the device on

Press and hold the Side key for a few seconds to turn on the device.

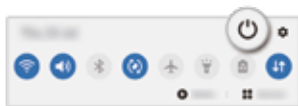
When you turn on your device for the first time or after performing a data reset, follow the on-screen instructions to set up your device.

Turning the device off

1 To turn off the device, press and hold the Side key and the Volume Down key simultaneously. Alternatively, open the notification panel and tap .



Volume Down key
Side key



2 Tap Power off.

To restart the device, tap Restart.



You can set the device to turn off when you press and hold the Side key. Launch the **Settings** app, tap **Advanced features** → **Side key**, and then tap **Power off menu** under **Press and hold**.

Forcing restart

If your device is frozen and unresponsive, press and hold the Side key and the Volume Down key simultaneously for more than 7 seconds to restart it.

Sommaire

1. Application	27
2. Précautions relatives à la sécurité	27
3. Énoncé sur l'exposition aux radiations	27
4. Bande et mode	28
5. Réparation	28
6. Insertion de la carte SIM/USIM (modèle LTE/WWAN uniquement) et de la carte microSD	28
7. Chargement de la tablette :	29
8. Remarques relatives à la sécurité de la pile.....	29
9. Nettoyage, maintenance et stockage	30
10. Mise au rebut	30
11. Garantie et responsabilité	31
12. Schéma et fonctions de l'appareil.....	31
13. Pile.....	38
14. Carte mémoire (carte microSD).....	44
15. Opération	49

Remarque :

Les instructions d'utilisation actuelles, le manuel de sécurité Ex et le certificat de conformité peuvent être téléchargés sur la page du produit concerné à l'adresse www.ecom-ex.com ou être demandés directement au fabricant.

1. Application

La Tab-Ex 03® D2 est une tablette sans incitatif résistante à l'eau, à la poussière et aux impacts pour les applications industrielles dans les zones dangereuses avec des atmosphères gazeuses et poussiéreuses qui est conforme à la norme binationale UL121201/ CSA C22.2 n° 213.

2. Précautions relatives à la sécurité

Les présentes instructions de sécurité contiennent des informations et des réglementations de sécurité qui doivent être observées. Le non-respect de ces informations et instructions peut avoir des conséquences graves et violer les réglementations. Veuillez lire attentivement le manuel de sécurité Ex MAS-0177 avant de commencer à utiliser l'appareil. En présence d'informations contradictoires, les détails précisés dans les instructions de sécurité prévaudront. En cas de doute (possibilité d'erreurs de traduction ou d'impression), la version anglaise prévaut.

3. Énoncé sur l'exposition aux radiations

⚠ Avertissement : Cet équipement est conforme à la Commission internationale de protection contre les rayonnements non ionisants (ICNIRP), à la norme IEEE C95.1, au bulletin 65 de l'OET (Federal Communications Commission Office of Engineering and Technology) et aux limites définies par le Comité européen de normalisation électrotechnique (CENELEC) d'exposition à des rayonnements radioélectriques.

Le numéro d'identification de la FCC et la marque de l'UE sont imprimés sur l'étiquette apposée sur l'appareil.

Vous devez retirer le bloc-piles pour trouver cette information.

3.1 Valeurs DAS pour les pays européens :

Les valeurs DAS indiquées ci-dessous ne sont valides que pour les appareils conçus pour être utilisés dans les pays européens. La limite de DAS est de 2,0 W/kg.

DAS maximal pour ce modèle et conditions dans lesquelles il a été obtenu :

DAS, lorsque porté sur le corps : 1.390 W/kg

DAS de tête : 1.091 W/kg

3.2 Valeurs DAS pour les États-Unis :

Les valeurs DAS indiquées ci-dessous ne sont valides que pour les appareils conçus pour être utilisés aux États-Unis. La limite de DAS est de 1,6 W/kg.

DAS maximal pour ce modèle et conditions dans lesquelles il a été obtenu :

DAS, lorsque porté sur le corps : 1.390 W/kg

Transmission simultanée : 1.58 W/kg

4. Bande et mode

Bande et mode	Puissance de sortie
EGSM900	33 dBm
DCS1800	30 dBm
WCDMA 900/2100	24 dBm
LTE 1/3/7/8/20/28/38/40	23 dBm
Wi-Fi 2,4 GHz	20 dBm
Bluetooth 2,4 GHz	20 dBm
Wi-Fi 5,1 -5,7 GHz	23 dBm
Wi-Fi 5,8 GHz	25 mW
NFC 13,56 MHz	42 dBuA/m à 10 m

L'utilisation de la bande WLAN est limitée à l'intérieur seulement.
Cette restriction sera appliquée dans tous les états membres de l'UE.

AT	BE	BG	CH	CY	CZ	DE	DK	EE	ES	EL
FI	FR	HR	HU	IE	IS	IT	LI	LT	LU	LV
MT	NL	NO	PL	PT	RO	SE	SI	SK	TR	UK

5. Réparation

Les réparations doivent être effectuées par ECOM Instruments GmbH ou par un personnel ou des centres de réparation autorisés par ECOM Instruments GmbH seulement, car la sécurité de l'appareil doit être testée une fois la réparation effectuée. Vous pouvez télécharger la fiche de rapport de réparation actuelle depuis la partie relative à l'entretien du site www.ecom-ex.com.

6. Insertion de la carte SIM/USIM (modèle LTE/WWAN uniquement) et de la carte microSD

1. Retirer le couvercle de protection Ex de l'appareil.
2. Retirer le plateau délicatement de la fente.
3. Placer la carte SIM ou USIM sur le plateau, les contacts dorés face vers le bas.
4. Appuyer sur la carte SIM USIM pour qu'elle s'enclenche en place.
5. Fixer la coque de protection Ex.

Voir aussi l'image à la page 43

7. Chargement de la tablette :

La recharge de la tablette n'est autorisée qu'en dehors des zones dangereuses!

La pile de la tablette n'est pas complètement chargée à la livraison. Avant la première utilisation, il est recommandé de la recharger pendant cinq heures. Sa pleine capacité est atteinte après 3 à 4 cycles complets de chargement/déchargement.

Remarque :

- Il existe un risque d'explosion en cas d'exposition de l'appareil à une flamme.
- Utiliser uniquement des chargeurs approuvés.

La pile usée doit être recyclée ou mise au rebut séparément des ordures ménagères. Ne pas l'incinérer.

8. Remarques relatives à la sécurité de la pile

Les piles et chargeurs endommagés ne doivent pas être utilisés. Ils doivent être envoyés à ECOM Instruments GmbH en vue de leur inspection.

Remarque :

- Les températures extrêmes peuvent affecter la capacité de charge de la pile.
- Ne pas jeter l'appareil dans le feu.
- Mettre l'appareil au rebut conformément aux règlements locaux et ne pas le jeter avec les ordures ménagères.

La pile de votre Tab-Ex® 03 est composée d'éléments ion-lithium de grande qualité. Ces piles offrent de nombreux avantages au quotidien, dont un poids léger et une capacité élevée malgré une conception compacte. Par ailleurs, elles ne présentent quasiment aucun effet mémoire. Ces piles sont toutefois soumises à un vieillissement naturel qui entrave leur fonctionnement.

De nos jours, les piles modernes ont une durée de vie d'environ 500 cycles de charge, ce qui correspond à une durée d'utilisation d'environ deux ans en cas d'utilisation quotidienne de l'appareil. Une fois cette durée de vie écoulée, le vieillissement naturel s'accélère, de sorte que les piles sont techniquement considérées comme étant défectueuses après 500 cycles de charge. De plus, les cellules de la pile peuvent gonfler et, dans le pire des cas, causer des dommages irréparables à votre appareil. Pour cette raison, il est recommandé de remplacer les piles au lithium au plus tard au bout de deux ans ou dès que la capacité de la pile atteint 50 % de sa capacité initiale.

Remarque :

La pile contenue dans cet appareil présente un risque d'incendie et peut provoquer des blessures chimiques en cas d'utilisation incorrecte. Ne jamais ouvrir ou démonter la pile ou les cellules de la pile et ne jamais les brûler ou les exposer à des températures supérieures à 60 °C.

9. Nettoyage, maintenance et stockage

- Utiliser uniquement une éponge ou un tissu adapté pour nettoyer la tablette.
- Ne pas utiliser de solvant ni d'agent abrasif pour le nettoyage.
- Il est recommandé de faire contrôler le fonctionnement et la précision de la tablette tous les deux ans par le fabricant.
- Ne pas dépasser la plage de températures de stockage de -20 °C à +60 °C

10. Mise au rebut

Les anciens appareils électriques fabriqués par ECOM Instruments GmbH seront envoyés pour élimination à nos frais, sans frais, conformément à la directive européenne 2002/96/CE. Veuillez vous conformer aux règlements municipaux en ce qui concerne l'élimination des produits électroniques. Les coûts liés au retour des appareils à ECOM Instruments GmbH sont à la charge de l'expéditeur.

Conformément à l'article 1, § 18 et à l'article 2 de la loi du 25 juin 2009 sur la nouvelle réglementation de la responsabilité pour les produits soumis au droit des déchets pour les piles et accumulateurs (Gesetz zur Neuregelung der abfallrechtlichen Produktverantwortung für Batterien und Akkumulatoren), nous sommes dans l'obligation de fournir les informations ci-après.

Votre appareil contient une pile lithium rechargeable.


Les piles „ vides „ ou les piles rechargeables qui ne peuvent plus être rechargées ne doivent pas être jetées avec les déchets normaux ni avec les déchets ménagers. Les anciennes piles peuvent contenir des substances nocives dangereuses pour la santé et l'environnement. Veuillez renvoyer ces piles rechargeables ou non. Le renvoi est gratuit. Il s'agit d'une obligation légale. Jetez les piles déchargées uniquement dans les conteneurs destinés à cet effet et collez de l'adhésif sur les terminaux des piles lithium.

Remarque :


La pile contenue dans cet appareil présente un risque d'incendie et peut provoquer des blessures chimiques en cas d'utilisation incorrecte. La pile et les cellules de la pile ne doivent jamais être ouvertes ou démontées et ne doivent pas non plus être incinérées ou exposées à des températures supérieures à 60 °C. Si la pile doit être mise au rebut, suivre la procédure décrite au point (12). Les réglementations de mise au rebut susmentionnées s'appliquent également aux appareils plus anciens.

Toutes les piles, rechargeables ou non, peuvent être recyclées. Les matériaux précieux, comme le fer, le zinc et le nickel, peuvent donc être réutilisés.



Le symbole  a la signification suivante : Ne pas mettre au rebut les anciens appareils électriques avec les déchets courants ou ménagers.



Le symbole  sur la pile, le manuel ou l'emballage indique que les piles contenues dans ce produit ne devraient pas être éliminées comme d'autres déchets ménagers à la fin de leur vie utile. Lorsque le symbole chimique Hg, Cd ou Pb figure sur la pile, cela indique que cette dernière contient une teneur en mercure, en cadmium ou en plomb supérieure au niveau de référence indiquée dans la directive européenne 2006/66/CE.

11. Garantie et responsabilité

La garantie de ce produit observe les conditions générales de livraison et de paiement de ECOM Instruments GmbH qui sont disponibles à www.ecom-ex.com; vous pouvez aussi vous procurer celles-ci directement du fabricant.

L'accord de niveau de service en option peut prolonger cette garantie.

12. Schéma et fonctions de l'appareil

Contenu du paquet

Veuillez vous reporter au guide de démarrage rapide pour plus de détails sur le contenu du paquet.

- Les articles fournis avec l'appareil et les accessoires offerts peuvent varier selon la région ou le fournisseur de service.
- Les articles fournis sont uniquement conçus pour cet appareil et pourraient ne pas être compatibles avec d'autres appareils.
- Les apparences et les spécifications peuvent être modifiées sans préavis.
- Un boîtier est fourni pour protéger votre appareil. Si vous souhaitez retirer le boîtier de l'appareil, il est recommandé de le détacher à partir des coins supérieurs.

Schéma de l'appareil (WWAN / WiFi)

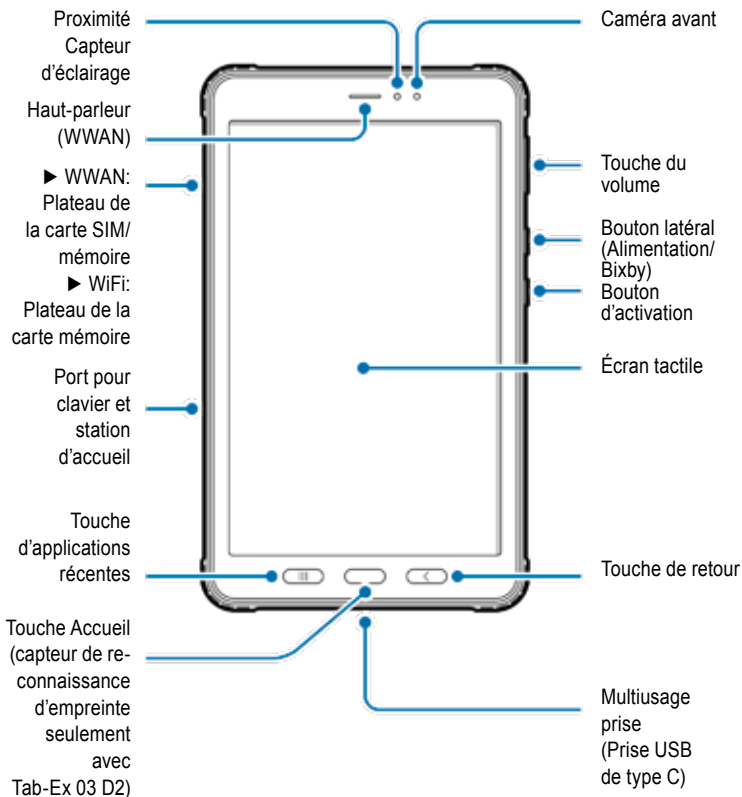
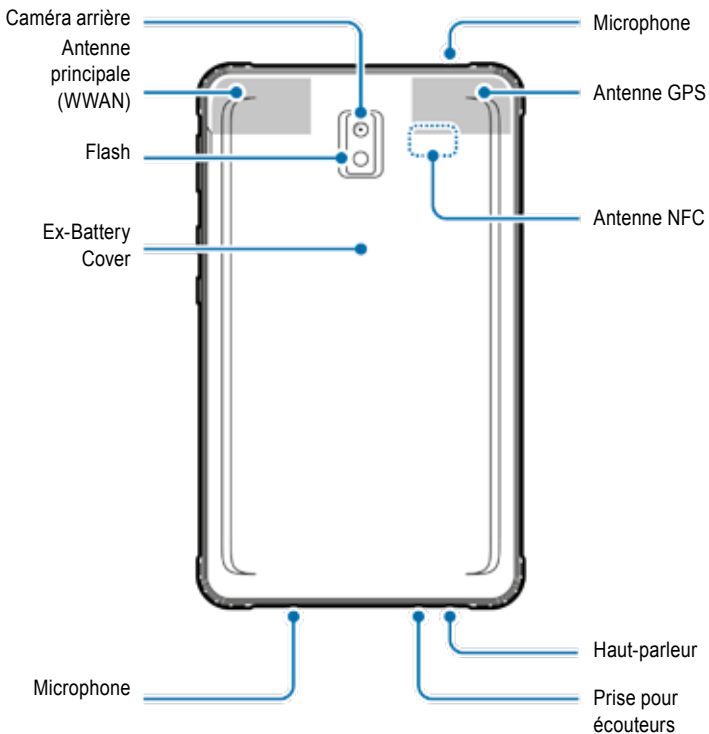


Schéma de l'appareil (WWAN / WiFi)



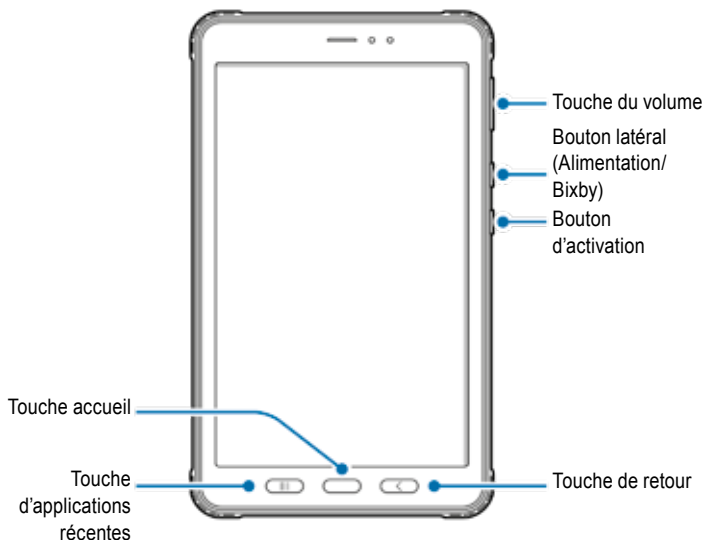


- Lorsque vous utilisez les haut-parleurs, par exemple pour lire des fichiers multimédias ou utiliser le mains-libres, assurez-vous de ne pas placer l'appareil près de vos oreilles.
- Assurez-vous également de ne pas exposer la lentille de la caméra à une forte source lumineuse, comme aux rayons directs du soleil. Exposer la lentille à une forte source lumineuse pourrait endommager le capteur d'image de la caméra. Un capteur d'image endommagé ne pourra être réparé et entraînera l'apparition de points ou de taches dans les images.
- Si l'appareil est utilisé même si sa vitre ou son boîtier en acrylique est brisé, cela pourrait entraîner des blessures. L'appareil ne doit être utilisé qu'une fois qu'il aura été réparé dans un centre de service de ECOM Instruments GmbH.
- Le son de l'appareil peut sembler atténuer et certaines fonctionnalités peuvent ne pas fonctionner si de la poussière ou des matières étrangères pénètrent dans le micro, le haut-parleur ou le récepteur. L'appareil peut être endommagé et son apparence peut être affectée si vous tentez de retirer de la poussière ou des matières étrangères



- Des problèmes de connectivité et un vidage de la pile peuvent se produire dans les situations suivantes :
 - Si des adhésifs avec métal sont installés sur la zone d'antenne de l'appareil;
 - Si un couvercle fait d'un matériel métallique est installé sur l'appareil;
 - Si certaines fonctionnalités comme les appels ou la connexion de données mobiles (WWAN) sont utilisées alors que vos mains ou tout autre objet recouvrent l'antenne de l'appareil;
- Il est recommandé d'utiliser un protecteur d'écran approuvé par Samsung. Les protecteurs d'écran non approuvés pourraient entraîner le dysfonctionnement des capteurs.
- Ne pas couvrir le capteur de proximité/éclairage avec des accessoires pour écran, comme un protecteur d'écran ou des autocollants ou un couvercle. Cela pourrait entraîner le dysfonctionnement du capteur.
- Le témoin lumineux dans le haut de l'appareil peut clignoter durant les appels étant donné le fonctionnement du capteur de proximité.

Touches dures



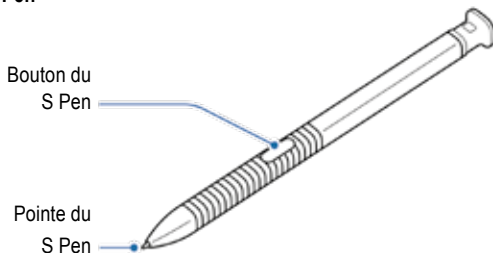
 Touche 	 Fonction
Touche du volume	<ul style="list-style-type: none">• Appuyer pour ajuster le volume de l'appareil.
Bouton latéral	<ul style="list-style-type: none">• Lorsque l'appareil est éteint, appuyer longuement sur ce bouton pour l'allumer.• Appuyer pour allumer ou verrouiller l'écran.• Appuyer longuement sur ce bouton pour commencer une conversation avec Bixby. Veuillez vous reporter à la section Utilisation de Bixby pour plus de détails.• Appuyer à deux reprises sur une application pour la lancer ou sur une fonctionnalité pour la configurer.
Bouton latéral + bouton pour baisser le volume	<ul style="list-style-type: none">• Appuyer simultanément sur ces deux boutons pour enregistrer une capture d'écran.• Appuyer longuement simultanément sur ces deux boutons pour éteindre l'appareil.
Bouton d'activation	<ul style="list-style-type: none">• Appuyer ou appuyer longuement sur ce bouton pour lancer les applications préconfigurées.

Touche d'applications récentes	• Appuyer pour ouvrir la liste des applications récentes.
Touche accueil	<ul style="list-style-type: none"> • Appuyer pour allumer l'écran lorsqu'il est verrouillé. • Appuyer pour revenir à l'écran d'accueil. • Appuyer longuement pour lancer l'application Assistant Google.
Touche de retour	• Appuyer pour revenir à l'écran précédent.

Réglage du bouton latéral

Appuyer à deux reprises sur le bouton latéral ou appuyer longuement sur le bouton latéral pour sélectionner une application à lancer ou activer une fonctionnalité. Lancer l'application Settings (Paramètres), appuyer sur Advanced features (Fonctionnalités avancées) → Side key (Bouton latéral), puis sélectionner l'option voulue.

S Pen



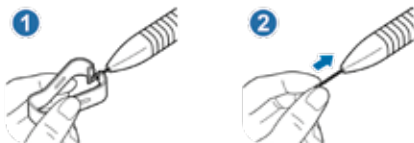
Nom	Fonctions
Pointe du S Pen	<ul style="list-style-type: none"> • Le S Pen est utilisé pour écrire, dessiner ou effectuer différentes actions tactiles sur l'écran. • Passer le S Pen au-dessus des différents éléments sur l'écran pour accéder à d'autres fonctionnalités du S Pen comme la fonctionnalité d'affichage Air view.
Bouton du S Pen	<ul style="list-style-type: none"> • Passer le S Pen sur l'écran avant d'appuyer sur le bouton du S Pen pour afficher les fonctions de commande Air command. • Lorsque vous appuyez longuement sur le bouton du S Pen, glissez le S Pen sur les différents éléments pour les sélectionner.

Remplacer la pointe du S Pen

Si la pointe est usée, veuillez la remplacer par une nouvelle pointe.

1 Tenir fermement la pointe avec de petites pinces pour la retirer.

2 Insérer une nouvelle pointe dans le S Pen.



Faire bien attention de ne pas se pincer les doigts avec les petites pinces.



- Ne pas réutiliser les anciennes pointes. Cela pourrait entraîner le dysfonctionnement du S Pen.
- Ne pas trop appuyer sur la pointe au moment de l'insérer dans le S Pen.
- Ne pas insérer l'extrémité ronde de la pointe dans le S Pen. Cela pourrait entraîner endommager le S Pen ou votre appareil.
- Ne pas plier ou appliquer une pression excessive au S Pen en l'utilisant. Le S Pen peut être endommagé ou la pointe peut être déformée.
- Ne pas appuyer fort sur l'écran avec le S Pen. Cela pourrait déformer la pointe.

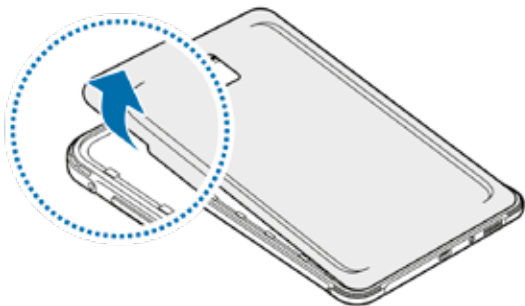


- Utiliser le S Pen à angle droit sur l'écran pourrait empêcher l'appareil de reconnaître les actions du S Pen.
- Si le S Pen ne fonctionne pas de façon appropriée, veuillez l'apporter au centre de service de ECOM.

13. Pile

Installation de la pile

1 Retirer le Ex-Battery Cover.

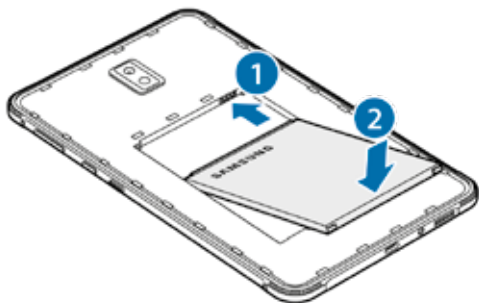


Faire attention à ne pas vous abimer les ongles lorsque vous retirez le panneau arrière.

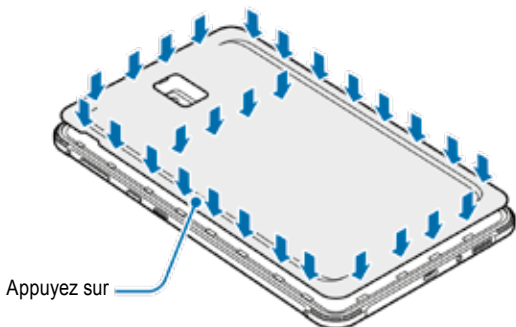


Ne pas trop courber ou déformer le panneau arrière. Le faire pourrait l'endommager.

2 Insérer la pile en vous assurant que les contacts de couleur dorée sont bien alignés avec ceux de l'appareil.



3 Replacer le Ex-Battery Cover.



Veillez vous assurer que le Ex-Battery Cover est bien fermé pour empêcher l'eau et la poussière de pénétrer dans l'appareil. Un panneau arrière ouvert ou mal fermé pourra permettre à l'eau et la poussière d'entrer dans l'appareil, ce qui pourra l'endommager. Une Ex-Battery Cover non fixée est autorisée dans la zone dangereuse.

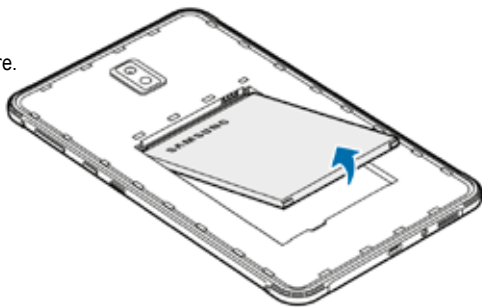


Utiliser uniquement des panneaux arrière et des accessoires approuvés par ECOM avec l'appareil

Retrait de la pile

1 Retirer le panneau arrière.

2 Retirer la pile.



Charger la pile

Charger la pile avant d'utiliser l'appareil pour la première fois ou lorsque la tablette n'a pas été utilisée pendant de longues périodes.



Utiliser seulement des piles, des chargeurs et des câbles spécifiquement conçus pour votre appareil et approuvés par ECOM. Toute pile, tout chargeur ou tout câble incompatible pourra entraîner des blessures graves ou endommager votre appareil. Voir MAS-0177 pour plus de sécurité concernant la charge des batteries.



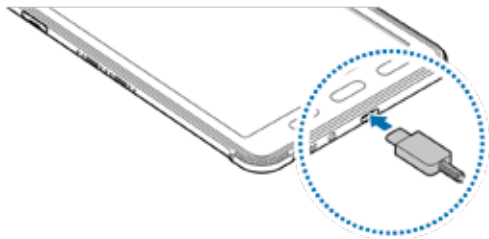
- Une mauvaise connexion du chargeur pourrait gravement endommager l'appareil. La garantie ne couvre pas les dommages dus à un usage abusif.
- Utiliser uniquement le câble USB de type C fourni avec l'appareil. L'utilisation de tout câble micro-USB pourrait endommager l'appareil.



Pour économiser l'énergie, débrancher le chargeur lorsqu'il ne sert pas. Le chargeur n'a pas d'interrupteur, vous devez donc le débrancher lorsqu'il ne sert pas afin d'économiser l'énergie. Il doit rester près de la prise électrique et facilement accessible pour la charge.

1 Connecter le câble USB à l'adaptateur d'alimentation USB.

2 Brancher le câble USB dans la prise polyvalente de l'appareil.



3 Brancher l'adaptateur d'alimentation USB dans une prise électrique.

4 Une fois la charge terminée, déconnecter le chargeur de l'appareil.
Débrancher ensuite le chargeur de la prise électrique.



Ne pas retirer la pile avant d'enlever le chargeur.

Ceci peut endommager l'appareil.

Réduire la consommation de la pile

Votre appareil offre différentes options qui permettent de conserver l'énergie provenant de la pile.

- Optimiser l'appareil en utilisant la fonctionnalité d'entretien de l'appareil.
- Lorsque l'appareil n'est pas utilisé, éteindre l'écran en appuyant sur le bouton latéral de l'appareil.
- Activer le mode d'économie d'alimentation.
- Fermer les applications inutiles.
- Désactiver la fonctionnalité Bluetooth quand elle n'est pas utilisée.
- Désactiver la synchronisation automatique des applications qui doivent être synchronisées.
- Réduire la durée du rétroéclairage.
- Réduire la luminosité de l'écran.

Conseils et précautions pour la recharge de la pile

- Quand la pile est faible, son icône apparaît comme vide.
- Si la pile est complètement déchargée, l'appareil ne peut être mis en marche immédiatement après que le chargeur est connecté. Recharger une pile vide pendant quelques minutes avant de mettre l'appareil en marche.
- Si plusieurs applications sont utilisées en même temps, ou si des applications de réseau ou des applications qui ont besoin d'être raccordées à un autre appareil sont utilisées en même temps, la pile se videra rapidement. Pour éviter de perdre l'alimentation lors d'un transfert de données, utiliser toujours ces différentes applications après avoir chargé complètement la pile.
- Utiliser une source d'alimentation autre que le chargeur, comme un ordinateur, pourra entraîner une vitesse de recharge plus lente en raison d'un plus faible courant électrique.
- L'appareil peut être utilisé pendant la charge de la pile, mais celle-ci mettra plus de temps à être complètement chargée.

- Si l'alimentation de l'appareil est instable pendant la charge, l'écran tactile pourrait ne pas fonctionner. Dans ce cas, débrancher le chargeur.
- Lors de la recharge, l'appareil et le chargeur pourront chauffer. C'est normal et cela ne devrait pas affecter sa durée de vie ni sa performance. Si la pile surchauffe, le chargeur pourrait s'arrêter de charger. Si cela se produit pendant la recharge sans fil, débrancher l'appareil du chargeur pour le laisser refroidir, avant de reprendre la recharge plus tard.
- Si l'appareil est mis en charge alors que la prise polyvalente est mouillée, cela pourrait endommager l'appareil.
Veuillez sécher entièrement la prise polyvalente avant de recharger l'appareil.
- En cas de charge incorrecte, apporter l'appareil et le chargeur à un centre de service ECOM.

Recharge rapide

L'appareil comprend une fonctionnalité intégrée de recharge rapide. Vous pouvez charger la pile plus rapidement lorsque l'appareil ou son écran est éteint.

Augmentation de la vitesse de recharge

Pour augmenter la vitesse de recharge, éteindre l'appareil ou son écran pendant la recharge. Si la fonction de recharge rapide n'est pas activée, accéder à Settings (Paramètres), appuyer sur Device care (Entretien de l'appareil) → Battery (Pile) → Charging (Chargement), puis appuyer sur le commutateur Fast charging (Recharge rapide) pour l'activer.



- Pendant la recharge, cette fonctionnalité ne pourra ni être activée ni désactivée.
- La fonctionnalité intégrée de recharge rapide ne peut être utilisée lorsque la pile est rechargée avec un chargeur de pile standard.
- Si l'appareil devient chaud ou si la température ambiante augmente, la vitesse de recharge pourra diminuer automatiquement. Il s'agit d'une condition d'utilisation normale pour empêcher d'endommager l'appareil.

Carte SIM ou USIM (carte nano-SIM) (WWAN)

Installation de la carte SIM ou USIM

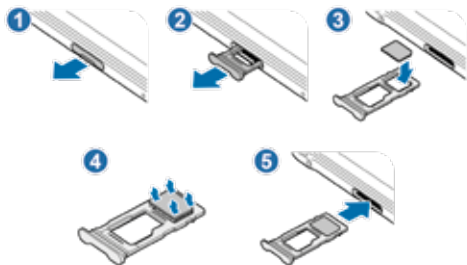
Insérer la carte SIM ou USIM fournie par le fournisseur de service de téléphonie mobile.



- Utiliser uniquement une carte nano-SIM.
- Faire attention à ne pas perdre la carte SIM ou USIM et à ne pas laisser d'autres personnes l'utiliser. Samsung n'est pas responsable des dommages ou des désagréments causés par des cartes perdues ou volées.



Certains services exigeant une connexion réseau pourraient ne pas être disponibles en fonction du fournisseur de service.



- 1 Retirer le plateau délicatement de la fente.
- 2 Placer la carte SIM ou USIM sur le plateau, les contacts dorés face vers le bas.
- 3 Appuyer sur la carte SIM USIM pour qu'elle s'enclenche en place.



La carte peut s'éjecter ou tomber du plateau si elle n'est pas bien en place.

- 4 Insérer le plateau délicatement dans la fente.



- Votre appareil peut être endommagé si le plateau est inséré dans votre appareil en étant mouillé. S'assurer que le plateau est sec.
- Insérer le plateau complètement dans la fente pour empêcher le liquide de pénétrer dans l'appareil.

14. Carte mémoire (carte microSD)

Installation d'une carte mémoire

La capacité de la carte mémoire de l'appareil peut varier par rapport aux autres modèles et certaines cartes mémoire peuvent ne pas être compatibles avec cet appareil, selon le fabricant et le type de la carte mémoire. Pour afficher la capacité de stockage maximale de la carte mémoire de l'appareil, veuillez vous reporter au site Web de Samsung.

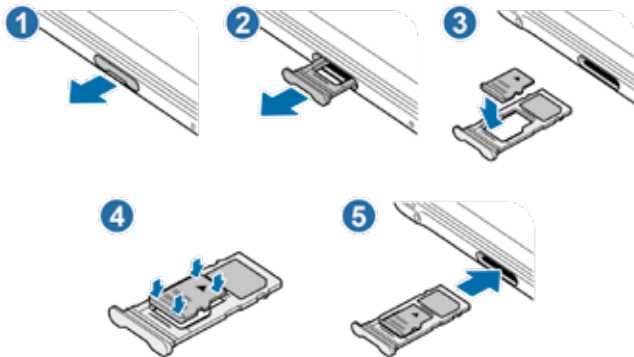


- Certaines cartes mémoire pourraient ne pas être compatibles avec l'appareil. L'utilisation d'une carte incompatible pourrait endommager l'appareil ou la carte mémoire ou corrompre les données qui y sont stockées.
- Faire attention à insérer la carte mémoire, le côté droit vers le haut.

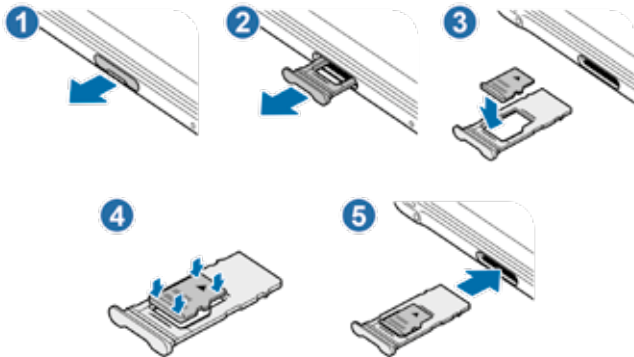


- L'appareil prend en charge les systèmes de fichiers FAT et exFAT pour les cartes mémoire.
Lors de l'insertion d'une carte formatée dans un système de fichiers différent, l'appareil demandera de reformater la carte ou ne reconnaîtra pas la carte. Une carte mémoire doit être formatée avant de pouvoir être utilisée.
Si l'appareil ne peut formater la carte ou ne la reconnaît pas, veuillez communiquer avec le fabricant de la carte ou un centre de service de ECOM.
- L'écriture et l'effacement fréquents de données réduit la durée de vie des cartes mémoires
- Lors de l'insertion d'une carte mémoire dans l'appareil, le répertoire de fichiers de la carte s'affiche dans le dossier **My Files** (Mes fichiers) → **SD card** (Carte SD).

► WWAN:



► WiFi:



1 Retirer le plateau délicatement de la fente.



Lorsque le plateau est retiré de l'appareil, la connexion aux données mobiles sera désactivée. (WWAN)

2 Placer la carte mémoire sur le plateau, les contacts dorés face vers le bas.

3 Appuyer sur la carte mémoire pour qu'elle s'enclenche en place.



La carte mémoire peut s'éjecter ou tomber du plateau si elle n'est pas bien en place.

4 Insérer le plateau délicatement dans la fente.



- Votre appareil peut être endommagé si le plateau est inséré dans votre appareil en étant mouillé. S'assurer que le plateau est sec.
- Insérer le plateau complètement dans la fente pour empêcher le liquide de pénétrer dans l'appareil.

Retirer la carte mémoire

Avant de retirer la carte mémoire, la démonter pour un retrait sécuritaire.

Lancer l'application **Settings** (Paramètres) et appuyer sur **Device care** (Entretien de l'appareil) → **Storage** (Stockage) → **Advanced** (Avancé) → **SD card** (Carte SD) →

Unmount (Démonter).



Ne pas retirer le stockage externe, comme une carte mémoire ou du stockage USB pendant que l'appareil transfère de l'information ou y accède, ou tout de suite après le transfert des données.

Cela pourra entraîner la perte ou la corruption de données ou endommager le stockage externe ou l'appareil.

Samsung n'est pas responsable de quelque perte que ce soit, y compris la perte de données découlant de la mauvaise utilisation des appareils de stockage externes.

Formater la carte mémoire

Une carte mémoire formatée sur un ordinateur pourrait ne pas être compatible avec l'appareil. Formater la carte mémoire sur l'appareil

Lancer l'application **Settings** (Paramètres) et appuyer sur **Device care** (Entretien de l'appareil) → **Storage** (Stockage) → **Advanced** (Avancé) → **SD card** (Carte SD) → **Format** (Formater).



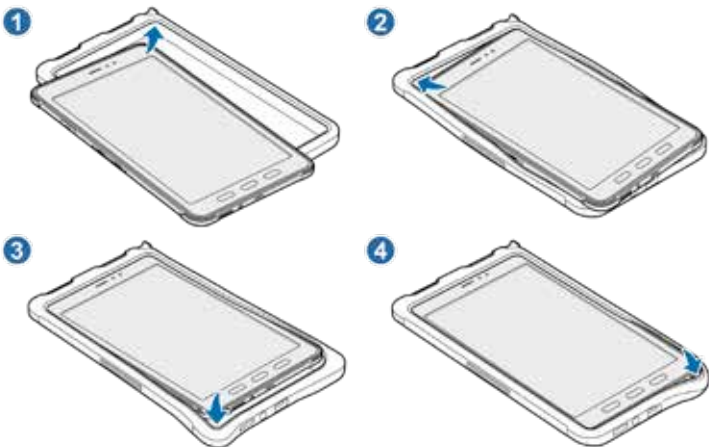
Avant de formater la carte mémoire, ne pas oublier de faire des copies de sauvegarde de toutes les données importantes stockées sur la carte mémoire.

La garantie du fabricant ne couvre pas la perte de données résultant des actions de l'utilisateur.

Ex-Protective case

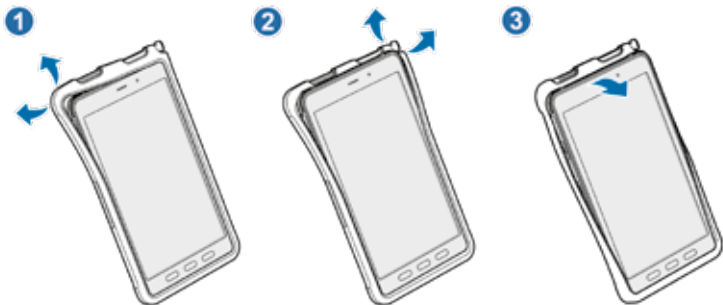
Installer le Ex-Protective case

Insérer la partie supérieure de l'appareil dans le Ex-Protective case sur les rebords de la partie inférieure en utilisant les deux mains pour l'installer correctement.



Retirer le Ex-Protective case

Avec l'appareil en position verticale, appuyer sur les rebords de la partie supérieure un après l'autre en utilisant les deux mains jusqu'à ce que l'appareil se dégage du boîtier, puis le retirer.



Installer le S Pen

Insérer le S Pen dans le haut du Ex-Protective case.



Ne pas insérer le S Pen à l'envers dans le Ex-Protective case.

15. Opération

Mettre l'appareil en marche et l'arrêter



Suivre tous les avertissements affichés et toutes les instructions du personnel autorisé dans les zones où l'utilisation des appareils sans fil est restreinte, comme les avions et les hôpitaux.

Mettre l'appareil en marche

Appuyer longuement sur le bouton latéral pendant quelques secondes pour mettre l'appareil en marche.

Lors de la première mise en marche de l'appareil ou après une réinitialisation des données, suivre les instructions à l'écran pour le configurer.

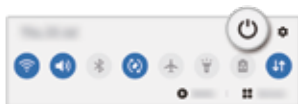
Éteindre l'appareil

1 Pour éteindre l'appareil, appuyer longuement et simultanément sur le bouton latéral et le bouton pour baisser le volume.

Il est aussi possible d'ouvrir le panneau de notification et d'appuyer sur .



bouton pour
baisser le volume
Bouton latéral



2 Appuyer sur Power off (Éteindre).

Pour redémarrer l'appareil, appuyer sur Restart (Redémarrer).



L'appareil peut être configuré pour s'éteindre lorsque l'utilisateur appuie longuement sur le bouton latéral. Lancer l'application

Settings (Paramètres), appuyer sur **Advanced features** (Fonctions avancées) → **Side key** (Touche latérale), puis appuyer sur **Power off menu** (Menu d'arrêt) sous **Press and hold** (Appuyer longuement).

Redémarrage forcé

Si l'appareil est gelé et ne répond pas, veuillez appuyer longuement et simultanément sur le bouton latéral et le bouton pour baisser le volume pendant plus de 7 secondes pour le redémarrer.

Índice

1. Aplicación	52
2. Precauciones de seguridad	52
3. Declaración de exposición a la radiación.....	52
4. Banda y modo	53
5. Reparación	53
6. Colocación de la tarjeta SIM/USIM (solo para el modelo con LTE/WWAN) y la tarjeta microSD	53
7. Carga de la tableta	54
8. Precauciones de seguridad relacionadas con la batería.....	54
9. Limpieza, mantenimiento y almacenamiento	55
10. Eliminación.....	55
11. Garantía y responsabilidad	56
12. Diseño y funciones del dispositivo.....	56
13. Batería.....	64
14. Tarjeta de memoria (tarjeta microSD)	70
15. Operación	75

Nota:

Estas Instrucciones de uso, el Manual de seguridad contra explosiones y el Certificado de conformidad están disponibles para su descarga a través de la página correspondiente al producto del sitio web www.ecom-ex.com, o bien pueden solicitarse directamente al fabricante.

1. Aplicación

La Tab-Ex 03® D2 es una tableta no incentivada resistente al agua, al polvo y a los impactos para su aplicación industrial en zonas peligrosas con atmósferas gaseosas o de polvo según la norma binacional UL121201/CSA C22.2 n° 213.

2. Precauciones de seguridad

Estas instrucciones de seguridad contienen información y normas de seguridad que se deben respetar. Ignorar dicha información y las instrucciones descritas a continuación podría derivar en consecuencias graves y la infracción de determinadas normas. Lea este Manual de seguridad contra explosiones MAS-0177 detenidamente antes de usar el dispositivo por primera vez. En caso de información contradictoria, prevalecerá la descrita como parte de las precauciones de seguridad. En caso de duda (derivada de un error de traducción o impresión), prevalecerá la versión redactada en inglés de este documento.

3. Declaración de exposición a la radiación

⚠ Advertencia: Este equipo cumple con el dictamen de la Comisión Internacional para la Protección contra las Radiaciones No Ionizantes (ICNIRP), IEEE C95.1, el Boletín 65 de la Comisión Federal de Comunicaciones, Oficina de Ingeniería y Tecnología (OET) y los límites establecidos por el Comité Europeo de Normalización Electrotécnica (CENELEC) sobre la exposición a la radiación de radiofrecuencia (RF). La ID de FCC y la marca CE están impresas en la etiqueta del dispositivo. Se debe retirar la batería para encontrar la información.

3.1 Valores SAR para países europeos:

Los valores SAR que se indican a continuación son solo para dispositivos desarrollados para su uso en países europeos. El límite de SAR es de 2.0 W/kg.

El SAR máximo para este modelo y las condiciones bajo las cuales fue registrado:

SAR de uso corporal: 1,390 W/kg

SAR de cabeza: 1,091 W/kg

3.2 Valores SAR para EE.UU.:

Los valores SAR que se indican a continuación son solo para dispositivos desarrollados para su uso en EE.UU.

El límite de SAR es de 1.6 W/kg.

El SAR máximo para este modelo y las condiciones bajo las cuales fue registrado:

SAR de uso corporal: 1,390 W/kg

Transmisión simultánea: 1,58 W/kg

4. Banda y modo

Banda y modo	Potencia de salida
EGSM900	33 dBm
DCS1800	30 dBm
WCDMA 900/2100	24 dBm
LTE 1/3/7/8/20/28/38/40	23 dBm
Wi-Fi 2,4 GHz	20 dBm
Bluetooth 2,4 GHz	20 dBm
Wi-Fi 5,1-5,7 GHz	23 dBm
Wi-Fi 5,8 GHz	25 mW
NFC 13,56 MHz	42 dBuA/m a 10 m

El uso de la banda WLAN está restringido exclusivamente al uso en interiores. Esta restricción se aplicará en todos los Estados miembros de la UE.

AT	BE	BG	CH	CY	CZ	DE	DK	EE	ES	EL
FI	FR	HR	HU	IE	IS	IT	LI	LT	LU	LV
MT	NL	NO	PL	PT	RO	SE	SI	SK	TR	UK

5. Reparación

A causa de la necesidad de verificar la seguridad del dispositivo una vez reparado, las reparaciones deben ser llevadas a cabo únicamente por ECOM Instruments GmbH o por un técnico o centro de asistencia autorizado por ECOM Instruments GmbH. El formulario de solicitud de reparación está disponible para su descarga en la sección de servicio del sitio web www.ecom-ex.com.

6. Colocación de la tarjeta SIM/USIM (solo para el modelo con LTE/WWAN) y la tarjeta microSD

1. Quite la carcasa protectora Ex del dispositivo.
2. Extraiga la bandeja con cuidado de la ranura correspondiente.
3. Inserte la tarjeta SIM o USIM en la bandeja con los contactos dorados hacia abajo.
4. Presione ligeramente la tarjeta SIM o USIM en la bandeja para que quede fija.
5. Coloque la carcasa protectora Ex.

Véase también la imagen de la página 69

7. Carga de la tableta

Se prohíbe la carga de la tableta en áreas peligrosas.

La batería suministrada con la tableta no se entrega totalmente cargada. Se recomienda cargar la tableta durante cinco horas antes de usarla por primera vez. La batería alcanza su capacidad máxima tras 3 o 4 ciclos de carga y descarga completos.

Nota:

- La batería podría explotar si se expone el aparato a una llama.
- Solo deben utilizar cargadores homologados por ecom.

Cuando la vida útil de la batería de litio suministrada termine, recíclela o deséchela separada de los residuos domésticos. No incinere la batería.

8. Precauciones de seguridad relacionadas con la batería

Debe evitarse el uso de baterías y cargadores averiados; los componentes en mal estado deben enviarse a ECOM Instruments GmbH para su inspección.

Nota:

- Las temperaturas extremas pueden afectar negativamente al proceso de carga del módulo de batería.
- No arroje el aparato al fuego.
- Deseche el dispositivo respetando las normativas locales en vigor. No lo trate como residuos domésticos habituales.

En su Tab-Ex® 03 se emplean baterías de iones de litio de alta calidad. Dichas baterías tienen muchas ventajas en el uso diario, por ejemplo, su bajo peso y su alta capacidad, no obstante lo compacto del diseño. Además las baterías no presentan apenas efecto memoria. Sin embargo, en estas baterías se produce también un envejecimiento natural, el cual podría perjudicar su funcionamiento. Las baterías modernas tienen hoy en día una vida útil de aproximadamente 500 ciclos de carga, lo que en un uso diario significa una capacidad de funcionamiento de unos dos años. Transcurrido este tiempo, el proceso de envejecimiento aumenta rápidamente, de forma que después de los 500 ciclos de carga las baterías se considerarán técnicamente defectuosas. Así mismo, las baterías podrían inflarse y, en el peor de los casos, causar daños irreparables en el dispositivo. Por este motivo, las baterías recargables se deben sustituir por baterías de litio al cabo de 2 años como máximo o una vez alcanzado el 50 % de la capacidad inicial.

Nota:

Las baterías que emplea este dispositivo representan un riesgo de incendio y pueden provocar lesiones químicas si se usan de forma incorrecta. No abra ni desmonte la batería o las celdas de la batería; no la quemé ni la someta a temperaturas superiores a 60 °C.

9. Limpieza, mantenimiento y almacenamiento

- Utilice únicamente un paño o esponja apropiada para limpiar la tableta.
- No use disolventes ni detergentes agresivos para llevar a cabo la limpieza.
- Se recomienda pedir al fabricante que compruebe la funcionalidad y precisión del aparato cada dos años.
- Asegúrese de que la temperatura de almacenamiento no exceda el intervalo comprendido entre -20 °C y +60 °C.

10. Eliminación

Los dispositivos eléctricos antiguos de ECOM Instruments GmbH pueden ser depositados en nuestras instalaciones sin cargo alguno de acuerdo a la Directiva Europea 2002/96/EC. Respete las normativas locales acerca de la eliminación de productos electrónicos. Los costes derivados de la devolución de dispositivos a ECOM Instruments GmbH correrán a cuenta del remitente.

De acuerdo con el apartado 18 del artículo 1 y el artículo 2 de la nueva ley acerca de la eliminación responsable de baterías y acumuladores (Gesetz zur Neuregelung der abfallrechtlichen Produktverantwortung für Batterien und Akkumulatoren) del 25 de junio de 2009, es nuestra obligación proporcionar la siguiente información.

Su dispositivo contiene una batería de litio recargable.


Las baterías agotadas o recargables que no se pueden recargar no se deben eliminar junto con los residuos domésticos o convencionales en ningún caso. Las baterías antiguas pueden contener sustancias perjudiciales que podrían resultar peligrosas para la salud y dañar el medio ambiente. Devuelva las baterías usadas/recargables. La devolución es gratuita y obligatoria de acuerdo con la ley. Elimine las baterías descargadas en los contenedores adecuados y cubra con cinta adhesiva los polos de las baterías de litio.

Nota:


Las baterías que emplea este dispositivo representan un riesgo de incendio y pueden provocar lesiones químicas si se usan de forma incorrecta. No abra ni desmonte las baterías ni las celdas de batería; no las queme ni las someta a temperaturas superiores a 60 °C. Si es necesario desechar la batería, puede extraerse tal como se describe en el apartado (12). Las normas de eliminación descritas anteriormente son válidas también para dispositivos antiguos.

Todas las baterías y baterías recargables se pueden reciclar. Contienen valiosas materias primas, como hierro, cinc y níquel, que se pueden reutilizar.



El símbolo  tiene el significado siguiente: Los dispositivos eléctricos antiguos no deben ser eliminados junto a residuos domésticos o convencionales.



Este símbolo  en la batería, manual o embalaje, indica que las baterías del producto se deben desechar separadas de los residuos domésticos al llegar al final de su vida útil. Cuando existe la identificación, los símbolos químicos Hg, Cd o Pb indican que la batería contiene mercurio, cadmio o plomo en unos niveles superiores a los de referencia según la Directiva CE 2006/66.

11. Garantía y responsabilidad

La garantía de este producto respeta las Condiciones generales de entrega y pago de ECOM Instruments GmbH, que se encuentran disponibles en www.ecom-ex.com, o que pueden solicitarse directamente al fabricante.

La presente garantía puede extenderse con el Acuerdo de nivel de servicio opcional.

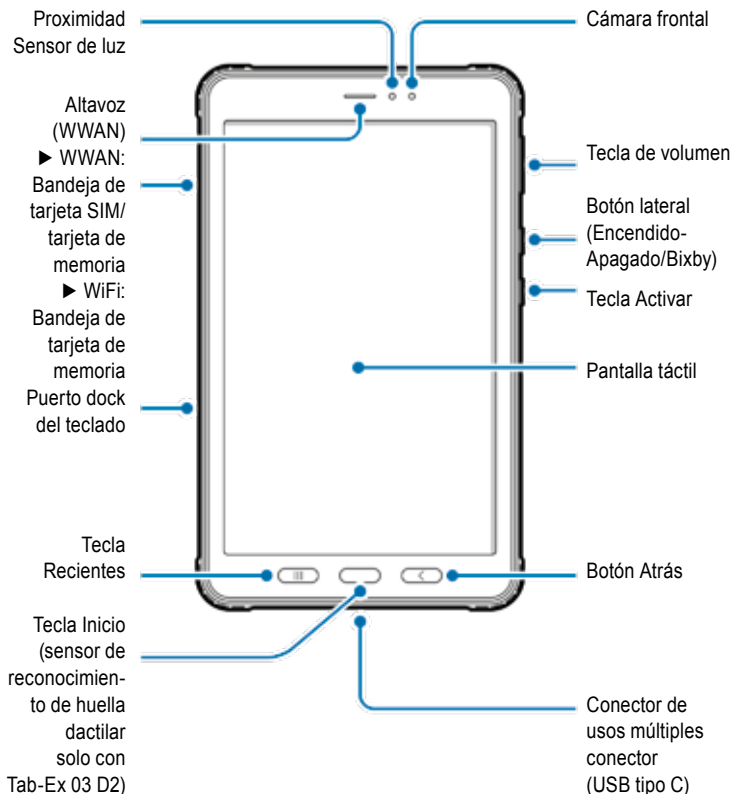
12. Diseño y funciones del dispositivo

Contenido del paquete

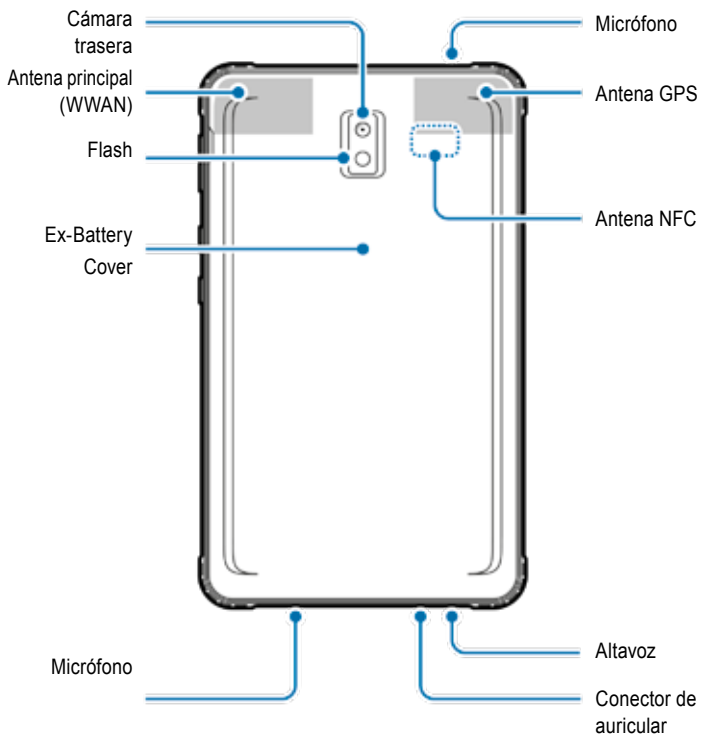
Consulte la Guía de inicio rápido para ver el contenido del paquete.

- Los elementos suministrados con el dispositivo y los accesorios disponibles pueden variar en función de la región o el proveedor del servicio.
- Los elementos suministrados están diseñados para su uso únicamente con este dispositivo y es posible que no sean compatibles con otros.
- La apariencia y las especificaciones están sujetas a cambios sin previo aviso.
- Se suministra una funda para proteger el dispositivo. Si desea retirar la funda adherida al dispositivo, se recomienda separarla de las esquinas superiores.

Diseño del dispositivo (WWAN / WiFi)



Diseño del dispositivo (WWAN / WiFi)



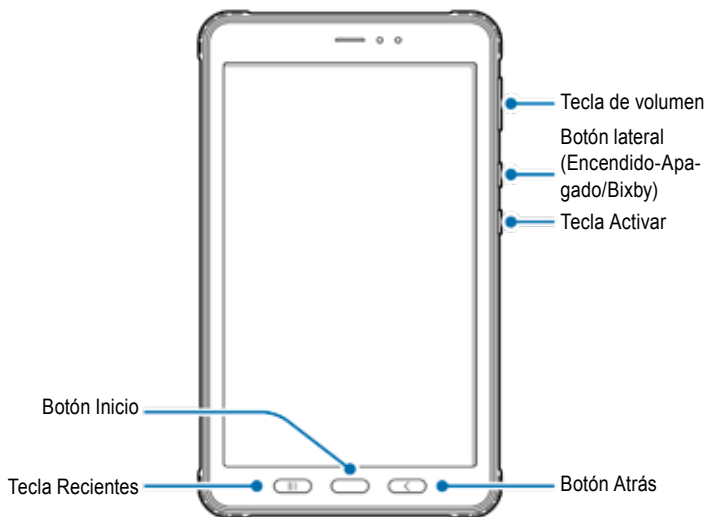


- Cuando se utilicen los altavoces; por ejemplo, al reproducir archivos multimedia o al usar el altavoz del teléfono, no se debe colocar el dispositivo cerca del oído.
- Procure no exponer el objetivo de la cámara a una fuente de luz potente, como la luz solar directa. Si se expone el objetivo de la cámara a una fuente de luz potente, como la luz solar directa, el sensor de imagen de la cámara puede resultar dañado. Un sensor de imagen dañado es irreparable y causará puntos o manchas en las imágenes.
- Si utiliza el dispositivo con el cristal o el cuerpo acrílico roto, existe riesgo de lesión. No utilice el dispositivo hasta que haya sido reparado en un centro de asistencia ECOM Instruments GmbH.
- Si entra polvo o materiales extraños en el micrófono, el altavoz o el receptor, el sonido del dispositivo puede ser más silencioso o es posible que algunas características no funcionen. Si intenta quitar el polvo o los materiales extraños con un objeto punzante, es posible que el dispositivo resulte dañado y que su aspecto se vea afectado.



- Se pueden producir problemas de conectividad y desgaste de la batería en las siguientes situaciones:
 - Si se adhieren pegatinas metálicas cerca de la antena del dispositivo
 - Si se coloca una tapa con material metálico en el dispositivo
 - Si se cubre el área de la antena con las manos u otros objetos mientras se utilizan determinadas funciones, como llamadas o la conexión de datos móviles (WWAN)
- Se recomienda utilizar la lámina protectora para la pantalla aprobada por Samsung. Las láminas protectoras no autorizadas pueden hacer que los sensores funcionen incorrectamente.
- No cubra el área del sensor de luz/proximidad, con accesorios de pantalla como un protector, adhesivos o una funda. De hacerlo, es posible que el sensor funcione incorrectamente.
- La luz puede parpadear en la parte superior del dispositivo durante las llamadas debido al sensor de proximidad.

Botones



Tecla	Funciones
Tecla de volumen	Pulse este botón y manténgalo presionado para ajustar el volumen del dispositivo.
Botón lateral	<ul style="list-style-type: none">• Cuando el dispositivo esté apagado, púselo y manténgalo pulsado para encenderlo.• Pulse el botón para activar o bloquear la pantalla.• Pulse el botón y manténgalo pulsado para iniciar una conversación con Bixby. Consulte <i>Cómo utilizar Bixby</i> para obtener más información.• Pulse el botón dos veces o púselo y manténgalo pulsado para iniciar la aplicación o función establecida.

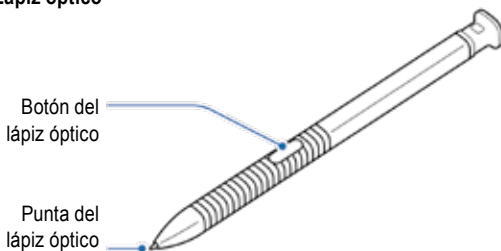
Botón lateral + Tecla Bajar volumen	<ul style="list-style-type: none"> • Pulse ambas teclas simultáneamente para realizar una captura de pantalla. • Pulse ambas teclas y manténgalas pulsadas para desactivar el dispositivo.
Tecla Activar	<ul style="list-style-type: none"> • Manténgala pulsada para iniciar las aplicaciones preestablecidas.
Tecla Recientes	<ul style="list-style-type: none"> • Pulse este botón para abrir la lista de aplicaciones recientes.
Botón Inicio	<ul style="list-style-type: none"> • Pulse este botón para encender la pantalla cuando está bloqueada. • Pulse este botón para volver a la pantalla del menú principal. • Pulse y mantenga pulsado este botón para iniciar la aplicación Asistente de Google.
Botón Atrás	<ul style="list-style-type: none"> • Pulse este botón para volver a la pantalla anterior.

Establecimiento del botón lateral

Seleccione una aplicación o función para iniciarla pulsando dos veces el botón lateral o pulsándolo y manteniéndolo pulsado.

Inicie la aplicación Ajustes, pulse Funciones avanzadas → Botón lateral y después seleccione la opción que prefiera.

Lápiz óptico



Nombre	Funciones
Punta del lápiz óptico	<ul style="list-style-type: none"> • Utilice el lápiz óptico para escribir, dibujar o realizar acciones táctiles en la pantalla. • Pase el lápiz óptico sobre los elementos en la pantalla para acceder a funciones adicionales del lápiz óptico, como la función Vista Air.

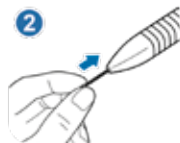
Botón del lápiz óptico	<ul style="list-style-type: none"> • Pase el lápiz óptico sobre la pantalla y pulse el botón del lápiz óptico para ver las funciones del comando Air. • Mientras mantiene pulsado el botón del lápiz óptico, arrastre el lápiz óptico sobre los elementos para seleccionarlos.
------------------------	--

Sustitución de la punta del lápiz óptico

Si la punta está gastada, sustitúyala por otra nueva.

1 Sujete firmemente la punta con las pinzas y extráigala.

2 Inserte una punta nueva en el lápiz óptico.



Tenga cuidado de no pellizcarse los dedos con las pinzas.



- No reutilice puntas antiguas. De hacerlo, es posible que el lápiz óptico funcione incorrectamente.
- No pulse la punta en exceso al insertarla en el lápiz óptico.
- No inserte el extremo redondeado de la punta en el lápiz óptico. De hacerlo, se podrían provocar daños en el lápiz óptico o en el dispositivo.
- Cuando utilice el lápiz óptico, no lo doble ni aplique una presión excesiva. Se podría dañar el lápiz o deformar la punta.
- No presione con fuerza en la pantalla con el lápiz óptico. Se podría deformar la punta del lápiz.

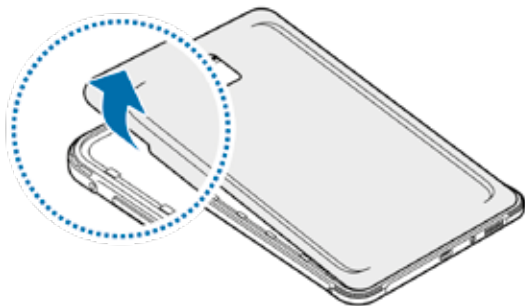


- Si utiliza el lápiz óptico en ángulos pronunciados de la pantalla, es posible que el dispositivo no reconozca las acciones del lápiz.
- Si el lápiz óptico no funciona correctamente, llévelo a un centro de asistencia ECOM.

13. Batería

Instalación de la batería

- 1 Quite la Ex-Battery Cover.

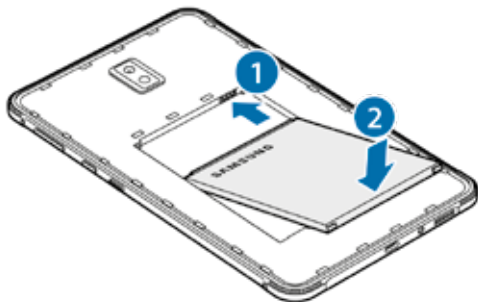


Tenga cuidado de no lastimarse al uñas al quitarla.

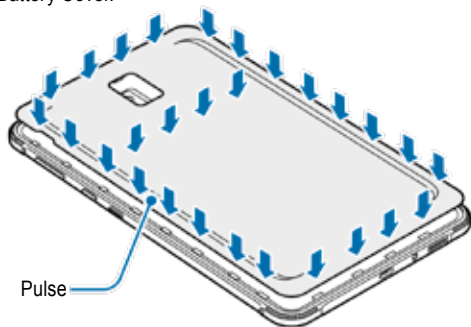


No doble ni presione demasiado la tapa trasera. Esto podría dañarla.

- 2 Inserte la batería con los contactos de color dorado correspondientes debidamente alineados con los contactos del dispositivo.



3 Vuelva a colocar la Ex-Battery Cover.



Asegúrese de que la Ex-Battery Cover esté cerrada correctamente para impedir que entren agua y polvo en el dispositivo. Si la tapa queda abierta o mal cerrada, podría entrar agua o polvo y dañar el dispositivo. No se permite la presencia de una cubierta de Ex-Battery Cover suelta en la zona peligrosa.

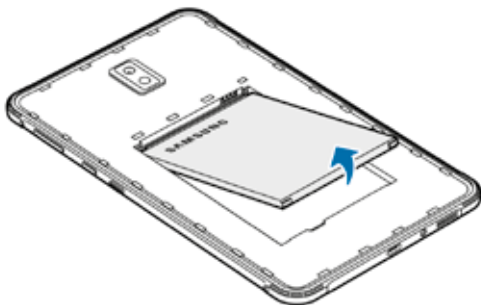


Use únicamente tapas traseras y accesorios aprobados por ECOM en el dispositivo.

Extraer la batería

1 Quite la tapa trasera.

2 Extraiga la batería.



Cargar la batería

Cargue la batería antes del primer uso o cuando no se haya utilizado durante mucho tiempo.



Utilice únicamente baterías, cargadores y cables aprobados por ECOM y diseñados específicamente para el dispositivo. Las batería, los cargadores y los cables no compatibles podrían causar lesiones graves o daños al dispositivo. Ver MAS-0177 de seguridad adicional en la carga de la batería.



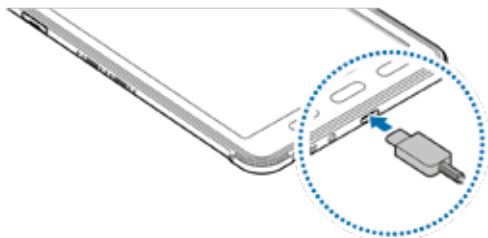
- Conectar el cargador de forma incorrecta puede ocasionarle graves daños al dispositivo. La garantía no cubre ningún daño causado por el uso incorrecto del dispositivo.
- Utilice solo el cable USB de tipo C proporcionado con el dispositivo. El dispositivo puede sufrir daños si se utiliza un cable micro USB.



Para ahorrar energía, desenchufe el cargador si no lo está utilizando. El cargador no tiene un interruptor de encendido; por lo tanto, para evitar desperdiciar energía hay que desenchufarlo del tomacorriente cuando no está en uso. El cargador debe permanecer cerca del tomacorriente y ser de fácil acceso durante la carga.

1 Conecte el cable USB al adaptador de alimentación USB.

2 Conecte el cable USB al conector multiuso del dispositivo.



3 Conecte el adaptador de alimentación USB al enchufe.

4 Una vez completa la carga, desconecte el dispositivo del cargador.
A continuación, desconecte el cargador del enchufe.



No extraiga la batería antes de quitar el cargador.
Podría dañar el dispositivo.

Reducción del consumo de la batería

El dispositivo incluye varias opciones que permiten ahorrar el nivel de batería.

- Optimice el dispositivo utilizando la función de cuidado del dispositivo.
- Cuando no utilice el dispositivo, desactive la pantalla pulsando el botón lateral.
- Active el modo de ahorro de batería.
- Cierre las aplicaciones que no utilice.
- Desactive la función de Bluetooth cuando no la utilice.
- Desactive la sincronización automática de las aplicaciones que se deben sincronizar.
- Reduzca el tiempo de la luz de fondo.
- Reduzca el brillo de la pantalla.

Consejos y precauciones para cargar la batería

- Cuando el nivel de batería es bajo, el icono de la batería aparece vacío.
- Si la batería está completamente descargada, el dispositivo no se encenderá apenas conecte el cargador. Cargue la batería agotada durante unos minutos antes de encender el dispositivo.
- La batería se agotará rápidamente si utiliza varias aplicaciones al mismo tiempo, si usa aplicaciones de red o si las aplicaciones requieren conectarse a otro dispositivo. Para evitar la pérdida de energía durante una transferencia de datos, utilice siempre estas aplicaciones después de haber cargado completamente la batería.
- Si se utiliza una fuente de energía que no sea un cargador, como un ordenador, es posible que la velocidad de la carga sea más lenta debido a que la corriente eléctrica es menor.
- El dispositivo puede usarse mientras se está cargando, pero es posible que la carga completa de la batería demore más tiempo.
- Si el dispositivo recibe un suministro eléctrico inestable durante la carga, es posible que la pantalla táctil no funcione. Si esto sucede, desconecte el cargador del dispositivo.

- Durante la carga, el dispositivo y el cargador pueden calentarse. Esto es normal y no debería afectar la vida útil del dispositivo ni su rendimiento. Si la batería recalienta más que de costumbre, puede que el cargador haya dejado de cargar. Si esto ocurre durante la carga inalámbrica, desconecte el dispositivo del cargador para que se enfríe y después vuelva a cargar el dispositivo.
- Si carga el dispositivo con el conector multiusos húmedo, podría dañar el dispositivo. Seque concienzudamente el conector multiusos antes de cargar el dispositivo.
- Si el dispositivo no se está cargando adecuadamente, llévelo junto con el cargador a un centro de asistencia ECOM.

Carga rápida

El dispositivo tiene una función integrada de carga rápida. Puede cargar la batería más rápidamente mientras el dispositivo o la pantalla están desactivados.

Aumento de la velocidad de carga

Para aumentar la velocidad de carga, apague el dispositivo o la pantalla cuando cargue la batería. Si la función de carga rápida no está activada, inicie la aplicación Ajustes, pulse Cuidado del dispositivo → Batería → Carga y después cambie a Carga rápida para activarla.



- Mientras cargue, no active ni desactive esta función.
- No se puede utilizar la función de carga rápida cuando se carga la batería utilizando un cargador de batería estándar.
- Si el dispositivo se calienta o si aumenta la temperatura ambiente, la velocidad de carga puede disminuir de forma automática. Se trata de una condición de funcionamiento normal para impedir que el dispositivo sufra daños.

Tarjeta SIM o USIM (tarjeta nano SIM) (WWAN)

Colocación de la tarjeta SIM o USIM

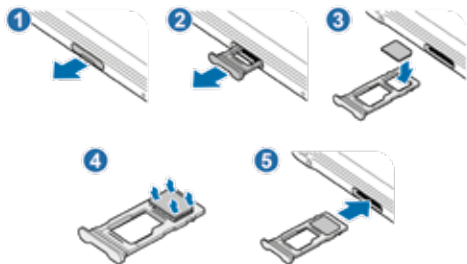
Inserte la tarjeta SIM o USIM suministrada por el proveedor del servicio de telefonía móvil.



- Utilice solo una tarjeta nano SIM.
- No pierda ni preste la tarjeta SIM o USIM. Samsung no se responsabiliza por los posibles daños o inconvenientes que puedan causar la pérdida o el robo de la tarjeta.



Según el proveedor del servicio, puede que algunos servicios requieran una conexión de red.



- 1 Extraiga la bandeja con cuidado de la ranura correspondiente.
- 2 Inserte la tarjeta SIM o USIM en la bandeja con los contactos dorados hacia abajo.
- 3 Presione ligeramente la tarjeta SIM o USIM en la bandeja para que quede fija.



Si la tarjeta SIM no se fija firmemente en la bandeja, podría salirse o caerse.

- 4 Vuelva a introducir la bandeja en la ranura correspondiente.



- Si inserta la bandeja húmeda en el dispositivo, podría dañarlo. Asegúrese siempre que la bandeja esté seca.

- Inserte completamente la bandeja en la ranura de la bandeja para evitar que entre líquido en el dispositivo.

14. Tarjeta de memoria (tarjeta microSD)

Colocación de tarjetas de memoria

La capacidad de la tarjeta de memoria del dispositivo puede variar entre modelos y algunas tarjetas de memoria pueden no ser compatibles con su dispositivo en función del fabricante y del tipo de tarjeta de memoria. Para ver la capacidad de la tarjeta de memoria máxima del dispositivo, consulte el sitio web de Samsung.

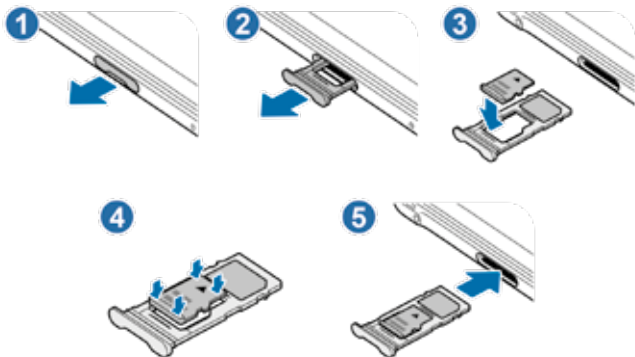


- Es posible que algunas tarjetas de memoria no sean del todo compatibles con el dispositivo.
El uso de una tarjeta incompatible puede dañar el dispositivo o la tarjeta de memoria, o bien, los datos almacenados en ella.
- Inserte la tarjeta de memoria con cuidado orientada hacia arriba.

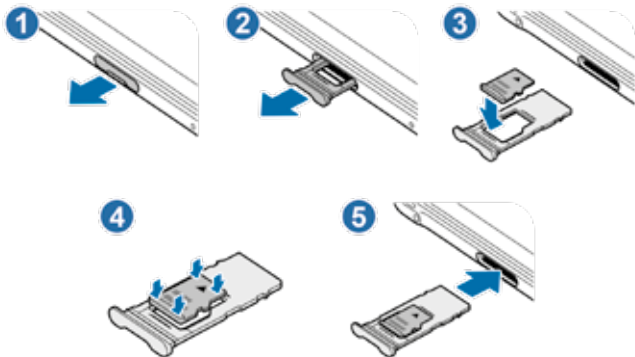


- El dispositivo admite el sistema de archivos FAT y exFAT de las tarjetas de memoria. Cuando se inserta una tarjeta formateada en otro sistema de archivos, el dispositivo le pide al usuario formatear la tarjeta de memoria o no reconocerá la tarjeta. Para utilizar la tarjeta de memoria, se debe formatear.
Si su dispositivo no puede formatear o reconocer la tarjeta de memoria, póngase en contacto con el fabricante de la tarjeta de memoria o con un centro de asistencia ECOM.
- La incorporación y eliminación habituales de datos reduce la vida útil de las tarjetas de memoria.
- Cuando se inserta una tarjeta de memoria en el dispositivo, el directorio de archivos de la tarjeta aparece en la carpeta **Mis archivos** → **Tarjeta SD**.

► WWAN:



► WiFi:



1 Extraiga la bandeja con cuidado de la ranura correspondiente.



Cuando extraiga la bandeja del dispositivo, la conexión de datos móviles se deshabilitará. (WWAN)

2 Inserte una tarjeta de memoria en la bandeja con los contactos dorados hacia abajo.

3 Presione ligeramente la tarjeta de memoria en la bandeja para que quede fija.



Si la tarjeta de memoria no se fija firmemente en la bandeja, podría salirse o caerse.

4 Vuelva a introducir la bandeja en la ranura correspondiente.



- Si inserta la bandeja húmeda en el dispositivo, podría dañarlo. Asegúrese siempre que la bandeja esté seca.
- Inserte completamente la bandeja en la ranura de la bandeja para evitar que entre líquido en el dispositivo.

Extracción de la tarjeta de memoria

Antes de extraer la tarjeta de memoria, siga los siguientes pasos de retiro para realizar una extracción segura.

Inicie la aplicación **Ajustes** y pulse **Cuidado del dispositivo** → **Almacenamiento** → **Opciones avanzadas** → **Tarjeta SD** → **Retirar**.



No retire el almacenamiento externo, como una tarjeta de memoria o almacenamiento USB, mientras el dispositivo esté transfiriendo o esté accediendo a información o justo después de haber transferido datos. Si lo hace, podrían perderse o dañarse datos, o bien, podría dañarse el almacenamiento externo o el dispositivo.

Samsung no se responsabiliza por las pérdidas, entre otras, de datos, que sean consecuencia del uso incorrecto de dispositivos de almacenamiento externo.

Formatear la tarjeta de memoria

Es posible que el dispositivo no admita tarjetas de memoria formateadas en un ordenador. Formatee la tarjeta de memoria en el dispositivo.

Inicie la aplicación **Ajustes** y pulse **Cuidado del dispositivo** → **Almacenamiento** → **Opciones avanzadas** → **Tarjeta SD** → **Formateo**.



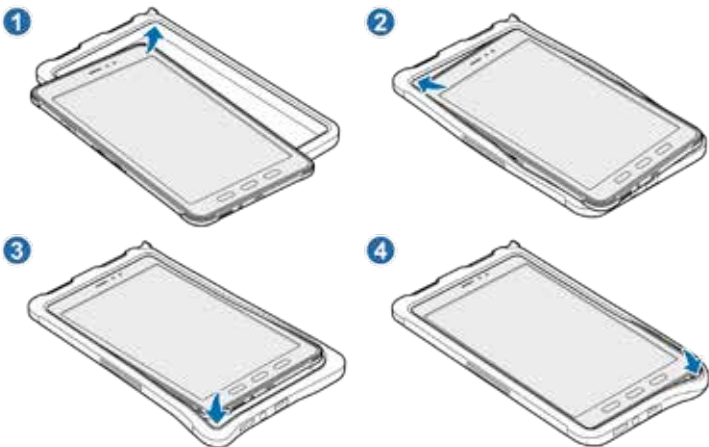
Antes de formatear la tarjeta de memoria, recuerde realizar copias de seguridad de los datos importantes almacenados en la tarjeta de memoria.

La garantía del fabricante no cubre la pérdida de datos derivada de las acciones del usuario.

Ex-Protective case

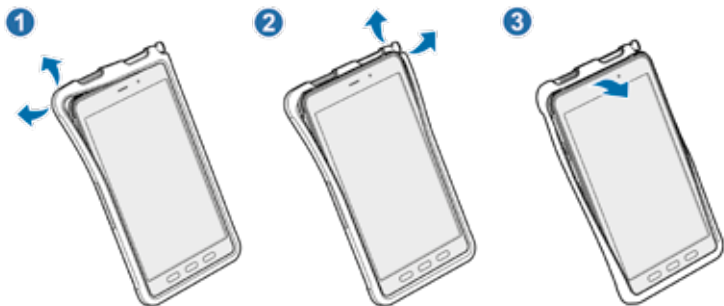
Instalación de la Ex-Protective case

Introduzca la parte superior del dispositivo en la Ex-Protective case y, a continuación, presione los bordes de la parte inferior uno a uno con ambas manos para instalarla con firmeza.



Extracción de la Ex-Protective case

Con el dispositivo en posición vertical, empuje los bordes de la parte superior uno a uno utilizando ambas manos hasta que el dispositivo sobresalga de la funda y extraiga el dispositivo de la misma.



Instalación del lápiz óptico

Inserte el lápiz óptico en la parte superior de la Ex-Protective case.



No inserte el lápiz óptico al revés en la Ex-Protective case.

15. Operación

Encendido y apagado del dispositivo



Siga todas las advertencias e indicaciones del personal autorizado en las áreas en las que esté restringido el uso de dispositivos inalámbricos, tales como aviones u hospitales.

Encendido del dispositivo

Para encender el dispositivo, mantenga pulsado el botón lateral durante unos segundos.

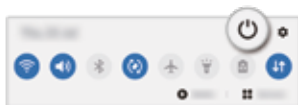
Cuando encienda el dispositivo por primera vez, o después de un restablecimiento de datos, siga las instrucciones en pantalla para configurarlo.

Apagado del dispositivo

- 1 Para apagar el dispositivo, mantenga pulsado el botón lateral y la tecla Bajar volumen simultáneamente. Si lo prefiere, puede abrir el panel de notificaciones y pulsar.



Tecla Bajar volumen
Botón lateral



- 2 Pulse Apagar.

Para reiniciar el dispositivo, pulse Reiniciar.



Puede configurar el dispositivo para que se apague cuando mantenga pulsado el botón lateral. Inicie la aplicación **Ajustes**, pulse **Funciones avanzadas** → **Botón lateral** y después pulse **Menú de apagado** en **Pulsar y mantener pulsado**.

Cómo forzar el reinicio

Si el dispositivo se bloquea y no responde, mantenga pulsado el botón lateral y la tecla Bajar volumen simultáneamente durante más de 7 segundos para reiniciarlo.

Copyright© 2021 ECOM Instruments GmbH.

The contents of this document, either in part or in their entirety, may not be reproduced, forwarded, distributed or saved in any way without ECOM Instruments GmbH prior written consent.

The contents of this document are presented as they currently exist. ECOM Instruments GmbH does not provide any express or tacit guarantee for the correctness or completeness of the contents of this document, including, but not restricted to, the tacit guarantee of market suitability or fitness for a specific purpose unless applicable laws or court decisions make liability mandatory. ECOM Instruments GmbH reserves the right to make changes to this document or to withdraw it any time without prior notice.

Copyright© 2021 ECOM Instruments GmbH.

Le contenu de ce document, en tout ou en partie, ne peut pas être reproduit, transféré, distribué ou enregistré sous quelque forme que ce soit sans le consentement écrit de ECOM instruments GmbH.

Les contenus du présent document sont présentés tels qu'ils existent actuellement. L'entreprise ECOM Instruments GmbH ne fournit aucune garantie expresse ou tacite quant à l'exactitude ou l'exhaustivité des contenus du présent document, y compris, mais sans s'y limiter, la garantie tacite d'adéquation au marché ou d'aptitude à un usage spécifique, à moins que la législation ou jurisprudence applicable ne rende la responsabilité obligatoire. L'entreprise ECOM Instruments GmbH se réserve le droit de modifier le présent document ou de le révoquer à tout moment sans préavis.

DOCT-7180 | 03/2021
WEEE-Reg.-Nr. DE 934 99306
Subject to change without notice.

ECOM Instruments GmbH | Industriestraße 2 | 97959 Assamstadt | Germany
Phone +49 62 94 42 24 0 | Fax +49 62 94 42 24 100
sales@ecom-ex.com | www.ecom-ex.com