



Operating instructions

KCY1-6SR-B KCY1-6SR-B-NPN

Electronic preset counter

1.1 Foreword



Please read this instruction manual entirely and carefully before installation and start-up. Please observe all warnings and advices, both for your own safety and for operating safety. The intended protection can be impaired if the device is not used in accordance with this instruction manual.

1.2 Safety instructions and warnings



Please use the device only if its technical condition is perfect. It should be used only for its intended purpose, in accordance with this instruction manual.

Defective or damaged devices should be disconnected from the mains immediately and taken out of operation.

Repair work may be performed only by the manufacturer's repairs service.

This device may be opened only for battery replacement. For this purpose, the device must be separated from all electric circuits and de-energized.

Only connect the device to the electricity networks provided to that purpose.

The safety of the system in which the device is integrated is the responsibility of the installer.

Disconnect all electricity networks prior to any installation or maintenance work.

Use exclusively cables approved in your country and designed for your temperature and power ranges.

Installation and service work shall be carried out exclusively by qualified personnel.

The device must compulsorily be protected with approved external fuses. The value of these fuses can be found in the technical information.



This symbol is used on the device to remind of the existence of dangers, which are referred to in this manual.

1.3 Use according to the intended purpose

The preset counter counts pulses and times up to max. 30 Hz and offers various operating modes. The present counter simultaneously processes a programmed preset value. Any other use is considered as non compliant with the intended use.

The application area for this device lies in industrial processes and controls, in the fields of manufacturing lines for metal, wood, plastics, paper, glass, textile and other like industries. Overvoltages at the terminals of the device must be kept within the limits of Overvoltage Category II. The device must only be operated when properly mounted in a panel and in accordance with the section "Technical Data".

The device is not suitable for use in areas with explosion protection and for areas excluded in EN 61010-1. If the device is used to monitor machines or processes in which, in the event of a failure of the device or an error made by the operator, there might be the risk of damaging the machine or causing an accident to the operators, it is your responsibility to take the appropriate safety measures.

The device has been designed for indoor operation. It may nevertheless be used outdoors, provided the technical data is complied with. In this case, take care to provide suitable UV protection.

1.4 Mounting in a control panel



CAUTION

Mount the device away from heat sources and avoid direct contact with corrosive liquids, hot steam or the like.

Provide a free space of 10 mm all around the device for its ventilation. The device should be mounted so that the terminals are out of the reach of the operator and cannot be touched by him. When mounting the device, consider the fact that only the front side is classified as accessible for the operator.

1.5 Mounting instructions

1. Remove the mounting clip from the device.
2. Insert the device from the front into the panel cut-out, ensuring the front-panel gasket is correctly seated.
3. Slide the fixing clip from the rear onto the housing, until the spring clamps are under tension and the upper and lower latching lugs have snapped into place.

Note: In case of proper installation, IP65 can be reached on the front side.

1.6 Electrical installation

This device is powered by an internal battery.



DANGER

The device must be disconnected from any power supply prior to any installation or maintenance work. Make sure that no more voltages LIABLE TO CAUSE AN ELECTROCUTION are present. Installation or maintenance work may only be carried out by qualified personnel and in compliance with the applicable national and international standards.

Take care to separate all extra-low voltages entering or exiting the device from hazardous electrical conductors by means of a double or reinforced insulation (SELV circuits).



DANGER

The device must be protected externally for proper operation. Information about the prescribed fuses can be found in the technical data.

The relay output is not protected / overcurrent-limited internally in the device. Without suitable protection of the relay output, undesired heat development or even fire may occur. The relay output must be protected externally by the manufacturer of the plant. It must also be made sure that, even in case of a malfunction, the values stated in the technical data are under no circumstances exceeded.

During installation, make sure that the voltage of the counting and reset inputs and the wiring of the output contacts are both powered by the same mains phase, in order not to exceed the maximum permitted voltage of 250V.

The cables and their insulation must be designed for the planned temperature and voltage ranges. Regarding the type of the cables, adhere to the applicable country and final device standards. The cross sections allowed for the screw terminals can be found in the technical data.

Before starting the device, check the cables for proper wiring and tightening. The screws of unused screw terminals must be screwed to the stop, so that they cannot loosen and get lost.

The device has been designed for overvoltage category II. If higher transient voltages cannot be excluded, additional protection measures must be taken in order to limit the overvoltage to the values of CAT II.

Advice on noise immunity

All connections are protected against external sources of interference. The installation location should be chosen so that inductive or capacitive interference does not affect the device or its connecting lines! Interference (e.g. from switch-

mode power supplies, motors, clocked controllers or contactors) can be reduced by means of appropriate cable routing and wiring.

Measures

- Use only shielded cable for signal and control lines. Connect cable shield at both ends. Minimum cable conductor cross-section 0.14 mm².
- The shield connection to the equipotential bonding should be as short as possible and with a contact area as large as possible (low-impedance).
- Only connect the shields to the control panel, if the latter is also earthed.
- Install the device as far away as possible from noise-conducting cables.
- Avoid routing signal or control cables parallel to power lines.

1.7 Cleaning and maintenance

The front side of the unit should only be cleaned using a soft damp (water!) cloth. Cleaning of the embedded rear side is not planned and is the responsibility of the service personnel or of the installer.

In normal operation, this device is maintenance-free. Should the device nevertheless not operate properly, it must be sent back to the manufacturer or to the supplier. Opening and repairing the device by the user is not allowed and can adversely affect the original protection level.

1.8 Start-up

- Is the device properly set and programmed (function; max. counting frequency for counters)?

1.9 Failure possibilities and causes

Impossible to use the keys:

- Key lock input activated
Counter does not count:
- Wrong or reversed wiring of the counting input
- Setting of an input signal not matching the pulse generator.

- No ground connection between the pulse generator and the counter.
- Signal levels do not reach the switching threshold of the counter.

Relay output signal missing:

- Output contact short-circuited
- Output signal (fugitive signal duration) programmed too short
- Relay contact defective due to excessive load
- Relay current below min. value

Displaying noFunc:

- Battery is unloaded and must be replaced.

If, despite all, your device still does not operate, contact your local representative or call us directly for technical support.

When sending your device back, please attach a short description of the failure, of the programming and of the connection diagram, in order to allow us to reproduce a possibly existing defect and to repair your device as quickly as possible.

2. Inputs

2.1 Reset input terminal 6

This input is connected functionally in parallel with the red Set key and sets the counter to zero in case of adding counting and to the preset value in case of subtracting counting. The reset function is dynamic.

2.2 Counting input (Start input) terminal 5

Input damped to 25 Hz for pulse counting with the pulse preset counter or static start input with the time preset counter (time counting active when input is active, time indicator located on top left flashes when time counting is active).

Note: The reset input (terminal 6) and the counting input (terminal 5) are inputs with a common connection (terminal 7) and must be controlled with the same polarity.

2.3 Key lock input

The front keys (including the set key) are locked when this input (terminal 2) is set to +3 VDC (terminal 1).

3. Output

Relay with potential-free contact, contact programmable as normally open or normally closed (terminal 3 and terminal 4). For the adding count, the relay is activated when > preset value, for the subtracting count, it is activated when < 0. The output signal is programmable as a fugitive signal between 0.1 and 99.9 seconds or as a bistable signal with the setting 0.0 (Loop OFF) no automatic repetition. When the relay is active, a colon symbol is displayed on the left end of the lower row. The output relay shall not exceed a switching frequency of 4 Hz.

4. Setting the operating mode and the operating parameters

4.1 New installation

In case of a new installation of the counter, after a battery replacement that lasted more than 20 seconds, or if the counter switched over to the „NoFunc“ safety mode because of a too low battery voltage, the preset counter switches automatically to the programming mode. All parameters must then be input again (see 4.2).

Parameter modification is also possible during operation. For safety reasons, to access the programming mode, the reset key and the keys of the 5th and 6th decades must be pressed simultaneously. The lower display line then displays the message INIT. If these 3 keys remain pressed, a countdown from 5 to 0 takes place in one-second intervals. If the keys are released during this countdown, the device switches back to the previous operating mode. If the keys are released after 0 is reached, parameter setting is activated and the first parameter is displayed.

4.2 Setting the parameters

The key of the 1st decade allows switching among the available parameters (e.g. add-sub) and the key of the 6th decade allows switching over to the following function. The duration of the fugitive pulse is set using the keys of decades 1-3. After the last input (dP), the key of the 6th decade allows jumping back to the start of the programming routine; pressing simultaneously the

reset key and the keys of the 5th and 6th decades allows saving the parameters.

Note: Every time the programming routine is called up, the counter switches back to the basic parameter setting, i. e. the previous programming is lost and the counter and preset values are reset to zero.

4.3 Parameters description

(see also the function sequence)

Funct.Count: Pulse preset counter operating mode

Funct.Time: Time preset counter operating mode

tMode: Programmable time range (only for Funct.Time), SEC=seconds, Min=minutes, hour=hours

Count Add: Adding counting mode

Count Sub: Subtracting counting mode

Loop off: Automatic repetition off
 When parameter LoopP is „off“ and dDELAY time is 0.0, the output is activated when the preset value is reached and remains activated until reset is performed.

Loop on: Automatic repetition on
 When parameter „LoopP is „on“, the counter is reset automatically and the output emits a fugitive pulse for the time of the duration set in dDELAY.

rELAY no: Normally open contact

rELAY nc: Normally closed contact

dELAY: Output signal duration: fugitive signal programmable from 0.01 – 99.9 seconds, 0.0 = bistable output (active until reset) programmable only for Loop off, in case of Loop on, 0.0 is set automatically to 1.0 second.

dP: Programmable decimal point:
 pulse preset counter: 0 - 0.0000 only for display purposes,
 time preset counter 0 – 0.0 (seconds) 0 – 0.00 (minutes, hours) determines the resolution. If the relay output is switched from „no“

to „nc“, the relay condition must be taken over by pressing the reset key.

5. Operating the counter

5.1 Setting or resetting

The red set key or a pulse on the reset input sets the counter to zero in adding mode and to the preset value in subtracting mode.

5.2 Preset setting

The preset value is displayed in the lower display line. Setting is carried out with the 6 preset keys, each assigned to a decade. The set or modified preset value is taken over at the subsequent setting or resetting of the counter.

5.3 Overflow or underflow

In adding mode, overflow passes from 999999 to zero, in subtracting mode from zero to 999999. The output signal remains unchanged. The display flashes in case of overflow or underflow. The counter stops after the overflow or underflow of an additional decade.

5.4 Lo-Bat indicator

In case of a too low battery load, the message Lo-bat is displayed and the display flashes. The batteries must be replaced when „Lo-bat“ is displayed. If the battery voltage decreases in such a way that safe relay switching cannot be ensured any more, the counter switches to Safe Mode and displays the message „noFunc“. In this mode, the device does not count any more pulses or times, and the relay remains in its last position. This way, the user knows exactly whether the plant is operating optimally, which allows preventing malfunctions. After battery replacement in „noFunc“ mode, the device requires re-parameterizing. Please read chapter Battery replacement to that purpose.



Note: In order to avoid losing the settings and values because of switching to Safe Mode, the service plan of the device should include timely battery replacement in function of the ambient temperature and of the switching cycles of the relay.

5.5 Battery replacement

Before replacing the batteries, disconnect the voltages or switch the device off. Disconnect the connector from the device. This also makes sure that no untimely pulses set the device in an undefined state during battery replacement. Then push the battery lid backwards and remove the 2 batteries. Position the new batteries so that the „-“ pole is connected to the battery holder marked with „-“ on the printed circuit. After battery replacement, the display may go on displaying the LowBat message for 2 more minutes. Pressing the reset key can shorten this delay, as the device checks the current battery voltage every time this key is pressed. However, this also resets the current counter value.



Important: If battery replacement lasts longer than 20 seconds, the parameters, the preset value and the current counter value can be erased. In order to prevent this loss of information, we strongly recommend replacing the batteries one after the other.

Only use the batteries described in the Technical Data. Otherwise, proper operation cannot be guaranteed.

9. Interference suppression measures

The following interference suppression measures may be required: if the output switches inductive loads (relays, solenoid valves), interferences must be suppressed by means of a freewheeling diode for direct current and of an RC element for alternating current. For safe and EMC-compliant operation, use shielded cables for the control inputs (counting, reset and key lock inputs). The shield must be connected at both ends. If this is not possible, a capacitor (e.g. 10 nF) may be integrated on one side in the shield connection.

10. Technical data

10.1 General technical data

Display:	2-line LCD display, each with 6 decades 999999; height 7 resp. 4,5 mm
Operating temperature:	-20°C ... +65°C (not condensing)
Storage temperature:	-25°C ... +70°C
Altitude:	up to 2000 m

10.2 Electrical data

Voltage supply:	2 replaceable lithium batteries type 1/2 AA Lithium 3.6 V
Data backup:	min. 8 years for 5 x 10 ⁶ output relay switching cycles and 25°C operating temperature

EMC

Interference emission:	EN 55011 Class B
Interference immunity:	EN 61000-6-2, EN 61326-1

Device safety

Designed to:	EN 61010
Protection class:	2 (front side)

Application area:	Pollution level 2
Insulation	
Front side:	Double / reinforced insulation
Relay:	Basic insulation
UL approval:	File no.: E128604

10.3 Mechanical data

Protection level:	IP65 (font side)
Weight:	appr. 80 g

10.4 Inputs

Inputs:	Reset, counting and key lock inputs
---------	-------------------------------------

Input polarity

(for reset and counting/start inputs):

12 ... 250 V AC/DC:	bidirectional optocoupler input
NPN:	NPN input activated by transistor or contact
Key lock input:	is switched to +3 V DC (terminal 1)

Min. input pulse duration:

Reset input:	50 ms
Key lock input:	15 ms

Input switching level:

12 ... 250 V AC/DC:	LOW: < 1 V AC/DC HIGH: 12...250 V AC/DC
NPN:	LOW: 0 ... 0,8 V DC HIGH: 2.5 ... 30 V DC

Input frequency

Pulse counter:	max. 30 Hz
Time counter:	Measuring pulses < 200 ms are not measured accurately

Accuracy:	System error +/- 100 ms per measuring pulse
-----------	---

Time accuracy: 200 ppm

Input resistance: 110 kΩ



Only the front side is classified as accessible for the operator.

10.5 Outputs

Outputs: bistable relay with potential-free contact – programmable as normally open or normally closed

Max. switching voltage: 250 V AC / 30 V DC

Max. switching current: 2 A

Max. switching capacity:
60 VA / 30 W

Mechanical service life: 1×10^7

Electrical service life: 5×10^5 (1A 30Vdc)

Output response time: < 20 ms, max. 4 Hz

Insulation coordination: Basic insulation

UL ratings: 2A, 30Vdc, 50°C

10.6 Fuses / overcurrent limitations

Input signals: In case of a failure, the current must be limited to a safe value via the inputs.

We recommend a 0.1A/T fuse.

Relay: The maximum switching current of 2A shall in no case be exceeded.

10.7 Connections

7 plug-in screw terminals, pitch 5.08, cable cross section max. 2.5 mm.

10.8 Insulation coordination

Connections among each other

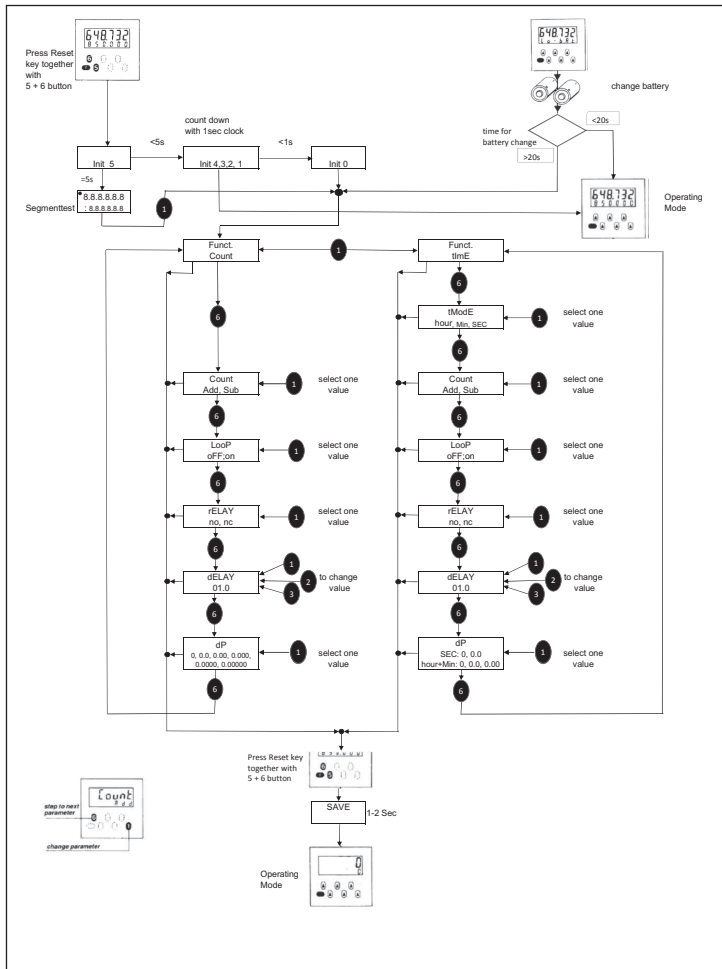
KCY1-6SR-B: only the counting and reset inputs have double / reinforced insulation

KCY1-6SR-B-NPN: generally only basic insulation

10.9 Consumables

Battery: order code: N060045 Tadiran Lithium SL350/S ½ AA 3.6V 1.2Ah

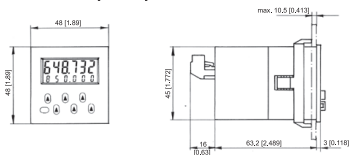
11. Programming menu



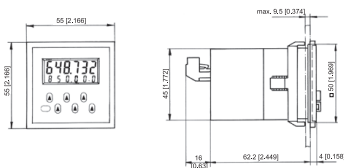
12. Dimensions

Dimensions in mm [inch]

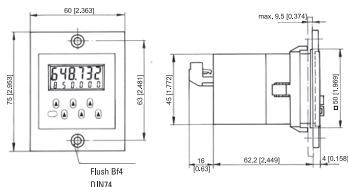
Panel cut-out 45 x 45 [1.77 x 1.77]



With front bezel 55 x 55 [2.17 x 2.17], panel cut-out 50 x 50 [1.97 x 1.97]



With front bezel 60 x 75 [2.36 x 2.95], panel cut-out 50 x 50 [1.97 x 1.97]



13. Scope of the delivery

Counter KCY1-6SR-x

2 lithium batteries

1 plug-in screw terminal

1 front bezel for screw mounting, installation cross-section 50 x 50 mm

1 front bezel for clip mounting, installation cross-section 50 x 50 mm

1 mounting clip

1 template for front panel cut-out

1 operating instructions manual

14. Order code

KCY1-6SR-B = Inputs 12...250 V AC/DC

KCY1-6SR-B-NPN = Inputs NPN

15. Battery ordinance



This device includes lithium batteries. In compliance with the Battery Ordinance, we want to point out the following:

Batteries shall not be disposed of in the residual waste; you are obliged by law to return them. You can send the complete devices back to us after use. If you can remove the batteries properly, you can also dispose of them at a municipal collection point or at a retailer collecting batteries.

Specific provisions on the return of lithium batteries:

Avoid short-circuits! Protect the poles of the battery with insulating adhesive tape. The poles of a lithium battery shall not come in contact with metal objects, neither by accident nor intentionally!

Pollutant-containing batteries bear a symbol made of a crossed-out bin and the chemical symbol of the heavy metal that determines their classification as containing pollutants. Thank you for your help!

FACTORY AUTOMATION – SENSING YOUR NEEDS



Worldwide Headquarters
Pepperl+Fuchs GmbH
68307 Mannheim · Germany
Tel. +49 621 776-0
E-mail: info@de.pepperl-fuchs.com

USA Headquarters
Pepperl+Fuchs Inc.
Twinsburg, Ohio 44087 · USA
Tel. +1 330 4253555
E-mail: sales@us.pepperl-fuchs.com

Asia Pacific Headquarters
Pepperl+Fuchs Pte Ltd.
Company Registration No. 199003130E
Singapore 139942
Tel. +65 67799091
E-mail: sales@sg.pepperl-fuchs.com

www.pepperl-fuchs.com

Subject to modifications
Copyright PEPPERL+FUCHS • Printed in Germany

 **PEPPERL+FUCHS**
SENSING YOUR NEEDS

R600069.9397 · Index 1, 02/2016