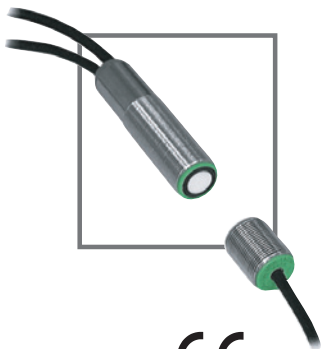


## INSTRUCTION MANUAL

# Ultrasonic Double Sheet Monitor

UDC-18GM-400-...



CE



<b>1</b>	<b>Description of sensor functions</b> .....	<b>3</b>
<b>2</b>	<b>Working principle</b> .....	<b>3</b>
<b>3</b>	<b>Function input</b> .....	<b>4</b>
<b>4</b>	<b>Measuring system</b> .....	<b>4</b>
<b>5</b>	<b>Installation and adjustment</b> .....	<b>4</b>
<b>6</b>	<b>Commissioning and parameter assignment</b> . . . .	<b>6</b>
6.1	Switching on .....	6
6.2	Normal mode .....	6
6.3	Output pulse extension .....	7
6.4	Display mode .....	7
6.5	Parameter assignment .....	8
6.6	Modes .....	9
<b>7</b>	<b>Technical data</b> .....	<b>11</b>
7.1	Electrical connection .....	12
7.2	Dimensions .....	13
<b>8</b>	<b>Accessories</b> .....	<b>14</b>

## Hints

These operating instructions provide information on how to use the product properly. They must be read and observed by all persons who use or work with this product. This product is only able to perform the functions for which it was designed if it is used and operated in accordance with information provided by

Pepperl+Fuchs.

The warranty assumed by Pepperl+Fuchs for this product is null and void if it is not used and operated in accordance with its proper use as described by

Pepperl+Fuchs

Changes to the devices or components and the use of defective or incomplete devices or components are not permitted. Repairs to devices or components may only be performed by Pepperl+Fuchs or authorized work shops. These work shops are responsible for acquiring the latest technical information about

Pepperl+Fuchs devices and components. Repair tasks made on the product that are not performed by Pepperl+Fuchs are not subject to influence on the part of Pepperl+Fuchs. Our liability is thus limited to repair tasks that are performed by Pepperl+Fuchs.

The preceding information does not change information regarding warranty and liability in the terms and conditions of sale and delivery of Pepperl+Fuchs.

Subject to technical modifications.

### Symbols used

This manual uses symbols to present important information on operating and working safely with the ultrasonic double sheet control UDC-18GM-400-...

The meaning of these symbols is as follows:



Note

*Recommendation for the user*

*Observing this information will make it easier to place the ultrasonic double sheet control UDC-18GM-400-... in operation and work with it.*



Attention

*This symbol warns the user of possible improper functionality. Failure to heed this warning may result in complete failure of the equipment or other devices that are connected.*

## 1 Description of sensor functions

The ultrasonic double sheet monitor (DSM) is used in all situations in which the automatic distinction between single and double sheets is required in order to protect machines or avoid waste production. The double sheet monitor is based on the ultrasonic through-beam principle. The following can be detected:

- No sheet, i. e. air
- Individual sheet
- Double sheet or multiple sheets (no distinction can be made for the number of sheets)

A microprocessor system evaluates the signals. The appropriate switch outputs are set as a result of the evaluation. Changes in ambient conditions such as temperature and humidity are compensated for automatically.

## 2 Working principle

The measuring principle of the double sheet control is based on measuring and evaluating the transmitted sound amplitude through a sheet of paper. If there is no paper, no sound is absorbed and the received signal reaches its maximum level. If there are two sheets of paper, one on top of the other, almost all of the signal is absorbed due to multiple reflection between the layers. The amplitude of the signal passing through thus reaches a minimum level. The thicker or denser a given type of paper is, the lower the portion of sound that will pass through it according to the working principle. Because of this, the functionality of the double sheet control is limited to types of paper that fall within a specific range. Paper that is too thin allows too much sound to pass through so that it is not sufficiently different from air. On the other hand, paper that is too thick absorbs so much of the sound that the amplitude for single sheets is already in the range of a double sheet.

Therefore, the double sheet control offers the user 4 different programs for different ranges of material, making it possible to adjust to the ideal setting for different applications. There is no need to perform TEACH-IN for single sheet. This makes the product more user-friendly. Fluttering movements of the paper do not affect reliable operation of the DSM.

### 3 Function input

Function input (wire colour pink, PK) is used to adjust the sensor and assign parameters to it. The following functions are available:

- Alignment aid
- Program selection
- Output pulse extension

During normal operation, the function input must always be securely connected with  $+U_B$  or  $-U_B$ , to avoid possible interference or improper functionality.

### 4 Measuring system

A complete unit consists of an ultrasonic emitter unit and an evaluation and receiver unit. The sensor heads are optimally adjusted to each other when they leave the factory. Therefore, they should not be used separately or exchanged with other devices of the same type. The plug connector on the emitter/receiver connection cable is only intended to be used for easier mounting, not to replace units.

### 5 Installation and adjustment

Correct functionality of the sensor can only be ensured if the emitter and receiver are adjusted so they are exactly centred on each other. This condition is automatically fulfilled if the MH-UDB01 mounting aid (see section 8 "Accessories" on page 14) is used. In addition, the UDC-18GM offers an electronic alignment aid (see section 6.6.1 "Alignment aid" on page 9).

Recommended spacing between the sensor heads:  $d = 40 \text{ mm} \dots 45 \text{ mm}$

Angular misalignment:

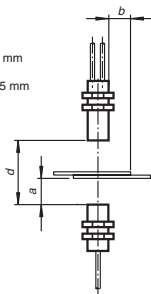
$$\alpha < +/- 1^\circ$$

Maximum misalignment:

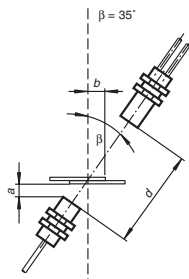
$$s < +/- 1 \text{ mm}$$

(see figure 5.1 and figure 5.2 on page 5)

Recommended distances

 $a = 5 \dots 15 \text{ mm}$  $d = 40 \dots 45 \text{ mm}$ 

(for very thick papers)



Dimension b: see table in chapter programs

Bild 5.1: Recommended spacings and angular settings

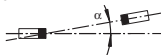
**Thin foil detection** $\alpha < +/- 1^\circ$  $s < +/- 1 \text{ mm}$ 

Bild 5.2: Max. permissible misalignment of the sensor heads

To ensure proper functionality of the double sheet control, the sensor heads must be aligned at an angle of from  $\beta = 0^\circ$  to  $+/- 45^\circ$  to the perpendicular in reference to the sheet plane; see figure 5.1.

Installing the sensor heads vertical to the sheet plane is adequate for most applications .

With very thin sheets, we recommend aligning the sensor heads vertically to the sheet plane ( $\beta = 0^\circ$ ); see figure 5.1.

For very thick sheets, we recommend installing the sensor heads at an angle of  $\beta = 35^\circ$ ; see figure 5.1.

The sheet is guided at a distance of  $a = 10 \text{ mm} \dots 15 \text{ mm}$  above the emitter; see figure 5.1.

To prevent accumulations of dust, the emitter should be installed below so that the emitter is always transmitting upward. The ultrasonic signal has a self-cleaning effect. The sensor heads can be fastened in place with the enclosed nuts.

The sound lobe must be completely covered by the paper. That means that the sensor heads must be at least  $b = 10$  mm away from the side edge of the paper (see illustration). The direction in which the paper is running makes no difference.

If several DSMs (ultrasonic double sheet monitors) will be operated in the immediate vicinity of each other, acoustic separation should be provided to keep them from interfering with each other. This can be achieved, for example, by positioning metal sheets between them. Installing the units more than 500 mm apart typically results in satisfactory acoustic separation without any additional measures (if the MH-UDB01 mounting aid is used). If one DSM system is emitting signals directly at the receiver of a second system, there may be interference at a distance of up to 1.5 m.

## 6 Commissioning and parameter assignment

### 6.1 Switching on

The sensor is equipped with 6 connections. The functionality of the connections is described in the following table. The function input (PK) is used to assign parameters to the sensor. (See Output pulse extension, Alignment aid and Program selection). During normal operation, the function input must always be securely connected with  $+U_B$  or  $-U_B$ , to avoid possible interference or improper functionality.

Colour	Switching on	Comments
BN	$+U_B$	
WH	Switch output for single sheets	Pulse width corresponds to the event
BK	Switch output for double sheets	Pulse width corresponds to the event
GY	Switch output for air	Pulse width corresponds to the event
PK	$-U_B/+U_B$	Function input for parameter assignment/pulse extension
BU	$-U_B$	

### 6.2 Normal mode

The sensor is working in normal mode if the function input (PK) is applied to  $-U_B$  or  $+U_B$  when the power source (Power-On) is supplied, as shown in the output pulse extension table (see section 6.3 "Output pulse extension" on page 7).



**Displays:**

LED yellow: Detection of air

LED green: Detection of single sheets

LED red: Detection of double sheets

**Switch outputs:**

The switch outputs are only active in normal operation!

White: WH Single sheet output

Black: BK Double sheet output

Gray: GY Air output

**6.3 Output pulse extension**

Switching the function input (PK) on to  $-U_B$  or  $+U_B$  makes it possible to select a minimum pulse width of 120 ms for all output pulses of the three switch outputs.

Switching on (PK)	Operating behaviour (after Power-On)
$-U_B$	No output pulse extension for switch outputs
$+U_B$	Output pulse extension of all switch outputs to at least 120 ms

**Please note:**

This can result in a condition in which more than one switch output is switched through!

**6.4 Display mode**

The selected parameter assignment of the sensor can be displayed by switching the function input (PK) to voltage-free during normal operation. The green LED displays the program number (the number of flashing pulses (1 ... 4) = the program number).

The outputs are inactive at this time.

If the function input (PK) is unconnected when power is supplied (Power-On), the sensor will also work in display mode (green LED flashes).

If the function input (PK) breaks due to an error while the device is in normal operation mode (broken cable, coming loose because of vibration), display mode acts as a fault display (green LED flashes).

## 6.5 Parameter assignment

The sensor is equipped with 4 programs for different ranges of application. This makes it possible to work with a wide range of material. The user can select the program best suited for a specific application.

***The default setting, Program 1, is designed so that no change in the setting is required for most applications.***

### 6.5.1 Programs

Program number	Notes*	Range of materials	Dimension b (fig. 5.1)
1	Default setting, standard paper	20 - 1200 g/m <sup>2</sup>	> 15 mm
2	Thick paper, cardboard, fine corrugated boards (DIN 55 468-1) and thin sheet metal**	> 100 g/m <sup>2</sup>	> 20 mm
3	Thin paper	20 - 250 g/m <sup>2</sup>	> 11 mm
4	Extremely fine paper	< 40 g/m <sup>2</sup>	> 8 mm

\*) The measurements were made under the following conditions:  $d = 45 \text{ mm}$ ,  $a = 10 \text{ mm}$ ,  $\beta = 0^\circ$

\*\*) The measurements were made under the following conditions:  $d = 45 \text{ mm}$ ,  $a = 10 \text{ mm}$ ,  $\beta = 35^\circ$

### 6.5.2 Procedure for assigning parameters

It is possible to switch to additional parameter assignment modes from the display mode:

- Alignment aid mode -->
- Program selection mode -->
- Alignment aid mode -->

When the function input (PK) is applied to  $-U_B$  (for  $> 500 \text{ ms}$ ), the mode changes. When the "Program selection" mode is active, switching on function input (PK) on to  $+U_B$  (for  $> 500 \text{ ms}$ ) selects the next program level.

Disconnecting the power supply causes the system to exit the current mode with the selected program change.

The switch outputs are not active while parameters are being assigned to the sensor!

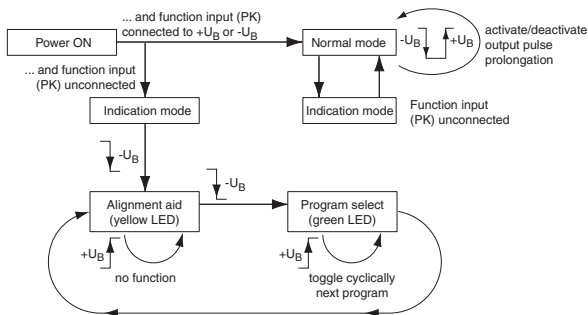


Bild 6.1: Parameter assignment

## 6.6 Modes

### 6.6.1 Alignment aid

During installation, the DSM can provide an adjustment aid for optimal alignment of the emitter to the receiver.

If the sensor detects an area of air (yellow LED is lit) the DSM will begin to display the intensity of the measured amplitude signal after 3 seconds:

If the signal is weak, the yellow LED will flash at a slow rate

As the intensity of the signal increases, the rate at which the LED flashes becomes faster

At optimal alignment (maximum signal intensity), the yellow LED is continuously lit.

The single sheet function (green LED) and double sheet function (red LED) continues to be active. This makes it possible to check for correct functionality of the double sheet control.

### 6.6.2 Program selection

In the program selection mode, the current program is displayed by the green LED (number of flashing pulses = program number). Applying the adjustment input (PK) to  $+U_B$  (for  $> 500$  ms) causes the next program to be selected in cyclic sequence (program 1 follows through to program 4).

## Notes:



This sensor is not suitable for detecting contact points or labels. Pepperl+Fuchs does offer equipment developed especially for this purpose.



*We recommend using mounting support MH-UDB01 for correct alignment of the sensor heads.*



*Extremely light papers (for example handkerchiefs) or perforated papers (for example sheets of stamps) are not always suitable for double sheet detection because of their physical characteristics. Material that represent double sheets in and of themselves cannot be used, for example multiply coated material with air cavities in them. These may result from damage (kinking) of paper, for example.*



*Due to the great variety of types of paper, cards and foils, we strongly recommend trying out the desired range of detection material as part of an approval procedure, for example, before using the sensor. This will ensure optimal reliability in detection.*



*The sheets must not touch the sensor heads during operation.*

Installation, commissioning and maintenance must only be performed by qualified specialists. The sensor heads must be installed with great care. If the device is not used for a purpose for which it was intended, reliable functionality of the double sheet control cannot be guaranteed. Making changes to or tampering with the device is not permitted.

## 7 Technical data

<b>General data</b>	
Detection range	20 ... 60 mm, optimal distance: 45 mm
Transducer frequency	395 kHz
<b>Displays/operating elements</b>	
LED green	Display: single sheet detected
LED yellow	LED display: No sheet detected (air)
LED red	LED display: Double sheet detected
<b>Electrical data</b>	
Operating voltage	18 ... 30 V DC, ripple 10 %SS
No-load supply current $I_0$	< 80 mA
<b>Input</b>	
Function input	0-level: $-U_B \dots -U_B + 1 \text{ V}$ , 1-level: $+U_B - 1 \text{ V} \dots +U_B$
Pulse length	$\geq 100 \text{ ms}$
Impedance	$\geq 4 \text{ k}\Omega$
<b>Output</b>	
Output type	Version -3E0: 3 switch outputs npn, normally open contact Version -3E1: 3 switch outputs npn, normally closed contact Version -3E2: 3 switch outputs pnp, normally open contact Version -3E3: 3 switch outputs pnp, normally closed contact
Rated operating current $I_e$	3 x 100 mA, short circuit/overload protected
Voltage drop $U_d$	$\leq 3 \text{ V}$
Switch-on delay $t_{on}$	Approx. 15 ms
Switch-off delay $t_{off}$	Approx. 15 ms
<b>Conformity to standards</b>	
Standards	IEC / EN 60947-5-2: 2004 C-UL listed: 57M3, IND CONT. EQ., powered by Class II power source
<b>Ambient conditions</b>	
Ambient temperature	0 ... 60 °C (273 ... 333 K)
Storage temperature	-40 ... 70 °C (233 ... 343 K)
<b>Mechanical data</b>	
Protection class	IP67
Connection	2 m, PVC cable 0.14 mm <sup>2</sup>
<b>Materials</b>	
Housing	Brass, nickel-plated, PBT plastic components
Transducer	Epoxy resin/hollow glass bead mixture; polyurethane foam
Weight	150 g

Tabelle 7.1: Technical data

For some particular sensor versions, the above listed technical data may be slightly different from the sensor data.

In all cases, the data on the sensors data sheet are valid!

**7.1 Electrical connection**

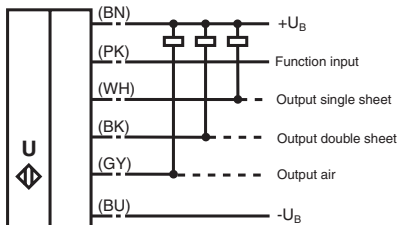


Bild 7.1: Electrical connection, versions ...-3E0 and ...-3E1

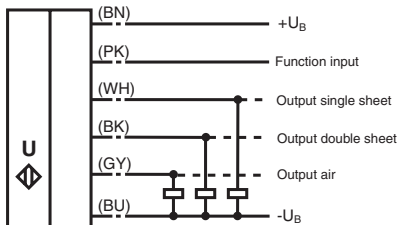


Bild 7.2: Electrical connection, versions ...-3E2 and ...-3E3

## 7.2 Dimensions

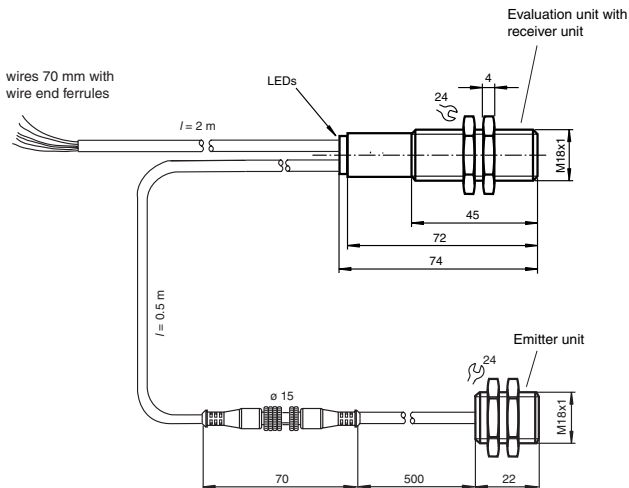


Bild 7.3: Dimensions

## 8 Accessories

Installation aid: MH-UDB01

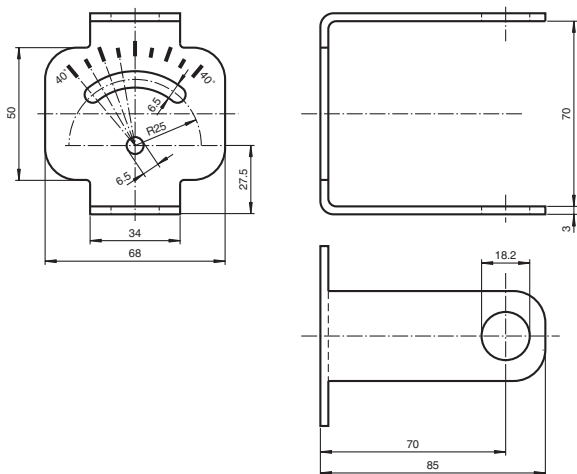


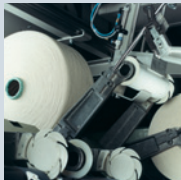
Bild 8.1: Dimensions of the installation aid MH-UDB01

Extension cord, 1 m: DSM cable, 1 m

Extension cord, 2 m: DSM cable, 2 m







## SIGNALS FOR THE WORLD OF AUTOMATION

For half a century Pepperl+Fuchs has continually provided new impetus to the world of automation. We develop, manufacture and market electronic sensors and interface modules through our worldwide network. Our global presence and highly flexible production and service organisations enable us to offer you complete individual solutions – right where you need us! We know what we're talking about – because today Pepperl+Fuchs is the company with the largest selection of industrial sensors technology in the World – serving a very broad spectrum of applications. **Our signals move the World.**



[www.pepperl-fuchs.com](http://www.pepperl-fuchs.com)

### Worldwide Headquarters

Pepperl+Fuchs GmbH · Königsberger Allee 87  
68307 Mannheim · Germany  
Tel. +49 621 776-0 · Fax +49 621 776-1000  
e-mail: [fa-info@de.pepperl-fuchs.com](mailto:fa-info@de.pepperl-fuchs.com)

### USA Headquarters

Pepperl+Fuchs Inc. · 1600 Enterprise Parkway  
Twinsburg, Ohio 44087 · USA  
Tel. +1 330 4253555 · Fax +1 330 4254607  
e-mail: [sales@us.pepperl-fuchs.com](mailto:sales@us.pepperl-fuchs.com)

### Asia Pacific Headquarters

Pepperl+Fuchs Pte Ltd. · P+F Building  
18 Ayer Rajah Crescent · Singapore 139942  
Company Registration No. 199003130E  
Tel. +65 67799091 · Fax +65 68731637  
e-mail: [sales@sg.pepperl-fuchs.com](mailto:sales@sg.pepperl-fuchs.com)



 **PEPPERL+FUCHS**  
SIGNALS FOR THE WORLD OF AUTOMATION