

MANUAL

**WHA-ADP-F8B2-*-P*-
GP(-1)**
WirelessHART[®] Adapter



*Wireless***HART**

With regard to the supply of products, the current issue of the following document is applicable: The General Terms of Delivery for Products and Services of the Electrical Industry, published by the Central Association of the Electrical Industry (Zentralverband Elektrotechnik und Elektroindustrie (ZVEI) e.V.) in its most recent version as well as the supplementary clause: "Expanded reservation of proprietorship"

1	Safety	6
1.1	Validity.....	6
1.2	Symbols used.....	6
1.3	Target Group / Personnel	6
1.4	Reference to further documentation.....	6
1.5	Marking	7
1.6	Intended Use	7
1.7	Improper Use.....	7
1.8	Mounting/Installation.....	7
1.9	Operation, Maintenance, Repair	8
1.10	Delivery, Transport, Disposal.....	8
2	Product Specifications.....	9
2.1	Introduction	9
2.2	Functional Overview	10
2.3	Scope of Delivery	10
2.4	Design	11
3	Installation.....	13
3.1	Mounting Considerations.....	13
3.1.1	Positioning the Device.....	13
3.1.2	Antenna Characteristics.....	14
3.1.3	Examples for Good and Poor Positioning.....	15
3.2	Mounting the Device	16
3.2.1	Installation on a Field Device	17
3.2.2	Mounting to a Wall	18
3.2.3	Mounting to a Pipe	19
3.3	Electrical Connection to other Devices	20
3.3.1	Wiring Diagrams	20
3.3.2	Connecting Cables	24

4	Commissioning	27
4.1	Connected HART Device(s).....	27
4.2	Connecting the Battery	27
4.3	Initial Configuration via HART Modem	29
4.4	DTM Software.....	29
4.4.1	Downloading the Required Software	29
4.4.2	Install the DTM Software Components	30
4.4.3	Updating the DTM Catalog	31
4.5	Creating a new Project in PACTware™	31
4.5.1	Creating a New Project.....	31
4.5.2	Adding the Communication DTM.....	32
4.5.3	Adding Device DTM	34
4.6	Joining the Wireless Network	35
5	Configuration	36
5.1	Configuration Options	36
5.2	Online and Offline Parameterization (DTM)	37
5.3	Identification Parameters.....	39
5.4	Wireless Communication Parameters	40
5.5	Wired Communication Parameters.....	42
5.6	Device Variable Mapping	44
5.7	Application Settings.....	46
5.7.1	4 ... 20 mA	46
5.7.2	Burst Mode Parameters.....	49
5.7.3	Event Notification	52
5.8	Power Supply	55
6	Operation	58
6.1	Controls and Indicators	58
6.1.1	LEDs	59
6.1.2	Buttons.....	60
6.2	Measured Value	61

6.3	Simulation	62
6.4	Diagnostics	63
6.4.1	Identification	63
6.4.2	Wireless Communication	64
6.4.3	Wired Communication	66
6.4.4	Health Status.....	67
6.4.5	Power Supply.....	70
6.5	Additional Functions	71
6.5.1	Lock / Unlock	71
6.5.2	Update Firmware.....	72
6.5.3	Device DTM Info	73
6.5.4	Self Test.....	73
6.5.5	About	73
7	Maintenance and Repair	74
7.1	Exchanging the Battery	74
7.2	Disposal of Batteries	74
8	Troubleshooting	75
8.1	Faults Indicated by LEDs.....	75
8.2	Wireless Communication Faults.....	76
8.3	Wired Communication Faults.....	78
9	Technical Specifications	80
9.1	WHA-ADP-F8B2-*GP(-1).....	80
9.2	Dimensions.....	82
9.3	Telecommunication Compliance	83

1 Safety

1.1 Validity

The chapter "Safety" is valid as instruction manual.

Specific processes and instructions in this document require special precautions to guarantee the safety of the operating personnel.

1.2 Symbols used

This document contains information that you must read for your own personal safety and to avoid property damage. Depending on the hazard category, the warning signs are displayed in descending order as follows:

Safety-relevant symbols



Danger!

This symbol indicates an imminent danger.

Non-observance will result in personal injury or death.



Warning!

This symbol indicates a possible fault or danger.

Non-observance may cause personal injury or serious property damage.



Caution!

This symbol indicates a possible fault.

Non-observance could interrupt devices and any connected facilities or systems, or result in their complete failure.

Informative symbols



Note!

This symbol brings important information to your attention.



Action

This symbol indicates a paragraph with instructions.

1.3 Target Group / Personnel

Responsibility for planning, assembly, commissioning, operation, maintenance, and dismantling lies with the system operator.

Mounting, installation, commissioning, operation, maintenance and disassembly of any devices may only be carried out by trained, qualified personnel. The instruction manual must be read and understood.

1.4 Reference to further documentation

Laws, standards, or directives applicable to the intended use must be observed.

The corresponding data sheets, declarations of conformity, EC-type-examination certificates, certificates and Control Drawings if applicable (see data sheet) are an integral part of this document. You can find this information under www.pepperl-fuchs.com.

Due to constant revisions, documentation is subject to permanent change. Please refer only to the most up-to-date version, which can be found under www.pepperl-fuchs.com.

1.5 Marking

WirelessHART[®] Adapter

WHA-ADP-F8B2-0-P0-GP, WHA-ADP-F8B2-0-PP-GP-1, WHA-ADP-F8B2-N-PP-GP-1,
WHA-ADP-F8B2-P-PP-GP-1, WHA-ADP-F8B2-S-PP-GP-1, WHA-ADP-F8B2-T-PP-GP-1

Pepperl+Fuchs GmbH

Lilienthalstraße 200, 68307 Mannheim, Germany

1.6 Intended Use

The devices are only approved for appropriate and intended use. Ignoring these instructions will void any warranty and absolve the manufacturer from any liability.

The device must only be operated in the ambient temperature range and at the relative humidity (non-condensing) specified.

The device is an intelligent *WirelessHART* device designed for the transmission of measured values from connected C&I or HART devices.

The approved usage of the connected device(s) and gateway can be taken from the corresponding parts of their instruction manual.

1.7 Improper Use

Protection of the operating personnel and the overall system is not ensured if the product is not being used according to its intended purpose.

1.8 Mounting/Installation

Prior to mounting, installation, and commissioning of the device you should make yourself familiar with the device and carefully read the instruction manual.

The device must not be installed at locations where corrosive vapors may be present.

Do not install damaged or polluted devices.

Only use accessories specified by the manufacturer.

The usage of 2400 MHz equipment is bound to local restrictions. Ensure that local restrictions allow usage of this product before commissioning.

Country	Guideline
Bulgaria	General authorization required for outdoor use and public service.
Italy	If used outside of own premises, general authorization is required.
Japan	The device is granted pursuant to the Japanese Radio Law and the Japanese Telecommunications Business Law. The device must not be modified (otherwise the granted designation number will become invalid).
Latvia	The outdoor usage of the 2.4 GHz band requires an authorization from the Electronic Communications Office.
Norway	May be restricted in the geographical area within a radius of 20 km from the center of Ny-Alesund.
Rumania	Use on a secondary basis. Individual license required.

1.9 Operation, Maintenance, Repair

The devices must not be repaired, changed or manipulated.

If there is a defect, the product must always be replaced with an original device.

When the device is in operation, a distance of at least 20 cm must be maintained at all times between the device antenna and the body of the user or any other person within the vicinity of the measuring point irrespective of application or use.

Only use accessories specified by the manufacturer.

The device uses a battery unit containing non-rechargeable, high-power batteries. Please refer to the separate battery safety instructions before storing, handling, transporting and disposing of the batteries.

Leaking battery acid may cause personal injury and damage to the device.

- Never use batteries that are leaking.
- Never use batteries with external damages such as dents or deep scratches, even if no battery acid is leaking.

1.10 Delivery, Transport, Disposal

Check the packaging and contents for damage.

Check if you have received every item and if the items received are the ones you ordered.

Keep the original packaging. Always store and transport the device in the original packaging.

Always store the device in a clean and dry environment. The permitted storage temperature (see data sheet) must be considered.

Disposing of devices, packaging material, and possibly contained batteries must be in compliance with the applicable laws and guidelines of the respective country.

2 Product Specifications

2.1 Introduction

The HART® (Highway Addressable Remote Transducer) communication protocol is used by many 4 ... 20 mA transmitters to enable digital communication for diagnosis and maintenance purposes. Many device parameters, but also measurement values, can be transmitted digitally to and from the device. Until now, HART® technology has mostly been using the wired 4 ... 20 mA loop as physical layer.

WirelessHART® technology now allows for the wireless transmission of HART® data. To be employable worldwide, *WirelessHART*® technology utilizes the 2.4 GHz Band (IEEE 802.15.4 wireless network) as physical layer. All *WirelessHART* devices form a mesh network in which every device is not just a measurement point, but also a repeater. This results in a bigger range of the whole network as well as an increased reliability through redundant communication paths.

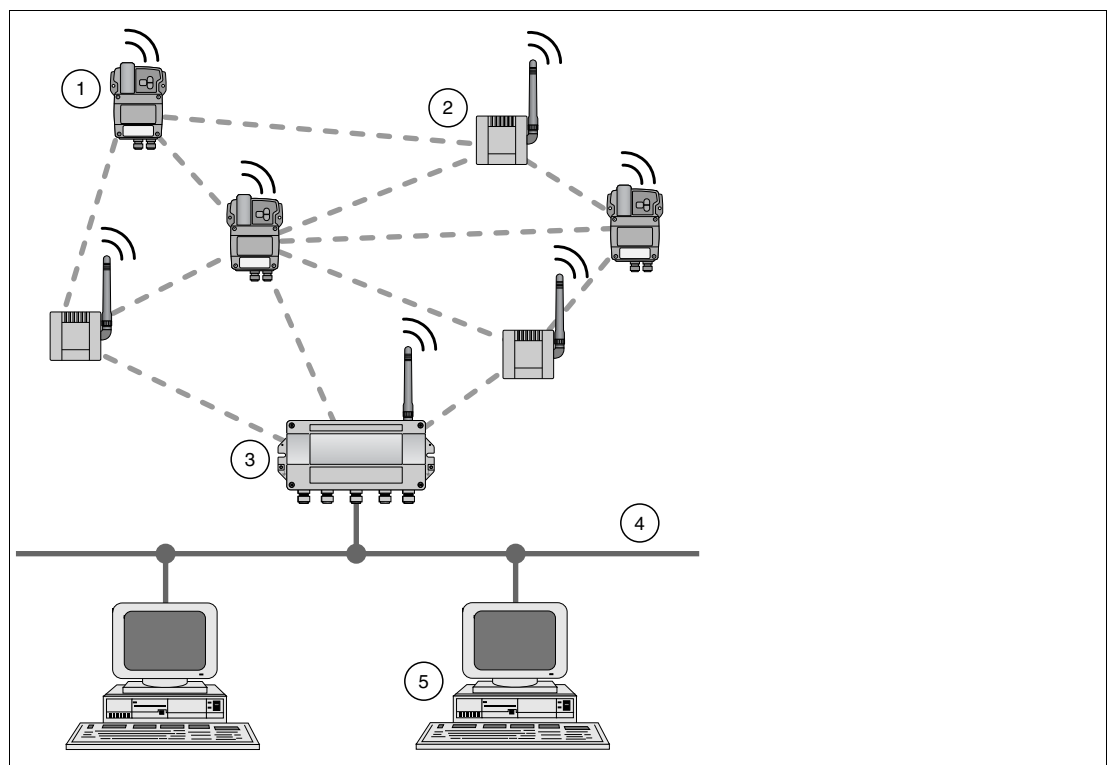


Figure 2.1 *WirelessHART* mesh network

- 1 *WirelessHART* Temperature Converter
- 2 *WirelessHART* Adapter
- 3 *WirelessHART* Gateway
- 4 Fieldbus/Ethernet
- 5 Host applications

The *WirelessHART* network is built up, organized and maintained by the *WirelessHART* Gateway and is therefore self-organizing and self-healing. The *WirelessHART* Gateway also takes care for connection to different host systems through different industrial protocol bus interfaces.

The *WirelessHART* Gateway supplies *WirelessHART* Temperature Converters and *WirelessHART* Adapters with the necessary information for seamless network operation.

2.2 Functional Overview

The *Wireless*HART adapter is an intelligent interface module that connects HART and 4 ... 20 mA devices to a *Wireless*HART network. It transmits the measurement and diagnosis information acquired from the connected device(s) to a host application via the *Wireless*HART Gateway.

Key Functions

- May be connected directly to a HART device or mounted separately. Up to 4 HART devices may be connected.
- LEDs for supply status, communication status and device status indication.
- Provides loop-power to the connected device. Alternatively, the connected device may be powered externally.
- Battery life estimation and "Low Battery" alarm

2.3 Scope of Delivery

The scope of delivery of the *Wireless*HART adapter includes:

- *Wireless*HART Adapter with installed battery unit W-BAT-B2-Li, if ordered
- Short instructions and CD-ROM

Depending on the order, the delivery may also include the following:

- Wall/pipe mounting kit
- 38 cm cable for connecting the adapter to a field device
- A connection adapter for connecting to the cable entry of a field device: M20/M20 or M20/G 1/2 with two Viton gaskets, M20/NPT 1/2 or M20/NPT 3/4 with one Viton gasket.
- Cable gland

2.4 Design

Controls and Indicators

The button and the LED indicators are inside the housing.

Further information on the indications of the LEDs and the functions of the button: see chapter 6.1.

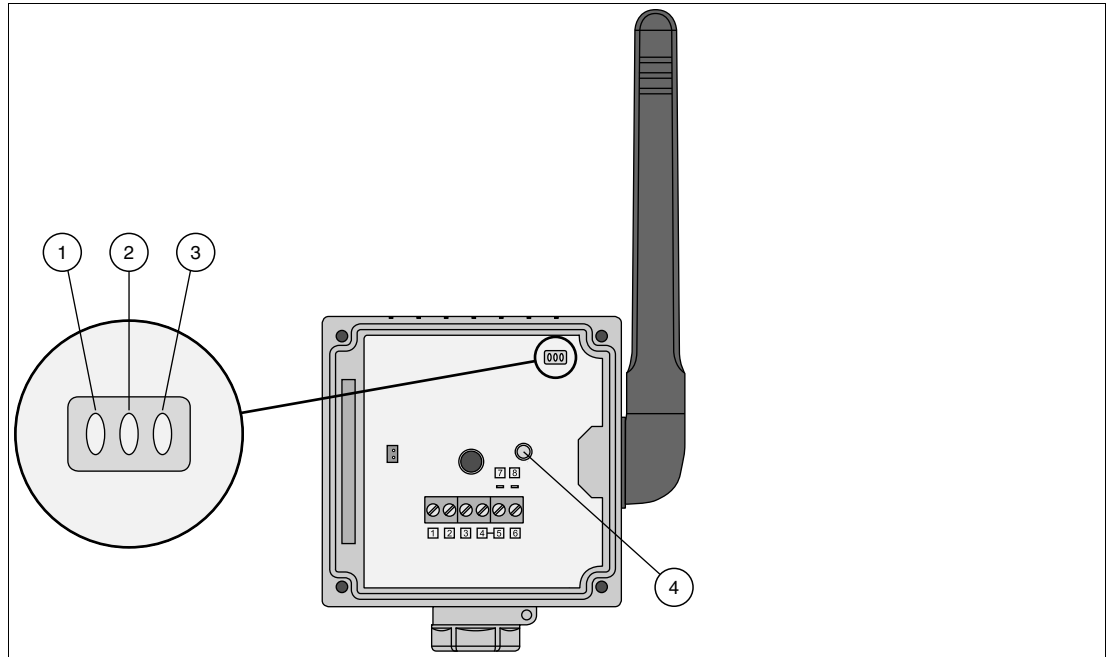


Figure 2.2 Controls and indicators

- 1 Red LED
- 2 Green LED
- 3 Yellow LED
- 4 Button

Connections and Interfaces

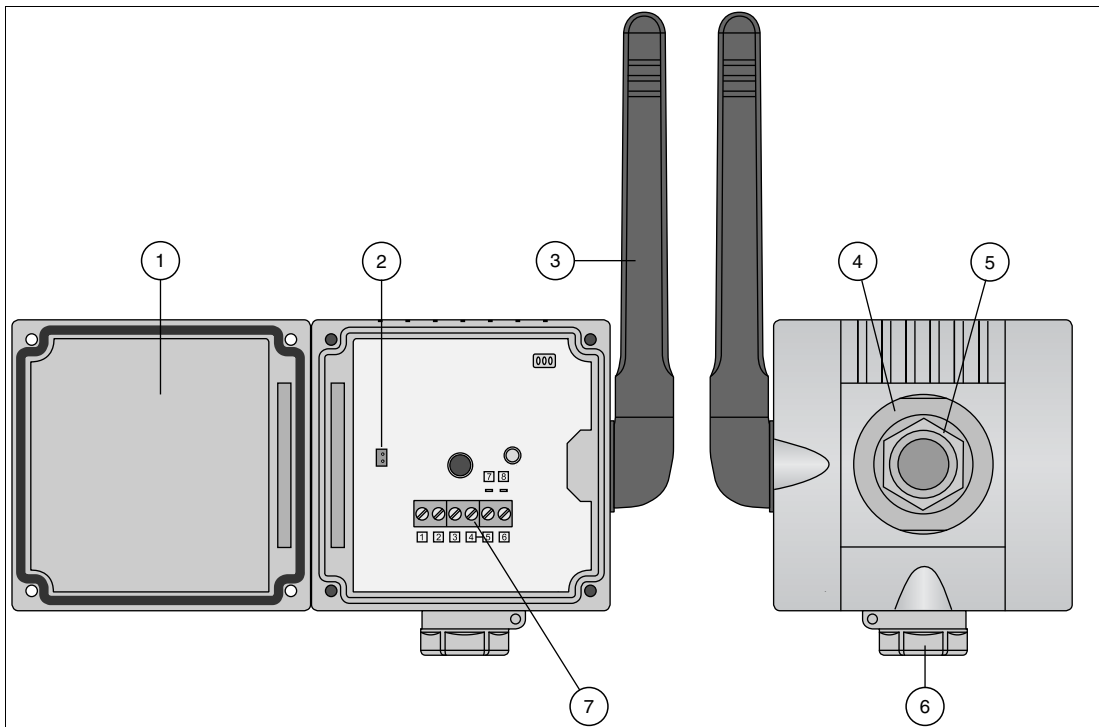


Figure 2.3 Connections and interfaces

- 1 Housing cover with battery compartment
- 2 Connector for battery power
- 3 Antenna
- 4 Counternut
- 5 Primary M20x1.5 cable gland
- 6 Secondary M20x1.5 cable gland
- 7 Terminal block

3 Installation

3.1 Mounting Considerations

3.1.1 Positioning the Device

We recommend that you install the *WirelessHART* Gateway before installing other *WirelessHART* devices. This way, you can check for proper operation of new devices as they are installed. Please refer to the manual of the *WirelessHART* Gateway for further information.

Guidelines for Planning a *WirelessHART* Network

- A line-of-sight between communication partners always is desirable. If a line-of-sight is not possible, the obstacles should not be massive and the partners should be more to the edge of an obstacle to allow the wave to "bend" around it (diffraction effect).
- Consider moving objects that could affect the device's antenna range.
- Install wireless devices at least 1 m above the ground or the floor.
- Make sure that the device's antenna is aligned vertically for best results.
- Make sure that a minimum of 2 other *WirelessHART* devices are well within the antenna range of the device.
- Do not position *WirelessHART* devices directly below or above each other. They would be outside each other's antenna range.
- Install *WirelessHART* devices at least 1 m away from each other.
- Antennas must be at least 6 cm away from any wall or any metallic material running parallel to it.
- Position the device as far away as possible from metal surfaces or walls containing metal. There should be as little metal close to the device as possible.
- Do not position other 2.4 GHz devices like cordless phone bases or WLAN routers near *WirelessHART* devices. Keep in mind other wireless networks using the same frequency spectrum (WLAN, Bluetooth, etc.). Wireless technologies used in an industrial environment must be able to coexist without disrupting each other. If multiple networks operate in one facility, a frequency management should be applied as part of administration.

3.1.2 Antenna Characteristics

Before mounting the device, you should consider the antenna characteristics and the propagation of the radio waves. The following diagrams show the antenna gain in two different planes.

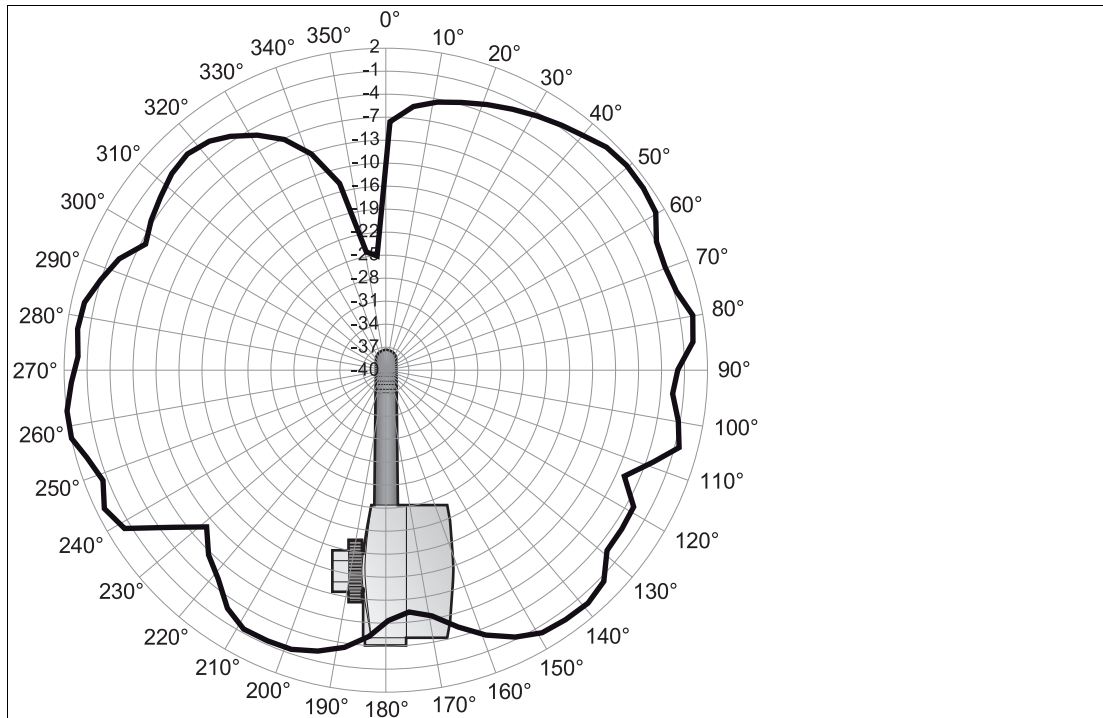


Figure 3.1 Antenna gain (side view, 2450 MHz, dBi)

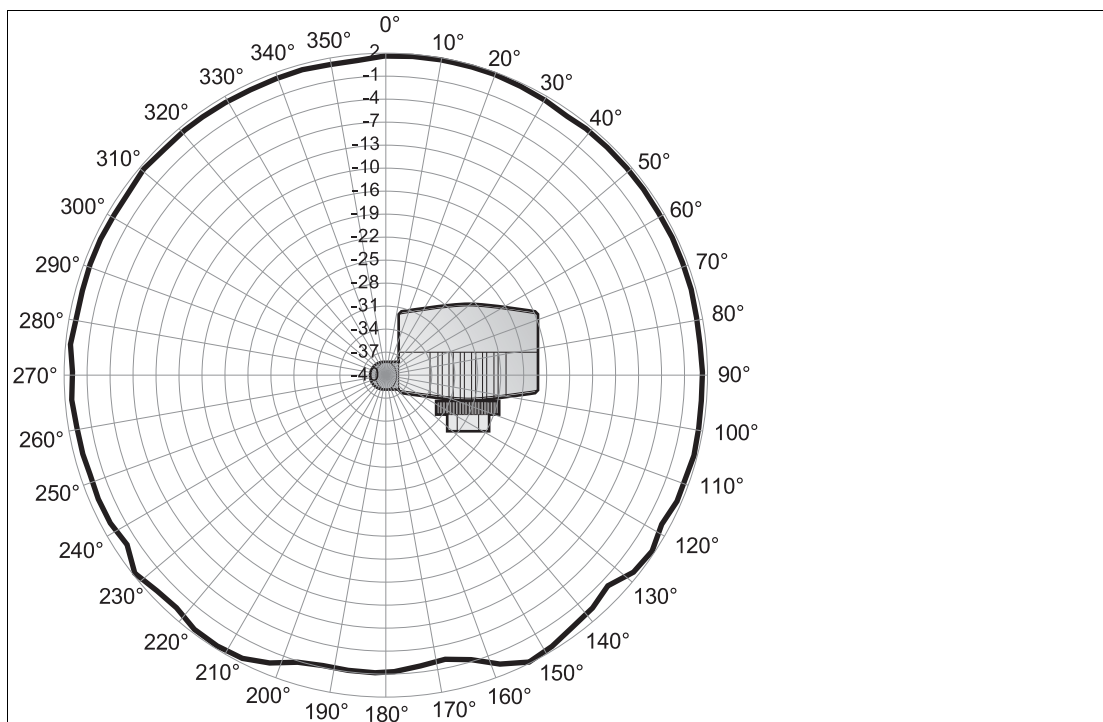


Figure 3.2 Antenna gain (top view, 2450 MHz, dBi)

221980 2013-11

3.1.3 Examples for Good and Poor Positioning

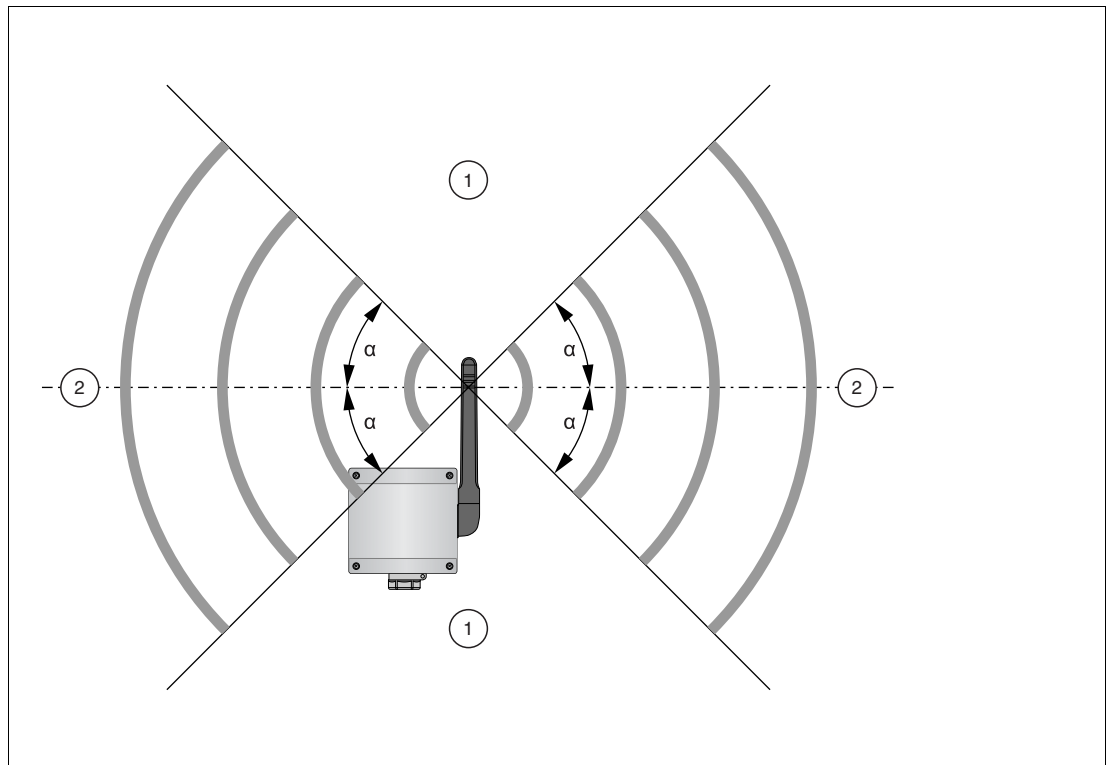


Figure 3.3 Wave propagation, schematic representation (alpha = approx. 45°, may vary considerably)

- 1 Weaker signal above and below
- 2 Stronger signal sideways

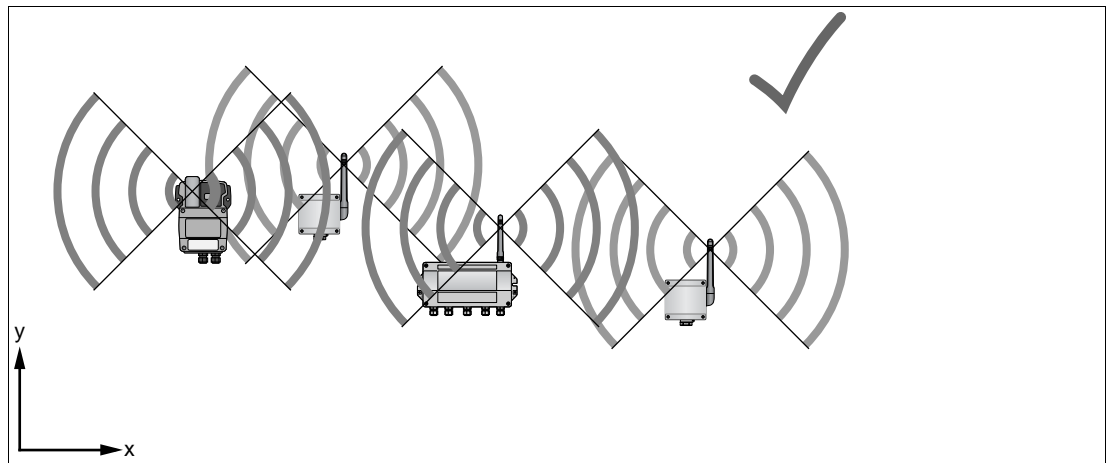


Figure 3.4 Good positioning: Devices are within each others antenna range

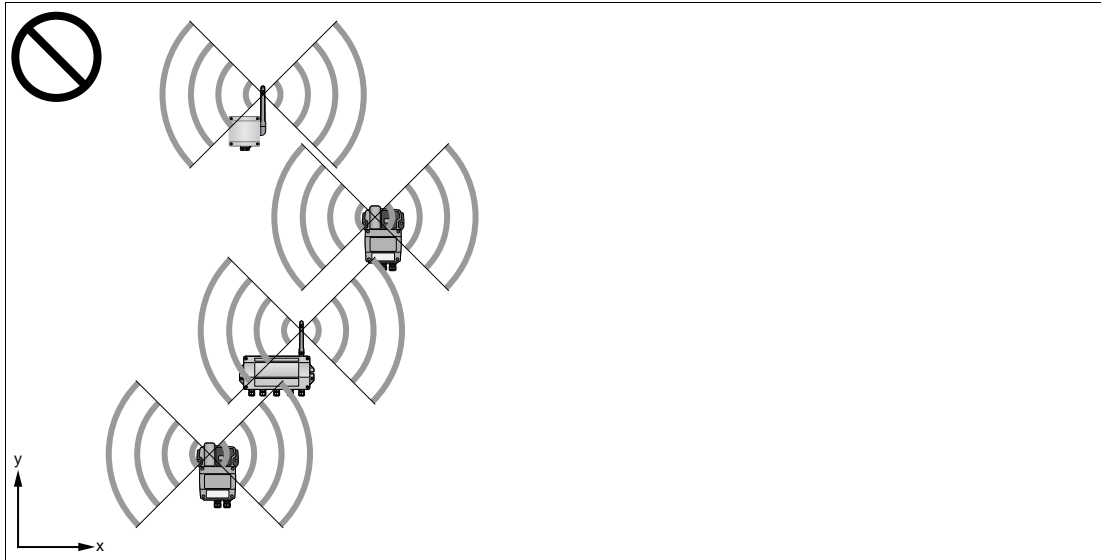


Figure 3.5 Poor positioning: Devices are not within each others antenna range

3.2 Mounting the Device

The *WirelessHART* adapter can be mounted in one of three ways:

- direct connection to the field device,
- separate from the field device, but connected by a cable,
- when used as a repeater, as an autark unit.

Direct connection

The direct connection to a field device is made by means of an adapter piece which is screwed into the cable entry at the side of the adapter. See chapter 3.2.1

Separate mounting

The adapter can be mounted on a wall (see chapter 3.2.2), post (see chapter 3.2.3) or other object, using the adapter wall/pipe mounting kit, which is available as an accessory. The connection to the field device is made with standard installation cable and two cable glands. It is recommended that the blind plug be left in place until the electrical connection is made.

It is recommended that the *WirelessHART* adapter be installed separate from a field device when:

- there is insufficient space at the measuring point to mount the adapter on the field device,
- the signal reception at the measuring point is too weak for correct operation,
- the measuring point is subject to vibration above the permissible limits. See chapter 9

Supplied parts

Depending on the order, the following parts may be supplied:

- adapter piece for connection to a field device with a M20 cable entry,
- adapter piece for connection to a field device with a G 1/2 cable entry,
- adapter piece for connection to a field device with a NPT 1/2 cable entry,
- adapter piece for connection to a field device with a NPT 3/4 cable entry,
- M20 cable gland for separate mounting,
- wall/pipe mounting kit.

3.2.1 Installation on a Field Device

Required tools:

- Metric spanner AF 24 (SW 24) for the connection adapter
- Metric spanner AF 25 (SW 25) for the counternut

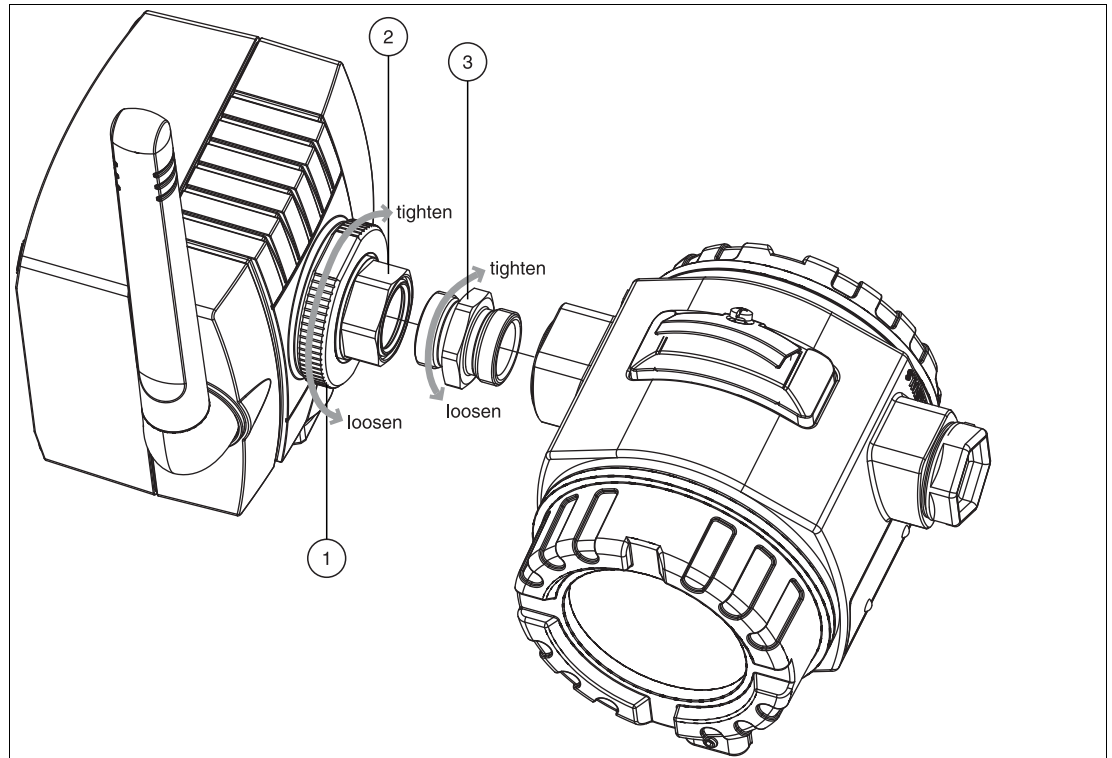


Figure 3.6 Installation on a field device

- 1 Counternut
- 2 Cable entry
- 3 Connection adapter



Tip

Loosening the counternut allows the adapter to be screwed into position without the need to turn the adapter housing.



Mounting the adapter directly on a field device

1. Remove the blind plug from the cable entry at the side of the adapter.
2. Push a Viton gasket on either side of the connection adapter supplied with the adapter.
3. Using a spanner, screw the connection adapter tightly into the cable entry of the field drive (torque 5 Nm + 1 Nm).
4. Loosen the counternut on the adapter.
5. Insert the other end of the connection adapter into the cable entry of the adapter and screw tight (torque 5 Nm + 1 Nm).
6. Align the adapter so that the antenna is vertical.
7. With the cable entry nut held with a spanner, tighten the counternut (torque 7 Nm).

3.2.2 Mounting to a Wall

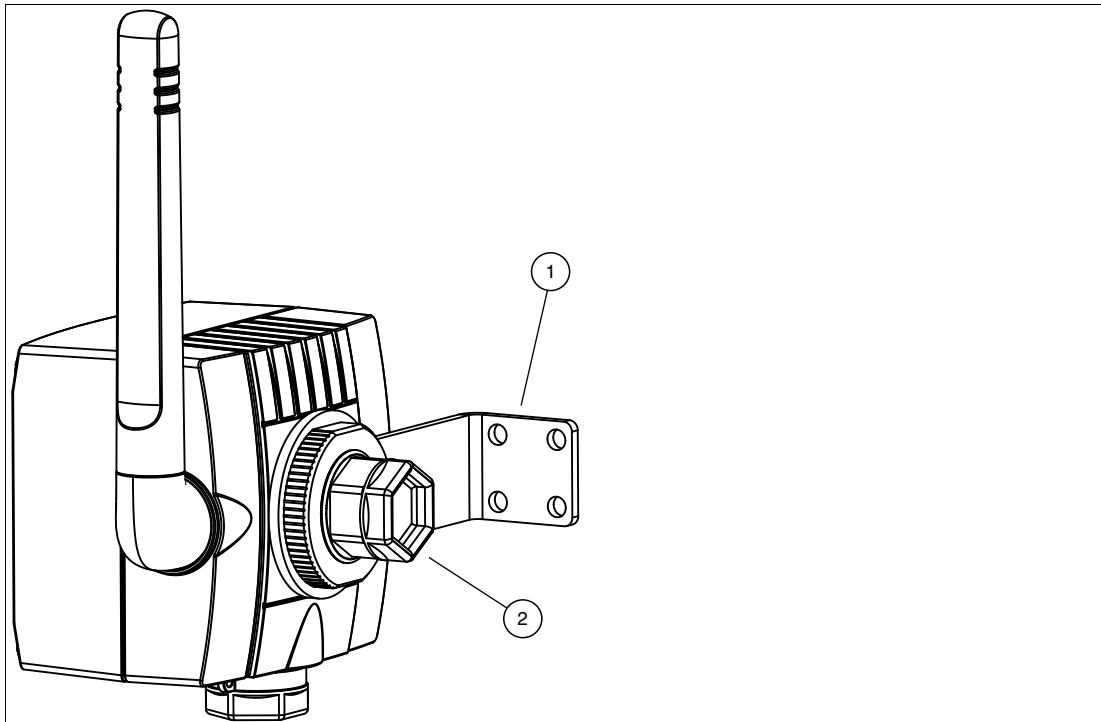


Figure 3.7 Mounting to a wall with mounting bracket

- 1 Mounting bracket
- 2 Blind plug

As an addition to the tools already listed (see chapter 3.2.1), an M4 Allen key/bit is required to tighten the mounting bracket screws.

Mounting to a wall with mounting bracket

1. Mount the mounting bracket at a suitable position on the wall.
2. Unscrew and remove the counternut.
3. Thread the cable entry through the hole in the mounting bracket such that the antenna is on the side farthest away from the wall.
4. Remount the counternut and screw until the adapter is loosely held.
5. Align the adapter so that the antenna is vertical.
6. With the cable entry nut held with a spanner, tighten the counternut (torque 7 Nm).

3.2.3 Mounting to a Pipe



Note!

The maximum pipe diameter for pipe mounting is 70 mm.

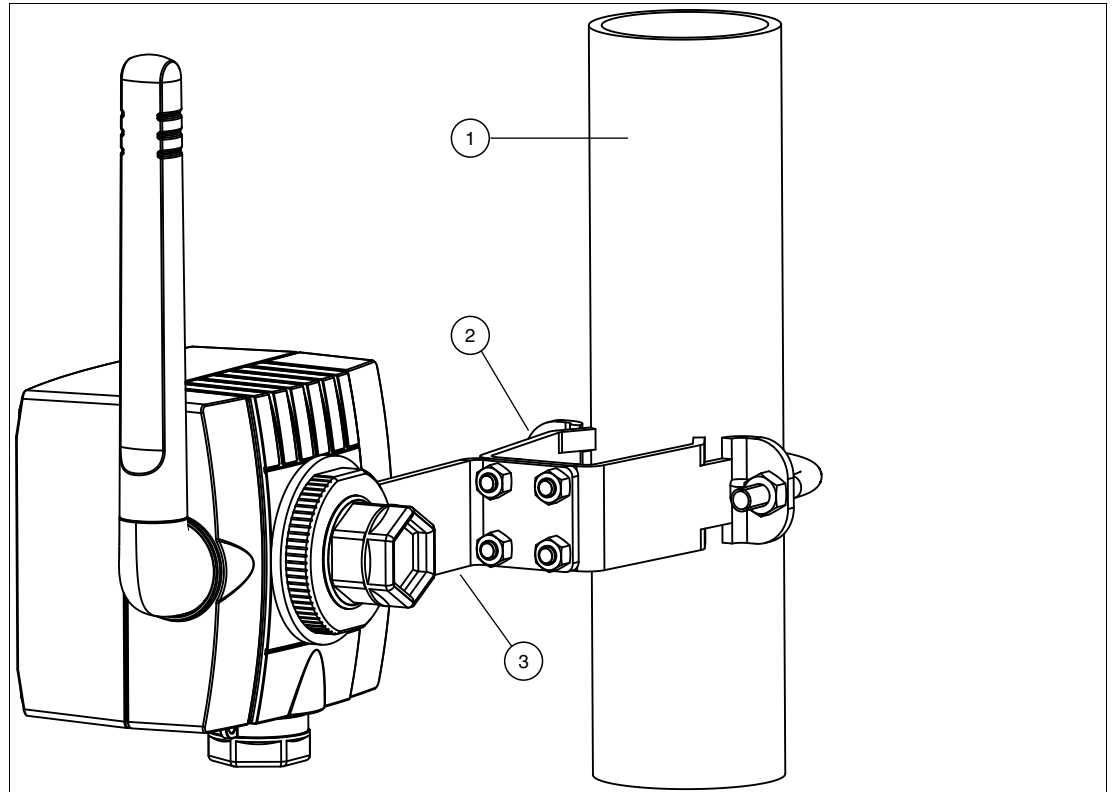


Figure 3.8 Mounting to a pipe

- 1 Pipe/post, \varnothing max. 70 mm
- 2 Pipe mounting bracket
- 3 Mounting bracket



Mounting to a Pipe

1. Mount the pipe mounting bracket at a suitable position on the pipe and screw tight (torque min. 5 Nm).
2. Using the four screws supplied, screw the mounting bracket to the pipe mounting bracket (torque 4 Nm + 1 Nm).
3. Unscrew and remove the counter nut.
4. Thread the cable entry through the hole in the mounting bracket such that the antenna is on the side farthest away from the wall.
5. Remount the counter nut and screw until the adapter is loosely held.
6. Align the adapter so that the antenna is vertical.
7. With the cable entry nut held with a spanner, tighten the counter nut (torque 7 Nm).

3.3 Electrical Connection to other Devices

The *WirelessHART* adapter can be connected to the following device types/configurations.

- Field device operating in a control loop without communication resistor
- Field device operating in a control loop with communication resistor
This configuration is used for HART multidrop with 2, 3, or 4 devices
- Two-wire field device operating independently with power supplied by the adapter
- Four-wire field device operating independently with power supplied by an external source

The devices are connected to the terminal block located inside the adapter housing.

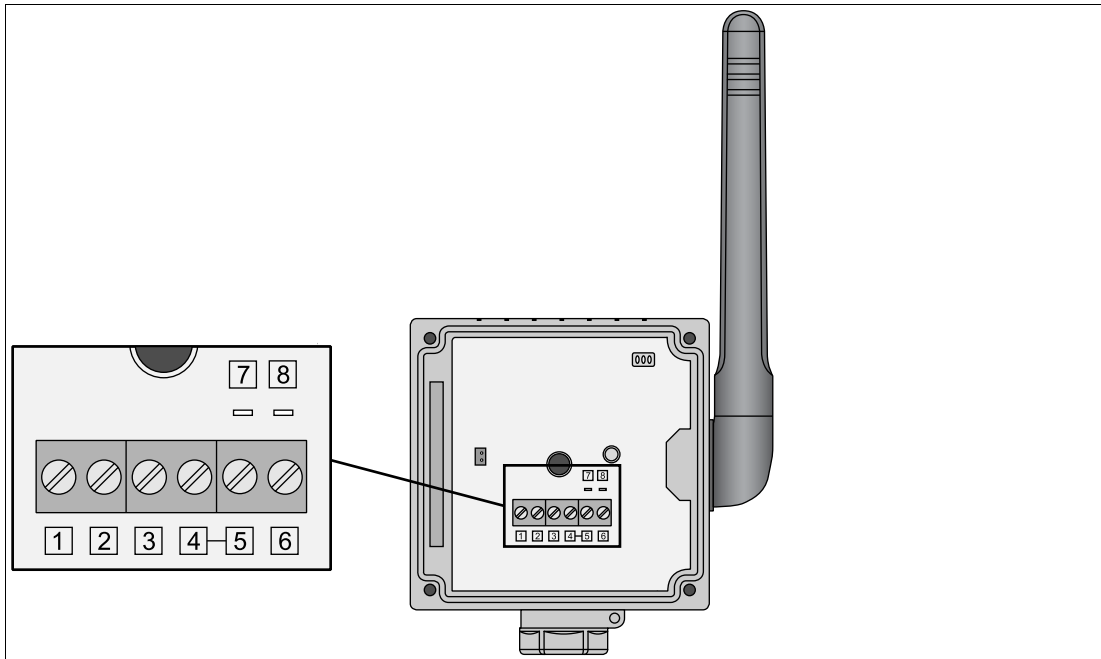


Figure 3.9 Terminal block (1 ... 6) and terminals for HART modem (7 + 8)

Terminal	Function
1	Device supply
2	HART / 4 ... 20 mA
3	External Supply / GND
4, 5, 7	HART high impedance
6, 8	High impedance GND

3.3.1 Wiring Diagrams

Control loop without communication resistor

In this configuration, the field device is powered externally by a PLC, Remote I/O, or DC power supply and outputs a 4 ... 20 mA signal.

The adapter provides the following functions:

- Current measurement via 4 ... 20 mA interface
- HART digital communication, if supported by the connected device

For communication with the adapter, a HART modem can be connected to terminals 5/7 and 6/8.



Note!

The connection is made across the 270 Ω communication resistor of the adapter.

The circuits in the following 2 figures are electrically identical as terminal 4 and 5 are connected internally.

→ see Figure 3.10 on page 21

→ see Figure 3.11 on page 21

For loops with two signal lines, the adapter should be wired as shown in the following figure.

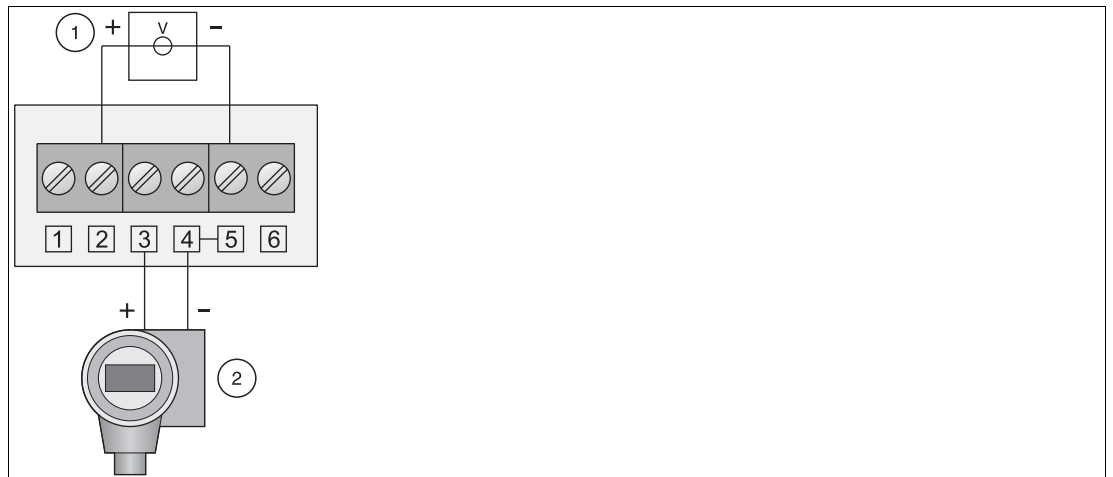


Figure 3.10 Connection of adapter to a control loop without communication resistor

- 1 PLC, Remote I/O, DC power supply without communication resistor
- 2 Field device (passive)

For loops with only one signal line (common ground), the adapter should be wired as shown in the following figure.

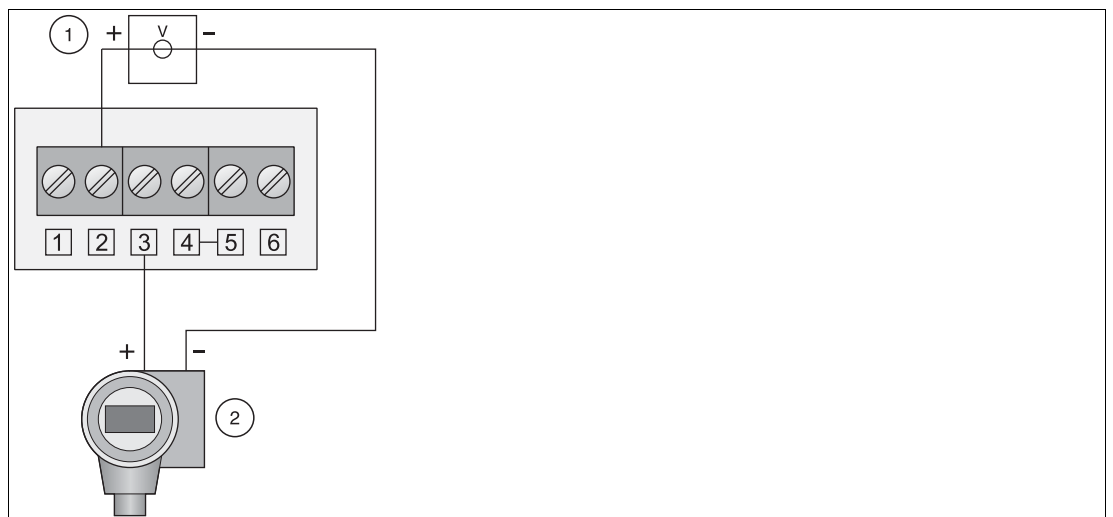


Figure 3.11 Alternative method of connection of adapter to a control loop without communication resistor

- 1 PLC, Remote I/O, DC power supply without communication resistor
- 2 Field device (passive)

Control loop with communication resistor

In this configuration, the field device is powered externally by a PLC, Remote I/O or DC power supply and outputs a 4 ... 20 mA signal. Alternatively it is used in HART multidrop mode. The adapter provides the following functions:

- HART digital communication

For communication with the adapter, a HART modem can be connected to terminals 5/7 and 6/8.



Note!

The circuits in the following 2 figures are electrically identical as terminal 4 is connected internally to terminal 5 and terminal 3 is connected internally to terminal 6.

→ see Figure 3.12 on page 22

→ see Figure 3.13 on page 23

Existing installations: For existing installations, we recommend that the adapter is wired as shown in the following figure.

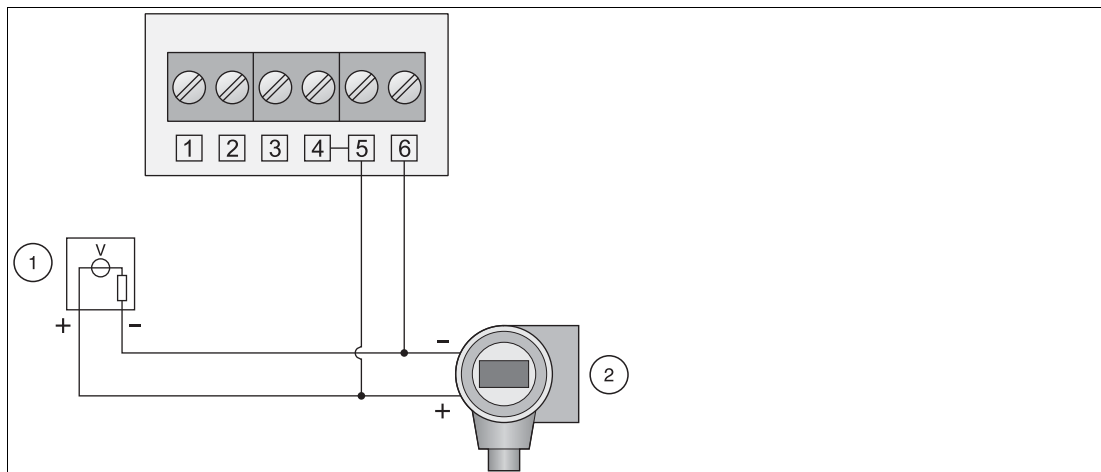


Figure 3.12 Connection of adapter to a control loop with communication resistor

- 1 PLC, Remote I/O, DC power supply with communication resistor
- 2 Field device

New installations: For new installations, we recommend that the adapter is wired as shown in the following figure.

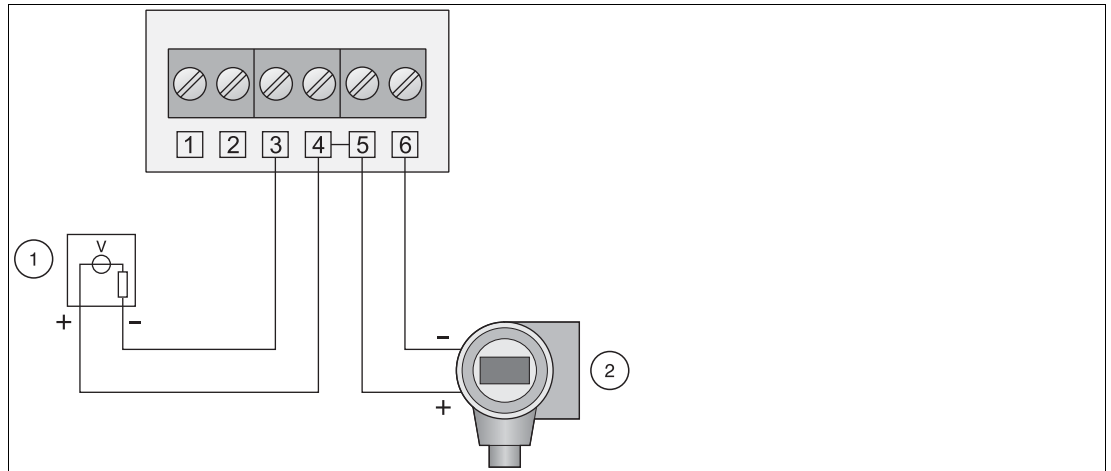


Figure 3.13 Alternative method of connection of adapter to a control loop with communication resistor

- 1 PLC, Remote I/O, DC power supply with communication resistor
- 2 Field device

Two-wire device powered by adapter

In this configuration, the field device is operating independently and is powered by the adapter. The adapter provides the following functions:

- Current measurement via 4 ... 20 mA interface,
- HART digital communication, if supported by the connected device.



Note!

For HART devices, we recommend that the device is operated in multidrop mode to prolong battery life. In this case, a polling address between 1 and 14 is set and the device outputs a constant current of 4 mA.

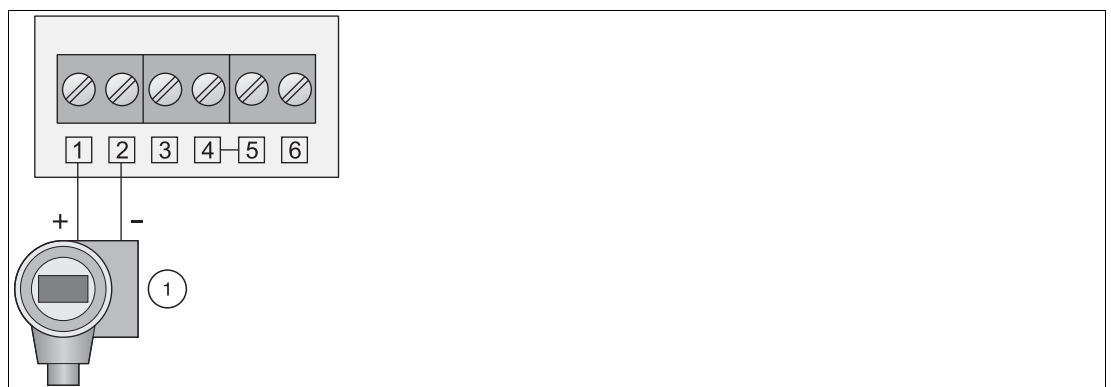


Figure 3.14 Connection of loop-powered device to **active adapter**

- 1 Field device (passive)

Four-wire device

In this configuration, the field device is operating independently and is powered by an external power source. The adapter provides the following functions:

- Current measurement via 4 ... 20 mA interface,
- HART digital communication, if supported by the connected device.



Figure 3.15 Connection of active four-wire device to **passive adapter**

- 1 Four-wire field device (active)
- 2 External Power Source

3.3.2 Connecting Cables

Required tools:

- Phillips screwdriver PZ1 to open the adapter cover,
- Screwdriver with 2.5 mm blade to make the connections.

If the adapter is mounted on the field device, use the two wires supplied to make the connection.

If the adapter is to be mounted separately, standard installation cable can be used. If strong electromagnetic interference is to be expected (machines, walkie-talkies), use shielded, twisted pairs. Connect the shield to the ground terminal.

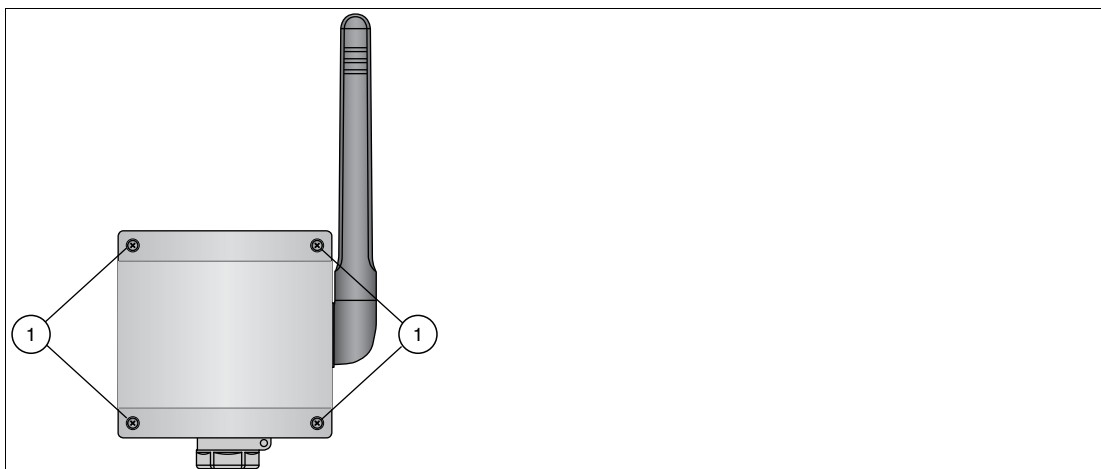


Figure 3.16 Opening the cover

- 1 Captive screws

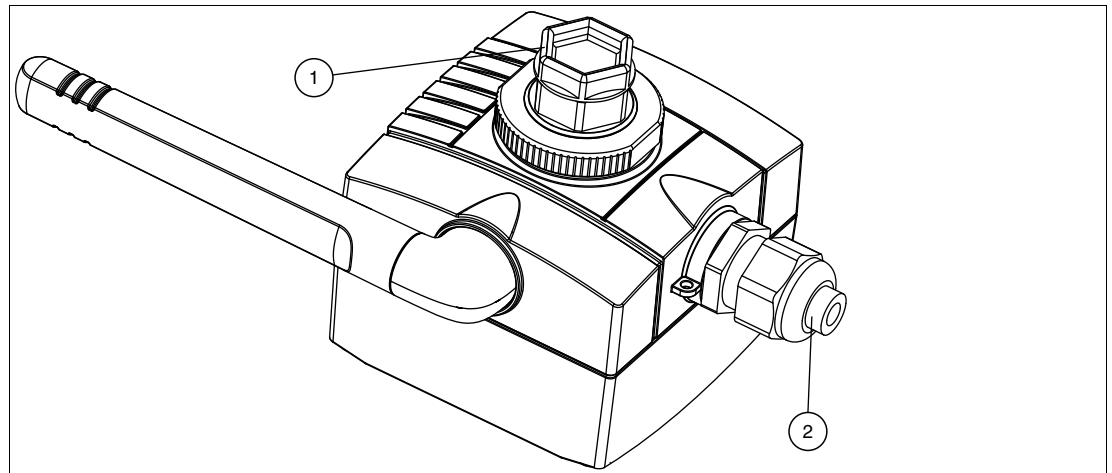


Figure 3.17 Cable entries

- 1 Primary cable entry (blind plug seals adapter when cable entry not in use)
- 2 Secondary cable entry with M20x1.5 cable gland

**Note!**

The secondary cable entry in the base of the adapter should be used in following situations:

- if the adapter is mounted separately on a wall or pipe
- for the power cables when the field device is operating in a control loop

**Direct wiring (adapter mounted on field device)**

When the adapter is mounted directly on the field device, the wiring is done through the connection adapter as follows.

1. Open the housing of the adapter by unscrewing the four captive screws. Also open the connection compartment of the field device.
2. Thread the two wires supplied through the connection adapter (primary cable entry).
3. Connect the *WirelessHART* adapter according to the appropriate wiring diagram. See chapter 3.3.1
4. If an external power line is to be connected, use the secondary cable entry.
5. Connect the field device according to the instructions in its operating manual.
6. If the devices are not to be commissioned immediately after connection, close the housing and field device connection compartment.
7. In order to obtain optimal sealing of the adapter housing, tightened the screws to a torque of 0.5 Nm.

**Wiring (adapter mounted separately)**

1. Open the housing of the adapter by unscrewing the four captive screws. Also open the connection compartment of the field device.
2. Using a M20x1.5 cable gland, thread the connecting or power cable through the secondary cable entry into the adapter.
3. Connect the *WirelessHART* adapter according to the appropriate wiring diagram. See chapter 3.3.1
4. Pull the cable taut. The adapter cover is a tight fit and a trapped cable may prevent proper closure.
5. Tighten the cable gland.

6. Connect the field device according to the instructions in its operating manual.
7. If the devices are not to be commissioned immediately after connection, close the housing and field device connection compartment.
8. In order to obtain optimal sealing of the adapter housing, tightened the screws to a torque of 0.5 Nm.
9. Tighten the cable gland and, if required, the blind plug to a torque of 3.5 Nm.

Electrical Specification

Loop power for field device (Terminal 1):	
Offload voltage	8 VDC to 23 VDC, adjustable in steps of 0.1 VDC
Current	$4 \text{ mA} \leq I_{\text{out}} \leq 20 \text{ mA DC}$ corresponding to the NAMUR recommendation NE 43
4 ... 20 mA/HART input (Terminal 2)	
Current	$4 \text{ mA} \leq I_{\text{in}} \leq 20 \text{ mA DC}$ corresponding to the NAMUR recommendation NE 43
High impedance HART interface (Terminals 4, 5, 6)	
Input impedance	3.7 k Ω for HART communication, Version 1.00.xx 5.0 k Ω for HART communication, Version 1.01.xx upwards
DC input impedance	infinite
Maximum terminal voltage	
Across Terminals 2 + 3:	$U_i \leq 30 \text{ V DC}$
Across Terminals 5 + 6:	$U_i \leq 30 \text{ V DC}$



Note!

Due to the internal communication resistor, the supply voltage of the field device depends upon the offload voltage and the current signal.

4 Commissioning

4.1 Connected HART Device(s)

It is recommended that the connected HART device is commissioned before the adapter.



Note!

- It is not necessary to assign different HART addresses for different adapters. The addresses used on the network also incorporate the serial number of the adapters and are automatically unique for each adapter.
- 4 ... 20 mA devices require no pre-configuration. The scaling and any linearization are configured within the adapter DTM.



Parameterizing the field device

1. Connect a configuration tool, for example, PACTware™ to the field device using a HART modem.
If the adapter shall power the field device, first power the adapter by connecting the battery and then continue with this step. During the start-up phase of the adapter, the field device goes on and off again. If the field device does not power up again after the communication started, power the field device for 5 minutes (time can be configured in adapter DTM) by pushing the adapter button for more than 10 seconds until the red LED flashes.
2. Set the following parameters for the field device:
 - HART address: sets the output mode of the device (0 = 4 ... 20 mA; 1 ... 15 = HART)
 - **If the device is connected to an existing 4...20 mA loop, use the address = 0**
 - Otherwise use address = 1 for HART multidrop mode with a 4 mA current output.
 - If more than one HART device is connected (up to 4 are allowed if externally powered), each must have a unique address between 1 and 14, e.g. 1, 2, 3, 4.
 - Device Tag: identifies the measuring point.
 - Long Tag: identifies the device on the wireless network.
Long Tags are available from HART Version 6.0 onwards. For earlier versions, for example, HART 5 instruments, use the Message instead.

4.2 Connecting the Battery



Warning!

Caustic battery acid

Leaking battery acid can cause personal injury and damage to the device.

- Never use batteries that are leaking.
- Never use batteries with external damage such as dents or deep scratches, even if no battery acid is leaking.



Caution!

Possible damage because of wrong battery

Using the wrong type of battery may cause damage to the device.

Use lithium primary batteries from Pepperl+Fuchs approved for this device only.



Connecting the battery

The adapter is delivered with the battery unit installed but not connected. It is connected as follows.

1. If necessary, open the adapter cover by unscrewing the four captive Phillips screws. → see Figure 3.16 on page 24
2. Plug the battery cable into the battery connector.

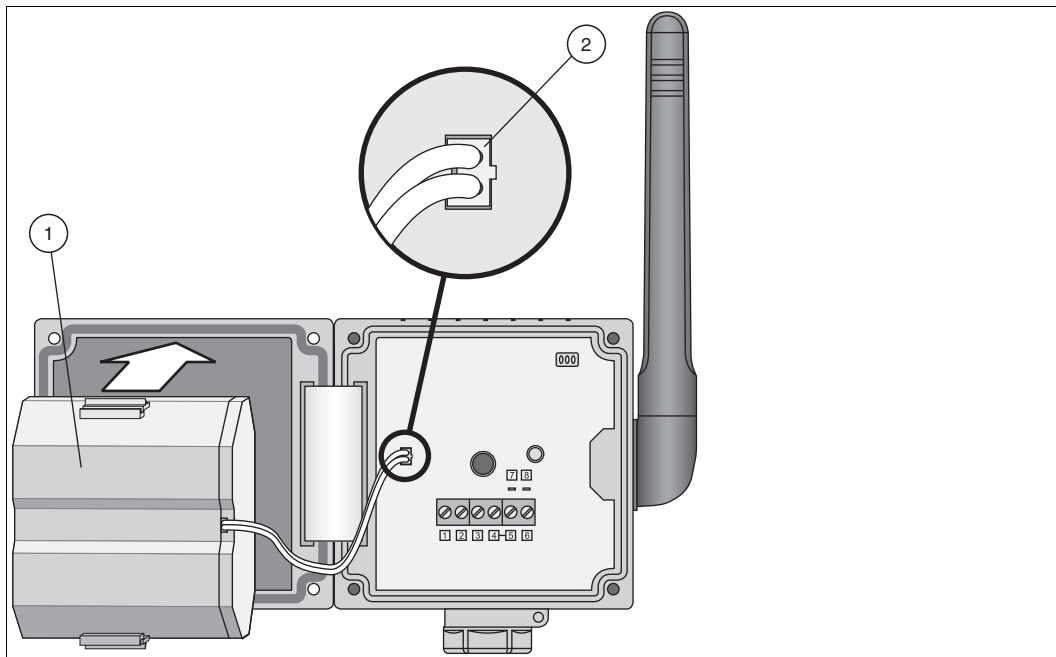


Figure 4.1 Inserting and connecting the battery

- 1 Battery
- 2 Battery cable plugged into battery connector

↳ As soon as the battery is connected, the adapter initializes.

- The occupation of the terminals is checked.
- The type of device connected is checked.
- If a HART device is connected, its data are read into the adapter.
- The LEDs indicate the status of the device. see chapter 6.1.1
- The adapter is now ready for commissioning.

4.3 Initial Configuration via HART Modem

For security reasons, the Network ID and Join Key must be configured through a wired connection before the device can connect itself to a *WirelessHART* network. To do so, you can use a HART modem that connects to a PC/Laptop using the USB interface or the RS232 interface.



Connecting the device to a PC/Laptop via HART modem

Install the HART modem drivers on your PC/Laptop according to the instructions given by the manufacturer.

1. If necessary, open the housing cover by unscrewing the four captive Phillips screws. → see Figure 3.16 on page 24
2. Connect the HART modem to terminals 7 + 8. You can also use terminals 5 + 6 as these terminals are connected internally. → see Figure 3.9 on page 20
If the HART modem has an internal communication resistor, this should be switched off at the first attempt to communicate. If communication fails, a resistor may be required. See chapter 8
3. Switch on your PC/Laptop.
4. Plug the HART modem into the USB/RS232 port.
↳ If using the USB port, your PC/Laptop should recognize the HART modem automatically. If using the RS232 port, proceed with the next step.
5. To find out to which COM port the HART modem is connected, open the Windows® device manager. For example, if using Windows® XP, click **Start > Settings > Control Panel > System > Hardware > Device Manager**, or if using Windows® 7, click **Windows Icon > Control Panel > System > Device Manager**.
↳ Under **Ports (COM & LPT)** you see the HART modem and the COM port assigned to it. You will need the COM port number later on.

4.4 DTM Software

4.4.1 Downloading the Required Software

Required software:

- Microsoft® .NET Framework
- PACTware™ Framework
- *WirelessHART* DTM
The DTM collection including *WirelessHART* device DTMs and Ethernet communication DTM.
- HART CommDTM
The HART CommDTM has to be installed separately. It is required for wired communication via HART modem. The HART CommDTM supports both FSK (i.e. HART modem) and RS-485 interfaces.



Note!

If one of the software components is already installed on your system, the installation may be omitted.



Where to download the required software?

1. Open your internet browser and visit www.pepperl-fuchs.com.
2. Click **Products**.
3. Click **Software**.
4. Download the software components **Microsoft® .NET Framework**, **PACTware™**, **WirelessHART DTM** and **HART CommDTM**. You might need to scroll down the page to find the required component.
5. Unzip the downloaded files and store the data to your local hard drive.

4.4.2

Install the DTM Software Components

Your computer must meet the following requirements in order to run PACTware™ and the device DTM:

- Operating system: Windows® 2000 Service Pack 4, Windows® XP Service Pack 1/2/3 or Windows® Vista
- Software: Microsoft® .NET Framework Release 1.1 Service Pack 1
- Processor: 500 MHz or faster
- Memory: 256 MB RAM or more
- Disk space: 200 MB or more
- Graphics resolution: 1024 x 768 or higher
- Administrator privileges to enable software installation



Install the DTM Software Components

1. Install the Microsoft® .NET Framework by starting the corresponding setup.exe file and following the installation instructions given on the screen.
 2. Install PACTware™ by starting the corresponding setup.exe file and following the installation instructions given on the screen.
 3. Install the *WirelessHART* DTM collection by starting the corresponding setup.exe file and following the installation instructions given on the screen.
 4. Install the HART CommDTM by starting the corresponding setup.exe file and following the installation instructions given on the screen.
- ↳ You have installed the required software.

4.4.3 Updating the DTM Catalog

Once you have installed the FDT base application and the Device Type Manager (DTM) on the computer, the FDT base application's DTM catalog must be updated. The PACTware™ DTM catalog is called "Device Catalog" and is normally automatically updated when PACTware™ is launched.

If PACTware™ does not update the device catalog automatically, proceed as follows.



Updating the Device Catalog

1. Start PACTware™.
2. Select **View > Device Catalog** or press **F3** or click on the **Device Catalog** icon in the icon bar.
 - ↳ The **Device Catalog** window opens.
3. Click on the **Update Device Catalog** button to update the device catalog.

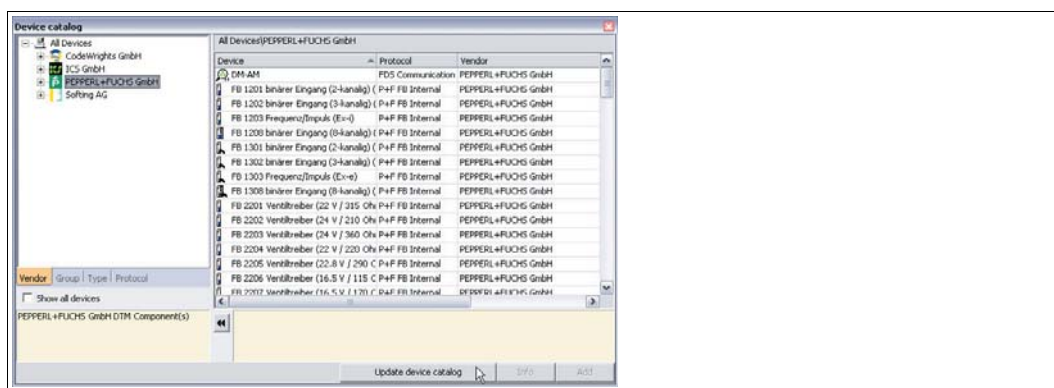


Figure 4.2 PACTware™ device catalog

4. Click on **Yes** to continue.
 - ↳ The updated device catalog appears once the search has finished.

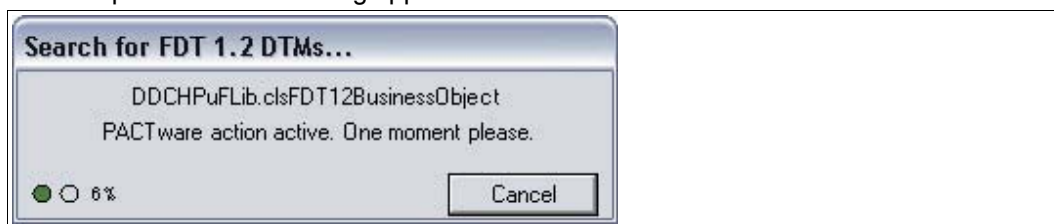


Figure 4.3 PACTware™ search for DTM

4.5 Creating a new Project in PACTware™

4.5.1 Creating a New Project



Creating a new project in PACTware™?

Select **File > New** or click on the **Create New Project** icon on the toolbar.



↳ A new, unnamed project appears in the main window. The project initially consists of the entry **HOST PC**.



4.5.2 Adding the Communication DTM

A communication DTM is an interface between the FDT frame application and the device DTM. The communication DTM enables communication between the device DTM and the device connected to the PC.

For the PC to communicate with the device via the HART modem, a HART communication DTM has to be added to the PACTware™ project.



Adding HART communication DTM



Note!

The HART CommDTM is not included in the *WirelessHART* DTM Collection. It can be downloaded separately from www.pepperl-fuchs.com. see chapter 4.4

1. Select the entry **HOST PC** in the project view of your PACTware™ project.
2. Choose **Device > Add device** or click the **Add device** icon on the toolbar.



↳ The **Device for** window appears.

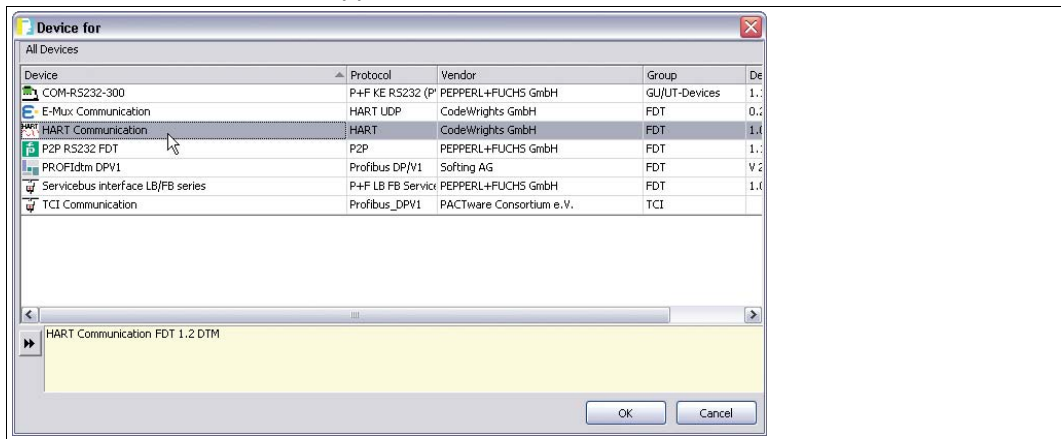


Figure 4.4 Selection of HART communication DTM

3. Select the entry **HART communication**.
4. Click **OK**.

↳ The HART communication DTM is added to the project.



Figure 4.5 HART communication DTM in PACTware™ project

5. To edit the parameters, double-click on the HART communication DTM.
- ↳ The parameter window appears.

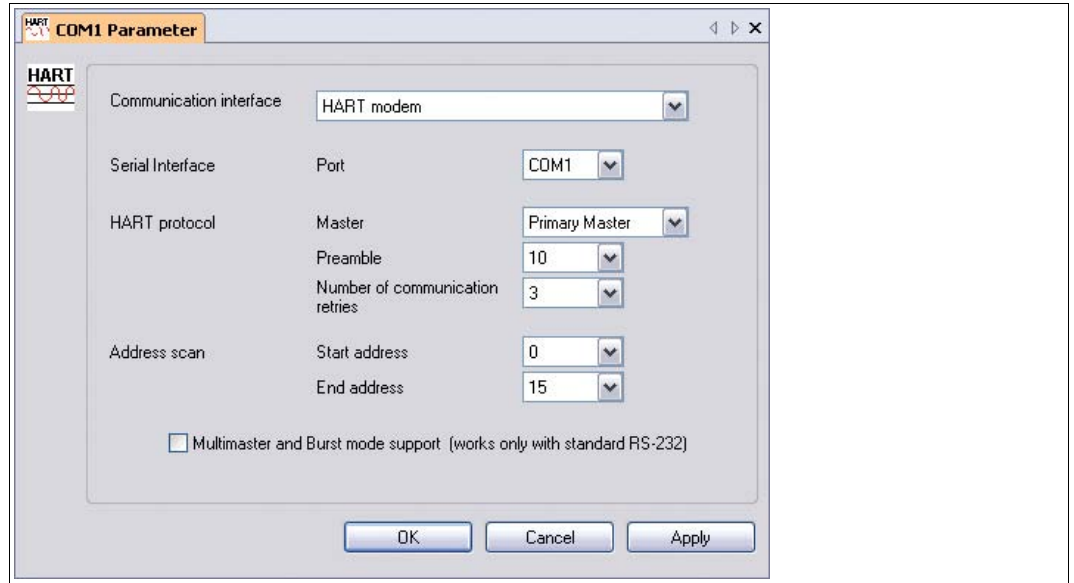


Figure 4.6 Parameter window of HART communication DTM

6. Set the parameters according to the following table.
7. Click **OK** to save the changes and to close the parameter window.

Parameter	Description	Default
Communication interface	Set this parameter to HART modem .	HART modem
Port	Set this parameter to the COM port your HART modem is connected to.	COM1
Master	Set this parameter to Secondary master .	Primary Master
Preamble	Number of preambles for HART communication.	5
Number of communication retries	The number of retries for HART communication in case of an error.	3
Start address	Here the address range is set, in which the HART Communication DTM is to search for HART devices connected to the HART modem. Set this parameter to Start address = 14 , End address = 15 . 15 is the default value of the adapter.	0
End address		15
Multimaster and Burst mode support	Activate this check box.	deactivated



4.5.3 Adding Device DTM



Performing a HART scan

In the Communications DTM, the function **Additional functions > Scan list** can be used to scan the connected HART devices.

1. In the project view, right-click on the entry of the communication DTM you have added in the previous step.
2. Choose **Connect**.
3. Choose **Additional functions > Scan list**.
4. If the scan does not begin on its own, click on the **Refresh** button.

↳ The scan begins (**Start address** and **End address** as specified in the previous section). All detected field devices are displayed in the **Scan list** window.

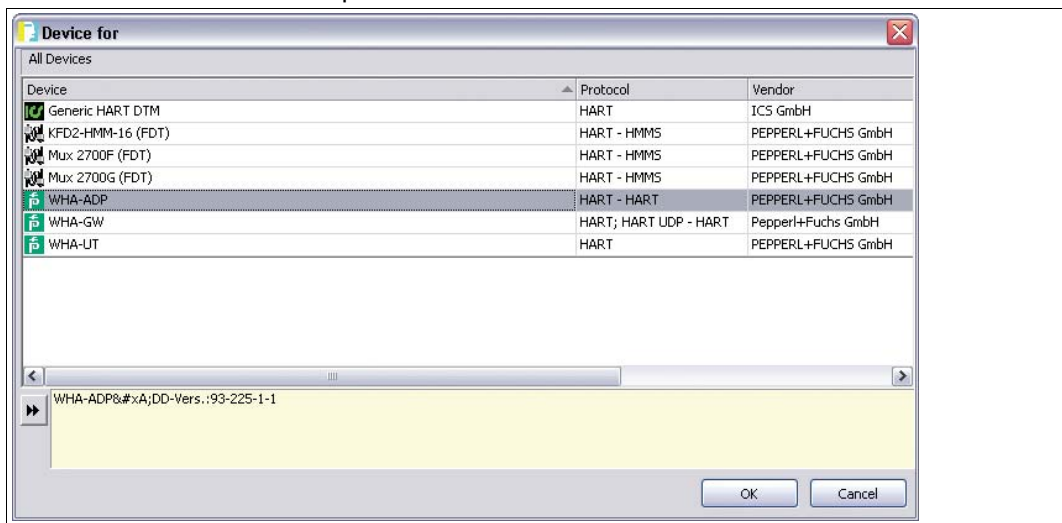


Adding the Device DTM

You may add the adapter to your PACTware™ project in various ways (see PACTware™ documentation). One of them is described in the following.

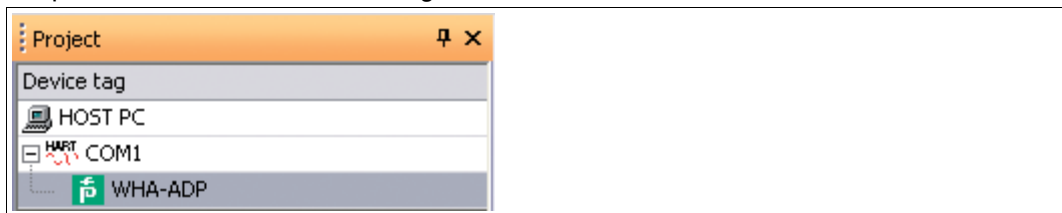
1. In the project view, right-click on the entry of the HART communication DTM.
2. To add the device DTM, choose **Add device**.

↳ The **Device for** window opens.



3. Select **WHA-ADP**.
4. Click **OK**.

↳ The device DTM is added to the project. You may continue with parameterizing the adapter as described in the following.



5. Remember to save your PACTware™ project from time to time (**File > Save**).

4.6 Joining the Wireless Network

To connect itself to the *WirelessHART* network, the device must carry the correct Network ID and Join Key. The Network ID and Join Key have to be configured using a **wired connection** before the device joins the *WirelessHART* network for the first time.

To enter Network ID and Join Key, the following requirements have to be met.

- A PC/Laptop is connected to the device using a HART modem.
- A PACTware™ project containing the HART communication DTM and the device DTM has been created.

In the joining phase the device sends a join request packet to the network manager. If the new device can be authenticated, the network manager responds with an activation packet and sets up links between the new device and other existing nodes. Furthermore, the new device receives a 128 Bit encryption key.



Entering Network ID and Join Key

1. In the PACTware™ project, right-click the DTM of the device that shall join the *WirelessHART* network.



Figure 4.7 Device DTM in the PACTware™ project

2. Choose **Connect**.
 - ↳ A connection is established.
3. To open the online parameterization window, right-click the device DTM and choose **Parameter > Online parameterization**.
 - ↳ The online parameterization window appears.
4. In the online parameterization window, choose **Wireless Communication**.
 - ↳ The wireless communication parameters are displayed. See chapter 5
5. Enter the Network ID into the **Network Identification** field and press **Enter** to confirm the new value.
6. Enter the Join Key into the 4 **Join Key** fields and press **Enter** to confirm the new value.
7. Click **Execute Join**.
 - ↳ The device attempts to join the wireless network. The connection status is indicated by **Join Status**.

5 Configuration

5.1 Configuration Options

We recommend that you configure the device on the shop floor via a **wired connection** using a HART modem. see chapter 5.2

1. Define all basic settings such as wireless communication parameters (Network ID, Join Key, Join Mode) and identification parameters (Long Tag, Polling Address) using a HART modem.
2. Make the device join the *WirelessHART* network.
3. Once the device has joined the *WirelessHART* network, configure the burst mode parameters, event notifications, and other application settings using a HART modem.
4. Disconnect the HART modem and install the device in the field.

Once the device is installed in the field, you can change the configuration of the device via a **wireless connection** using the *WirelessHART* Gateway.

Wireless Configuration via the *WirelessHART* Gateway

We assume that the *WirelessHART* Gateway is installed and configured correctly according to the manual of the *WirelessHART* Gateway. Furthermore, we assume that the device to be configured has joined the *WirelessHART* network.

1. Start your PACTware™ project containing the device DTM of the *WirelessHART* Gateway.

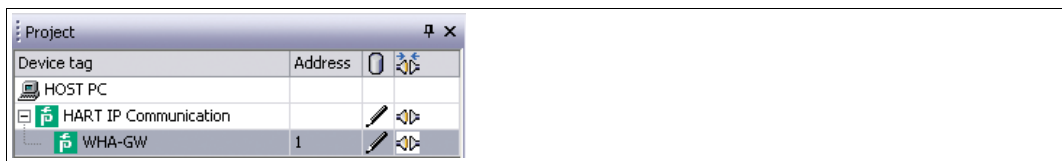


Figure 5.1 DTM of the *WirelessHART* Gateway in the PACTware™ project view

2. In the project view, right-click on the entry **WHA-GW**.
3. To add the device DTM, choose **Add device** from the context menu.

↳ The **Device for** window opens.

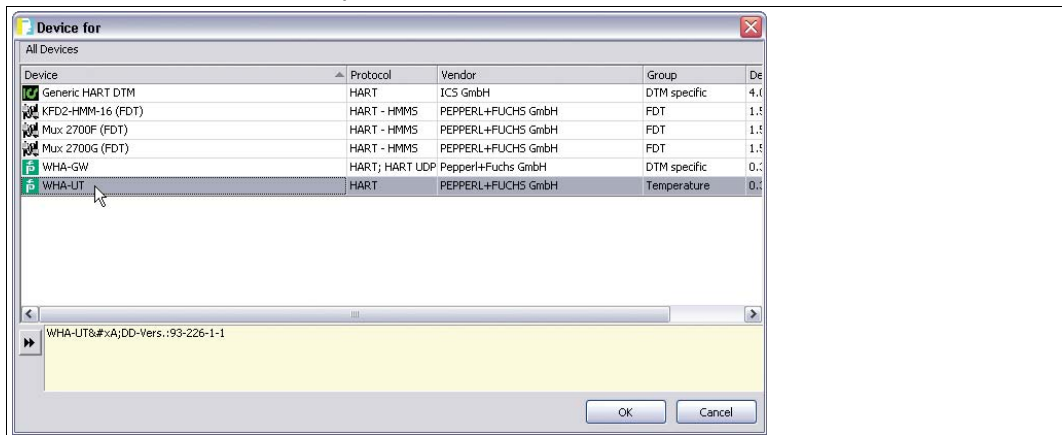


Figure 5.2 **Device for** window with device DTM

4. Select the entry of the *WirelessHART* device you want to add to the PACTware™ project.

5. Click **OK**.

↳ The device DTM is added to the project.

Now you can continue with parameterizing the device as if you had a wired connection. see chapter 5.2



Figure 5.3 DTM in the PACTware™ project view



Note!

Note that you can accelerate the wireless configuration by establishing a fast pipe connection between the device and the *WirelessHART Gateway*. For more information on fast pipe connections, see the manual of the *WirelessHART Gateway*.

5.2 Online and Offline Parameterization (DTM)



Note!

The concept of online/offline parameterization applies to the configuration via DTM and PACTware™ only.

The device DTM provides dialogs for offline and online parameterization.

■ **Offline Parameterization** (not connected to device)

If there is no active connection to the device, only the data that is stored locally in the PACTware™ project can be edited and saved. You can store this local copy of the data to the device, as soon as a connection to the device has been established.

To ensure that you edit the latest data: Before editing the data offline, load the latest version of the data from the device when the device is online.

■ **Online Parameterization** (connected to device)

If there is an active connection to the device: You can directly edit the data that is stored on the device. Parameter changes are immediately stored on the device.

Both online and offline data are updated using the commands **Store to device** and **Load from device**.



Note!

Data edited and stored on the device during online parameterization is not automatically synchronized with the offline data record in the PACTware™ project. If you change device parameters in the online mode, the data stored in the PACTware™ project differs from the data stored on the device.

To ensure that the data stored in the PACTware™ project matches the data stored on the device, after online parameterization, load the data from the device into the PACTware™ project.



To parameterize offline

1. Right-click the device entry in the PACTware™ project.
↳ A context menu opens.
2. Choose **Parameter > Parameterization**.
↳ A window with the offline data record appears.
3. In order to modify a parameter, enter a new value or choose a new value from the drop-down list.
4. To accept the new value, press **Enter**.
5. After all parameter changes have been made, save your project by choosing **File > Save**.
6. To write the new offline configuration to the device, right-click the device entry in the project view and choose **Connect**.
↳ A connection to the device is established.
7. Right-click the device entry again and choose **Store to device**.
↳ The new configuration is stored on the device.



To parameterize online

1. Right-click the device entry in the PACTware™ project.
↳ A context menu opens.
2. Select **Connect**.
↳ A connection to the device is established.
3. Right-click the device entry in the PACTware™ project.
4. Select **Parameter > Online Parameterization**.
↳ A window with the online data opens and the data is read from the device.
5. In order to modify a parameter, enter a new value or choose a new value from the drop-down list.
6. To accept the new value, press **Enter**.
↳ The new value is immediately stored onto the device.
7. After all online parameter changes have been made, you can load the online configuration into the PACTware™ project. To do this, right-click on the device entry in the project view and choose **Load from device**.
↳ The device data is loaded in the PACTware™ project.
8. In order to save your project, choose **File > Save**.

5.3 Identification Parameters

The identification parameters provide various information about the device and identify the device within the network.

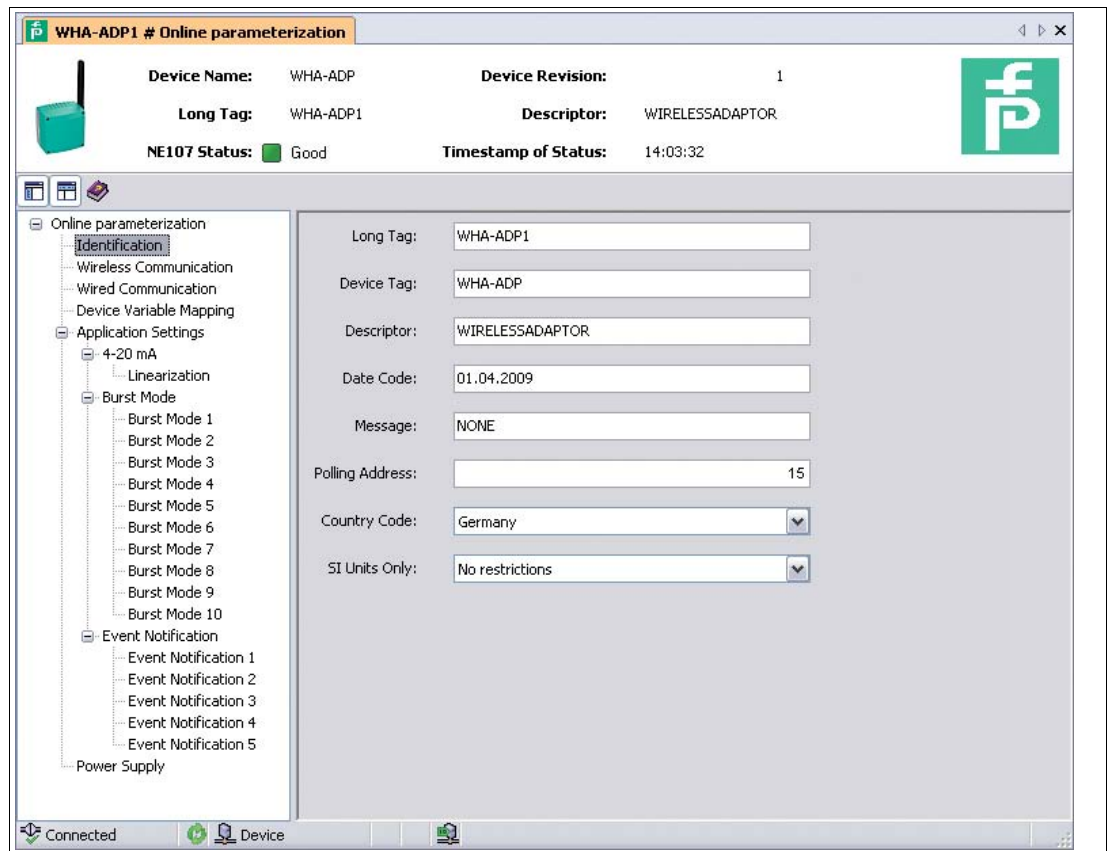


Figure 5.4 Identification parameters

Identification Parameters

Parameter	Description	Default
Long Tag	Identifies the device in a <i>WirelessHART</i> network. Enter up to 32 characters.	–
Device Tag	Identifies the field device within the process plant. Enter up to 8 characters.	–
Descriptor	Further description of the device. Enter up to 16 characters.	–
Date Code	Date of last parameter change. Format: DD.MM.YYYY	01.04.2009
Message	User defined message. Enter up to 32 characters.	–
Polling Address	HART address of the adapter on the wired interface, valid range 0 ... 63. Since the long tag and MAC address are used to identify the device in the <i>WirelessHART</i> network, it is not necessary to give different devices different polling addresses.	15
Country Code	Select the country code of the country in which the device is operated from this drop-down list. <ul style="list-style-type: none"> ■ Governs the signal strength that can be set for the device ■ Determines the preset value for "SI Units only" 	–
SI Units only	Selects the unit set to be used by the adapter. <ul style="list-style-type: none"> ■ Unit codes restricted to SI units only: only SI units are displayed ■ No restrictions: Both metric and US units are displayed 	

5.4 Wireless Communication Parameters

The wireless communication parameters apply to the *WirelessHART* network that the device will join.

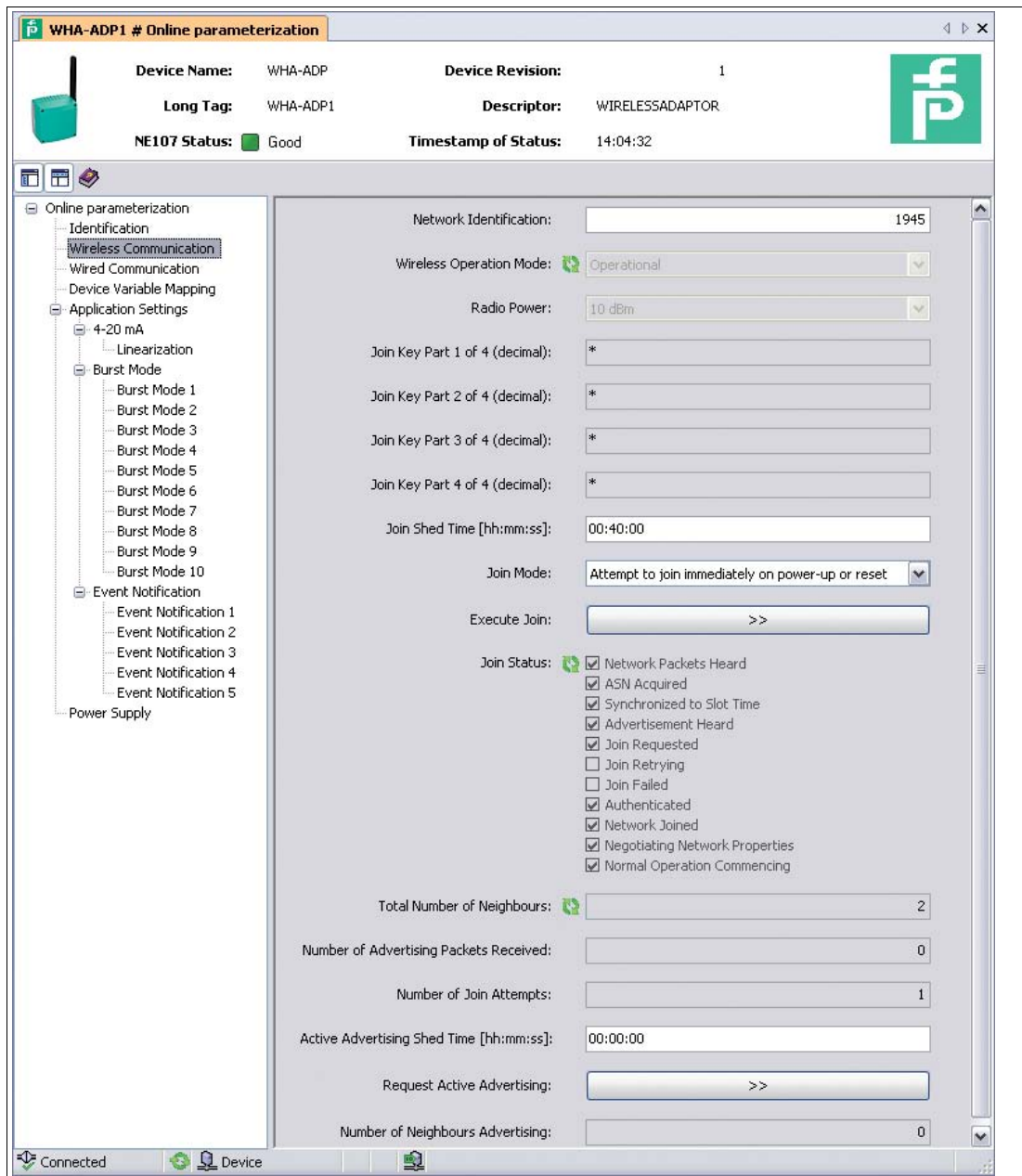


Figure 5.5 Wireless communication parameters



Note!

The data listed in the following table is available only during online parameterization.

Wireless Communication Parameters

Parameter	Description	Default
Network Identification	Unique Network ID of the <i>Wireless</i> HART network the device is supposed to join. Enter up to 5 digits (0 ... 99999).	–
Wireless Operation Mode	Indicates current mode of operation of the device: <ul style="list-style-type: none"> ■ Idle: waiting for trigger to start join procedure ■ Active Search: searching for neighboring <i>Wireless</i>HART devices ■ Negotiating: connection parameters are being exchanged with the network manager (gateway) ■ Quarantined: network manager has temporarily stopped the device from joining the network ■ Operational: device is connected to the network ■ Suspended: network manager has permanently stopped the device from joining the network ■ Deep Sleep/Ultra-low Power/Passive Search: adapter is inactive 	–
Radio Power	Power of the radio signal emitted by the device. The selection and the default value depend on the Country Code parameter.	0 dBm
Join Key Part x of 4	The join key is the password for the network the device is to join. Enter 32 hexadecimal characters. There are four text fields that can hold eight characters each.	–
Join Shed Time	Time (hh:mm:ss) that the device is given to join the network after the Join Mode condition has been fulfilled. After this time has elapsed, the device will keep on trying to join the network using a low duty-cycle receive mode to reduce energy consumption (yellow COM LED off).	00:40:00
Join Mode	Joining behavior of the device: <ul style="list-style-type: none"> ■ Do not attempt to join ■ Join now ■ Attempt to join immediately on powerup or reset 	Attempt to join immediately ...
Execute Join	Press the button to store the Join Shed Time and Join Mode parameters to the device. The device will attempt to join the network in the way that is specified in Join Mode .	–
Join Status	Indicates the current status when joining the network. Possible messages: <ul style="list-style-type: none"> ■ Network Packets Heard ■ ASN Acquired ■ Synchronized to time slot ■ Advertisement Heard ■ Join Requested ■ Join Retrying ■ Join Failed ■ Authenticated ■ Network Joined ■ Negotiating Network Properties ■ Normal Operation Commencing 	–

Parameter	Description	Default
Total number of Neighbors	Number of <i>Wireless</i> HART devices to which a connection has been established.	–
Number of Advertising Packets received	Number of advertising packages received by the device.	–
Number of Join Attempts	Number of attempts the device has made to join the network.	–
Active Advertising Shed Time	Time in hh:mm:ss that the device is given to advertise its presence to its neighbors in order that they can join the network quickly.	00:40:00
Request Active Advertising	Pressing this button will cause the device to advertise its presence for the period Active Advertising Shed Time .	–
Number of Neighbors Advertising	Number of neighbors that are advertising their presence and have been detected by the device.	–

5.5 Wired Communication Parameters

The **Wired Communication** parameters pertain to the HART communication between the adapter and and HART device(s) connected to it. Up to four HART devices can be connected in multidrop mode to the adapter, each requiring a different HART address.

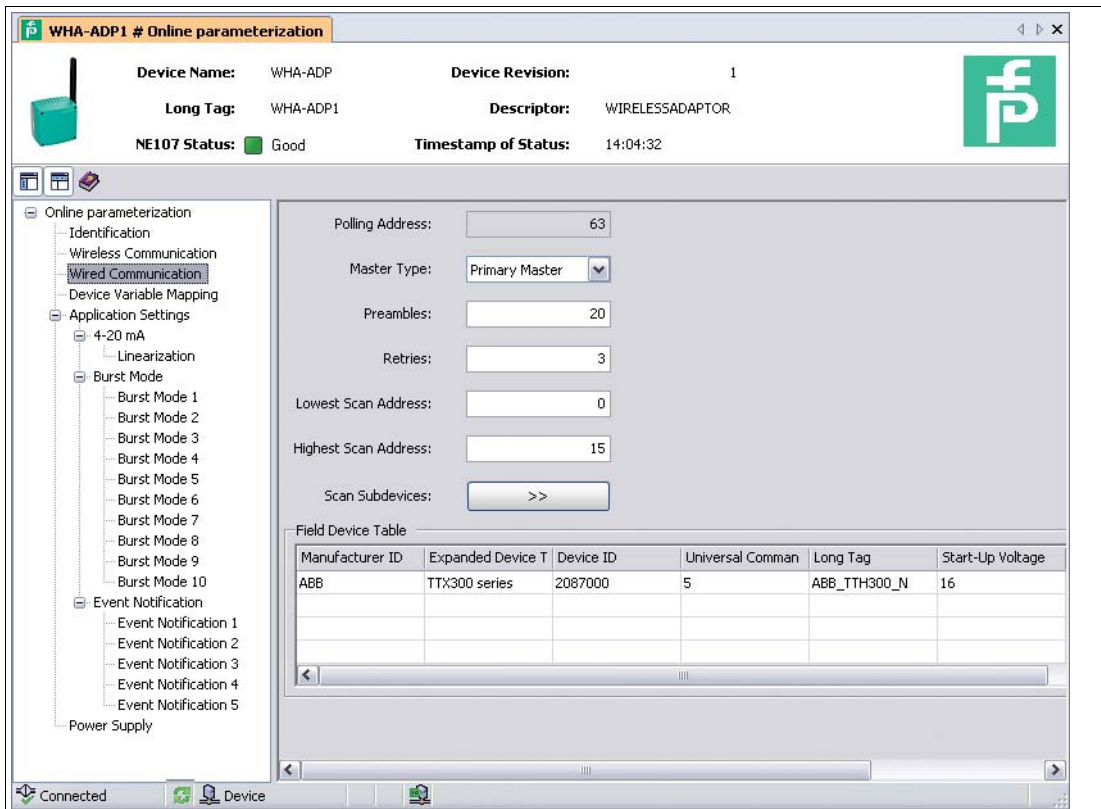


Figure 5.6 Wired communication parameters

Wired Communication Parameters

Parameter	Description	Default
Polling Address	HART address of the device set in Identification .	–
Master Type	<p>HART master role to be assumed by the adapter.</p> <ul style="list-style-type: none"> ■ Primary master: The connected HART device has no other permanent master. ■ Secondary master: The connected HART device communicates with a permanent HART primary master, e.g. PLC. <p>If a handheld device or PACTware™ are connected temporarily to the HART device when the adapter is operational, they must have the role of secondary master.</p>	Primary Master
Preambles	Number of preambles sent at start of HART frame to synchronize communication with the connected HART device. All connected devices must have the same settings. Valid range: 5 ... 20.	5
Retries	Number of times the adapter tries to establish communication with a connected HART device before it reports a communication error	3
Lowest Scan Address	Address from which the adapter starts scanning for connected HART devices.	0
Highest Scan Address	<p>Address at which the adapter stops scanning for connected HART devices.</p> <ul style="list-style-type: none"> ■ A HART device providing a 4 ... 20 mA output in a control loop will have the address 0. ■ Normally a single HART device powered by the adapter will have the address 1, as this ensures it is operating in multidrop mode (current 4 mA) ■ For a multidrop bus (max. 4 devices) enter the highest address. 	1
Scan Subdevices	<p>Press the button to scan the connected HART devices. The devices found, together with their parameters, are displayed in the Field Device Table.</p> <p>If the HART device is disconnected or its configuration changed, a new scan must be made</p> <p>Note: A scan is made every time the adapter is powered up after connection of the battery – the table then fills automatically.</p>	
Field Device Table	<p>Displays the parameters read from the HART device by the scan.</p> <ul style="list-style-type: none"> ■ Manufacturer ID: Manufacturer of connected device. ■ Expanded Device Type Code: Device identifier as per HART. ■ Device ID: Manufacturer's device identifier. ■ Universal Command Revision Level: HART revision supported. ■ Long Tag: Long tag of device (Message for HART revision < 6.0). ■ Start-Up Voltage: Voltage required to start the connected device. ■ Start-Up Time: Time required for the device to wake-up ■ Start-Up Current: Current consumed on starting the device ■ Lead Time: Time that elapses between start-up and the point at which the device can deliver valid values. See chapter 5.8 	

5.6 Device Variable Mapping

The adapter can output the value and status of several variables, but a maximum of only four variables can be published on the network. The device variable mapping is used to configure these variables.

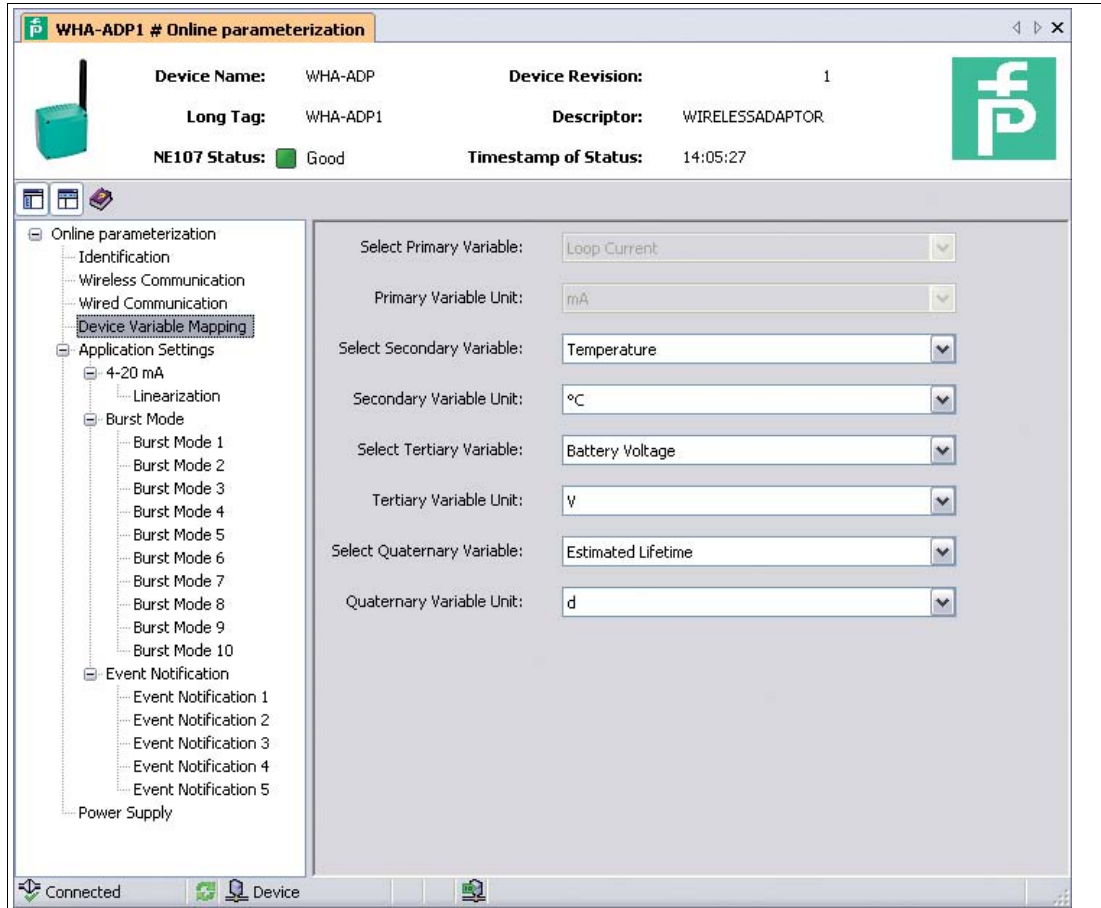


Figure 5.7 Device variable mapping

The variables that can be set as SV, TV and QV are as follows:

- Temperature
- Temperature min
- Temperature max
- Battery voltage
- Consumer energy
- RSL of best neighbour (RSL = Radio Signal Level)
- RSL of second best neighbour
- Battery voltage with load
- Battery voltage without load during battery test
- Normalized Consumer Energy
- Estimated Lifetime

Device variable mapping

Parameter	Description	Default
Select Primary Variable	Variable to be output as primary variable (PV)	Loop Current (fixed)
Primary Variable Unit	Engineering units of the primary variable	mA (fixed)
Select Secondary Variable	Variable to be output as secondary variable (SV)	Temperature
Secondary Variable Unit	Engineering units of the secondary variable (fixed)	°C
Select Tertiary Variable	Variable to be output as tertiary variable (SV)	Battery Voltage
Tertiary Variable Unit	Engineering units of the tertiary variable (fixed)	V
Select Quaternary Variable	Variable to be output as quaternary variable (SV)	Normalized Consumer Energy
Quaternary Variable Unit	Engineering units of the quaternary variable (fixed)	Ah

5.7 Application Settings

5.7.1 4 ... 20 mA

When a HART device is connected to the adapter, all parameters are read via the digital signal. It is possible, however, to connect a 4 ... 20 mA device to the adapter. In this case the 4 ... 20 mA signal can be scaled as desired in the DTM and a linearization can be made if necessary. In addition, current values can be set which correspond to the limits of the proportional range and the fault signal of the device. Should these current limits be violated, an appropriate warning or alarm signal is transmitted by the adapter.

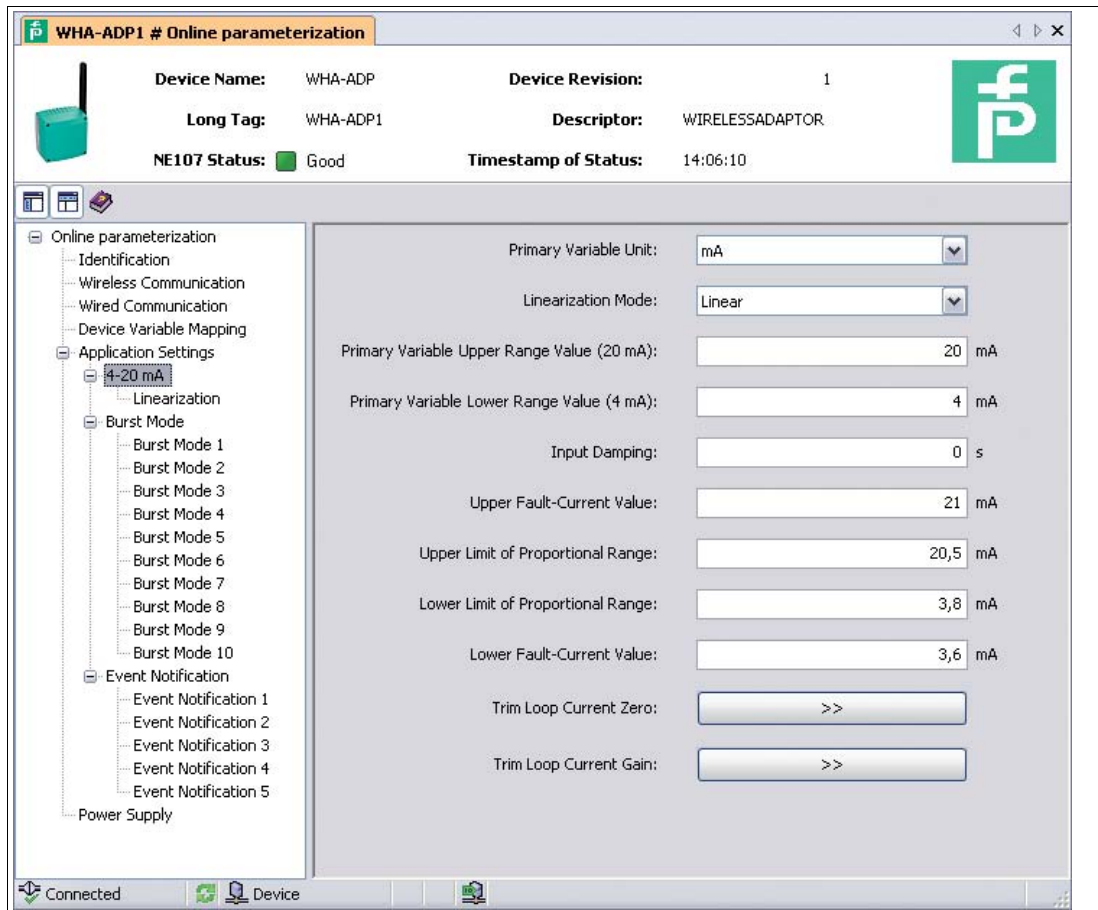


Figure 5.8 4-20 mA parameters

Device variable mapping

Parameter	Description	Default
Primary Variable Unit	The unit of the primary variable supplied by the 4 ... 20 mA device. The selection changes the units of the scaling parameters.	mA
Linearization Mode	Determines how the current input will be converted to the output. <ul style="list-style-type: none"> ■ Linear: Proportional scaling across the set range ■ Special curve: Scaling according to the table in Linearization 	Linear
Primary Variable Upper Range Value (20 mA)	Output value assigned to the 20 mA current input	20 mA

221980 2013-11

Parameter	Description	Default
Primary Variable Lower Range Value (4 mA)	Output value assigned to the 4 mA current input	4 mA
Input Damping	Damping factor for the current input in seconds (valid range 0 ... 255)	0
Upper Fault-Current Value	Max. current output by 4 ... 20 mA device when in fault condition. The adapter outputs an alarm if the current input reaches this level.	22 mA
Upper Limit of Proportional Range	Upper limit value of proportional range. The adapter outputs a warning if the current input exceeds this level.	20.5 mA
Lower Limit of Proportional Range	Lower limit value of proportional range. The adapter outputs a warning if the current input drops below this level.	3.8 mA
Lower Fault-Current Value	Min. current output by 4 ... 20 mA device when in fault condition. The adapter outputs an alarm if the current input reaches or drops below this level.	3.6 mA
Trim Loop Current Zero	When pressed, calibrates the 4 mA signal of the connected device. 4 mA must be simulated or an "empty" calibration made.	–
Trim Loop Current Gain	When pressed, calibrates the 20 mA signal of the connected device. 20 mA must be simulated or a "full" calibration made.	–

Linearization parameters

If the linearization mode "Special Curve" is selected, the "Linearization" leaf must be opened:

- Up to 32 value pairs can be entered
- X values must be entered in increasing order, Y values must rise or fall monotonically (red = error)
- Range end values must correspond to those in the 4-20 mA leaf
- A graphic shows the linearization curve

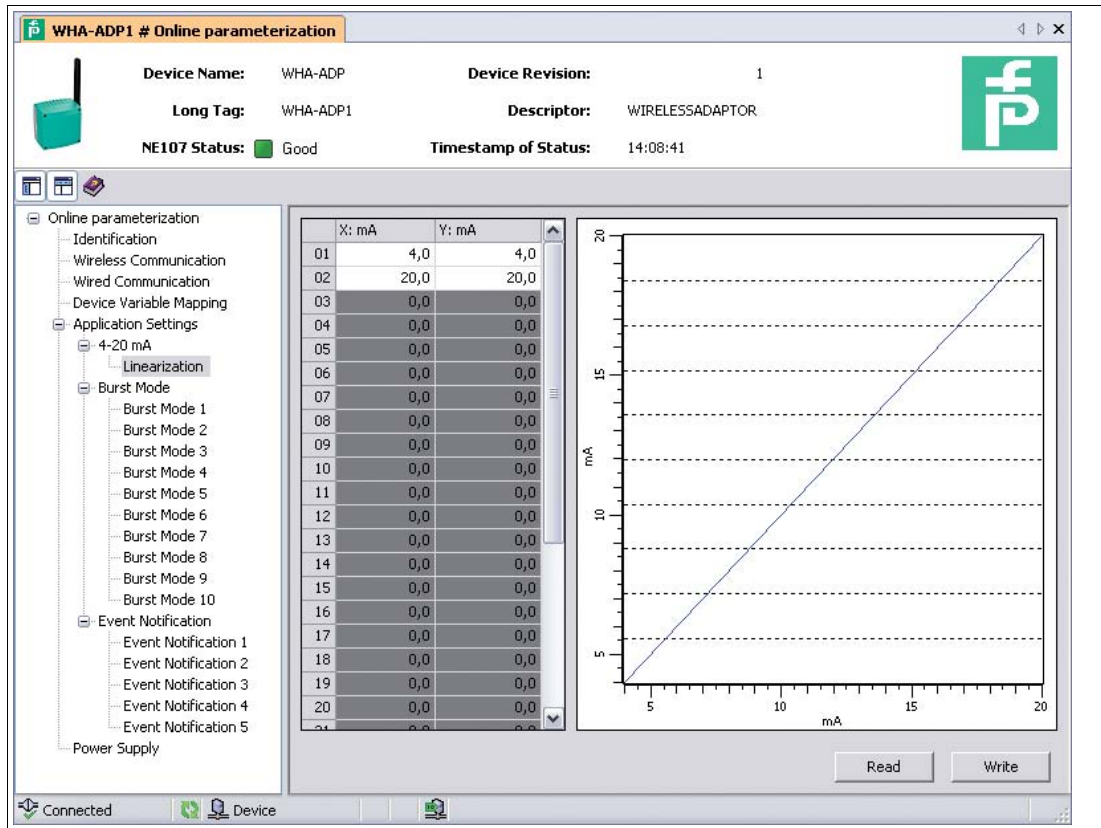


Figure 5.9 Linearization

Linearization

Parameter	Description	Default
X: mA (1 ... 32)	Input value X1 ... X32 for linearization (mA)	4, 20
Y: unit (1 ... 32)	Output value Y1 ... Y32 for linearization (engineering units)	4, 20
Read	Press to upload values from the device into the DTM. Happens automatically when the Linearization leaf is opened.	–
Write	Press to download the table from the DTM to the device.	–

5.7.2 Burst Mode Parameters

Burst mode is a special communication mode in which a HART slave device sends responses to a particular HART command on a predetermined, periodic schedule without being polled by the master. Normally, a HART slave device only responds when being polled by the master. When burst mode is used, a HART slave device can publish data (for example process values) independently in regular time intervals. Data can be sent as scheduled, or only if the value has changed by a significant amount or has not been updated within a default reporting time.

Up to 10 different burst modes can be set for the adapter or connected HART devices.

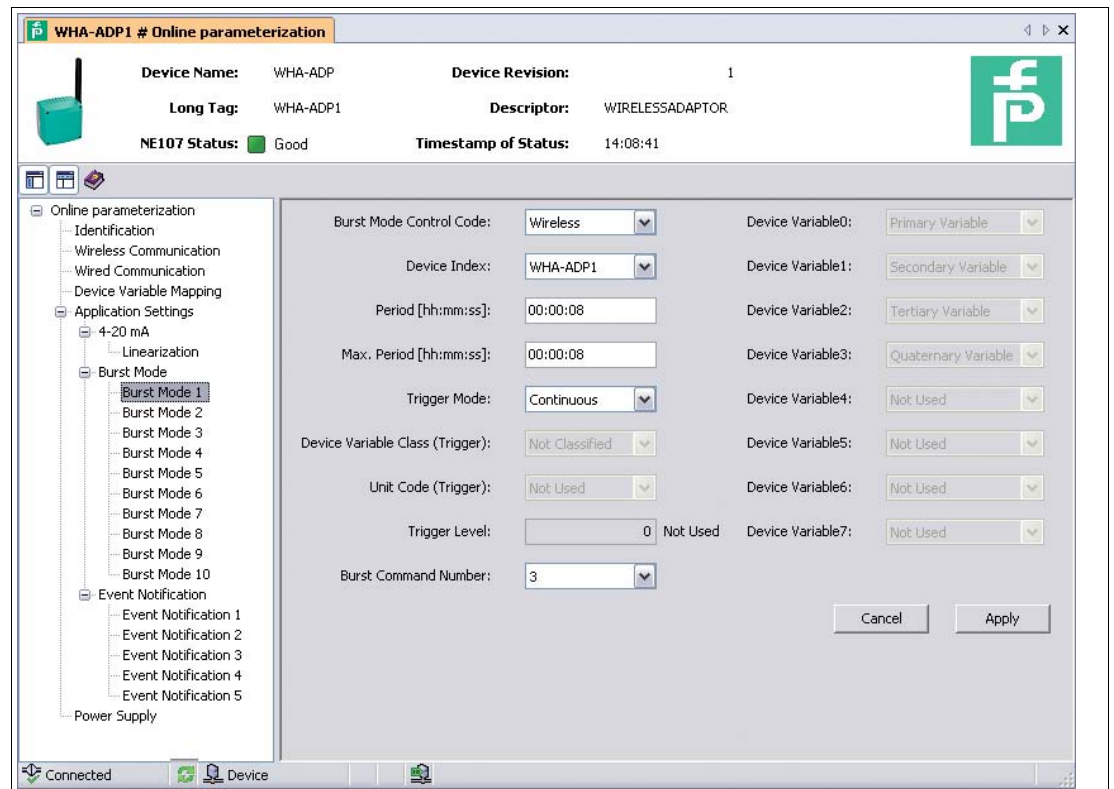


Figure 5.10 Burst Mode Parameters



Note!

Battery lifetime

The more frequently burst messages are sent the more battery power is consumed, thus reducing battery lifetime.

Burst Mode 1 ... 10 Parameters

Parameter	Description	Default
Burst Mode Control Code	Switches burst mode on or off (" <i>Wireless</i> " = on). The following parameters in this table can only be edited if Burst Mode Control Code is set to " <i>Wireless</i> ". Otherwise they are grayed out. The field will also show "Off" if the parameters are downloaded when the adapter is not in the network. The parameters are retained and become active when the adapter joins the network.	Off
Device Index	Selects the device via its long tag for which the burst mode applies. <ul style="list-style-type: none"> ■ <Adapter Long Tag>: Adapter parameters are transmitted. ■ <Device Long Tag>: Device parameters are transmitted. For HART devices of Revision 5 or lower, the "Message" serves as the long tag. See chapter 4.1	Not selected
Period	<ul style="list-style-type: none"> ■ When the trigger mode is set to "continuous", determines the period in hh:mm:ss that elapses between burst messages. ■ When the trigger mode is not set to "continuous", determines the scan rate in hh:mm:ss for checking whether the trigger condition for a burst message is fulfilled. ■ The minimum setting is 8 seconds. 	00:30:00
Max. Period	When the Trigger Mode is not set to "continuous", determines the maximum period in hh:mm:ss that may elapse between two burst messages when the conditions for the trigger are not fulfilled.	01:00:00
Trigger Mode	Determines the event that triggers a burst message from the device. <ul style="list-style-type: none"> ■ Continuous: A burst message is published continuously at intervals determined by Period. ■ Window: a burst message is triggered when the source value deviates more than the specified trigger value. ■ Rising: a burst message is triggered when the source value rises above the specified trigger value. ■ Falling: a burst message is triggered when the source value falls below the specified trigger value. ■ On-Change: a burst message is triggered when any value in the message changes. If the conditions are not met for Trigger Modes "Window", "Rising", "Falling" and "On-Change", a burst message is sent at intervals determined by Max. Period .	Continuous
Device Variable Class (Trigger)	Determines the device variable that is used to trigger the burst message, e.g. Temperature.	Not classified
Unit Code (Trigger)	Engineering unit used by the trigger variable, e.g. °C	Not used
Trigger Level	Value of the source variable which is used to trigger the burst message, e.g. 150°C	0

Parameter	Description	Default
Burst Command Number	<p>Determines which commands are to be sent in the burst message.</p> <ul style="list-style-type: none"> ■ 1 Primary variable: Returns the primary value and units. ■ 2 Loop current and percentage of range: Returns the loop current and its associated percent of range. ■ 3 Dynamic variables and loop current: Returns the loop current and up to four predefined dynamic variables and units (PV, SV, TV, QV). ■ 9 Device variables: Returns the value of up to 8 device or dynamic variables with units. ■ 33 Device variables and additional device status: Returns the value of up to four device variables and the device status information. ■ 48 Additional device status: Returns the device status information. <p>For connected HART devices, check the operating manual to see which commands are supported: if you are uncertain, use Command 3 as default</p>	1
Device Variable 0 ... 7	<p>Selects the device variables to be transmitted in the burst message when command 9 or 33 is entered as Burst Command Number:</p> <ul style="list-style-type: none"> ■ For the adapter, select the variable you want to transmit from the drop-down menu. ■ For a connected HART device, check the operating manual (loop-current, PV, SV, TV and QV can be selected). 	250
Cancel	Click to make the setting to revert to their original values.	–
Apply	Click to download the changes to the device.	–

5.7.3 Event Notification

Event notification is a special application of a burst message and publishes changes in the device configuration and status, independent of data publishing supported in other burst mode commands. For events, the status included in the Device Status byte, Extended Device Status byte and Command 48 can be used. It is possible to specify a limited set of bits that will trigger event notification.

Event notifications have a low priority but carry a time stamp in order to indicate the first time when a notification occurred. Up to 5 different event notification messages can be defined in the leaves **Event Notification 1 ... 5**.

Each **Event Notification** window (1 ... 5) is subdivided into 3 tabs:

- **Event**
- **Standard Event Mask**
- **Device-Specific Event Mask**

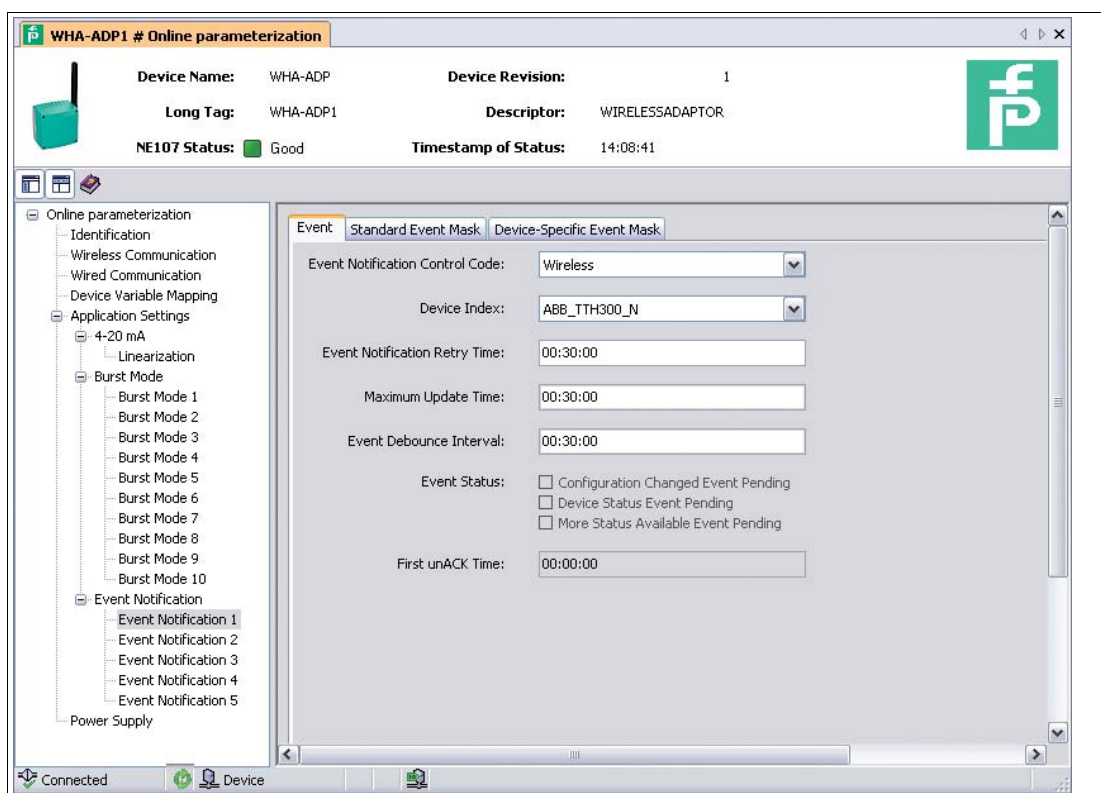


Figure 5.11 Event notification, tab **Event**

Event Tab

Parameter	Description	Default
Event Notification Control Code	Switches event notification on or off (" <i>Wireless</i> " = on). The following parameters in this table can only be edited if Event Notification Control Code is set to " <i>Wireless</i> ". Otherwise they are grayed out.	Off
Device Index	Selects the device via its long tag for which the burst mode applies. <ul style="list-style-type: none"> ■ <Adapter Long Tag>: Adapter parameters are transmitted. ■ <Device Long Tag>: Device parameters are transmitted. For HART devices of Revision 5 or lower, the "Message" serves as the long tag (see chapter 4.1).	–
Event Notification Retry Time	Period between retransmissions of the event notification. The event notification continues to be retransmitted until an acknowledgement of the event is received.	00:30:00
Maximum Update Time	Maximum period in seconds that may elapse between successive event notifications. If no event occurs, the adapter will publish an event notification after this time has elapsed.	00:30:00
Event Debounce Interval	The amount of time that a condition must persist before the event notification is sent out.	00:30:00
Event Status	Indicates whether a particular event notification has been sent and is still unacknowledged. <ul style="list-style-type: none"> ■ Configuration Changed Event pending ■ Device Status Event Pending ■ More Status Available Event Pending 	–
First unACK Time	Indicates the time in seconds an event notification has remained unacknowledged.	–

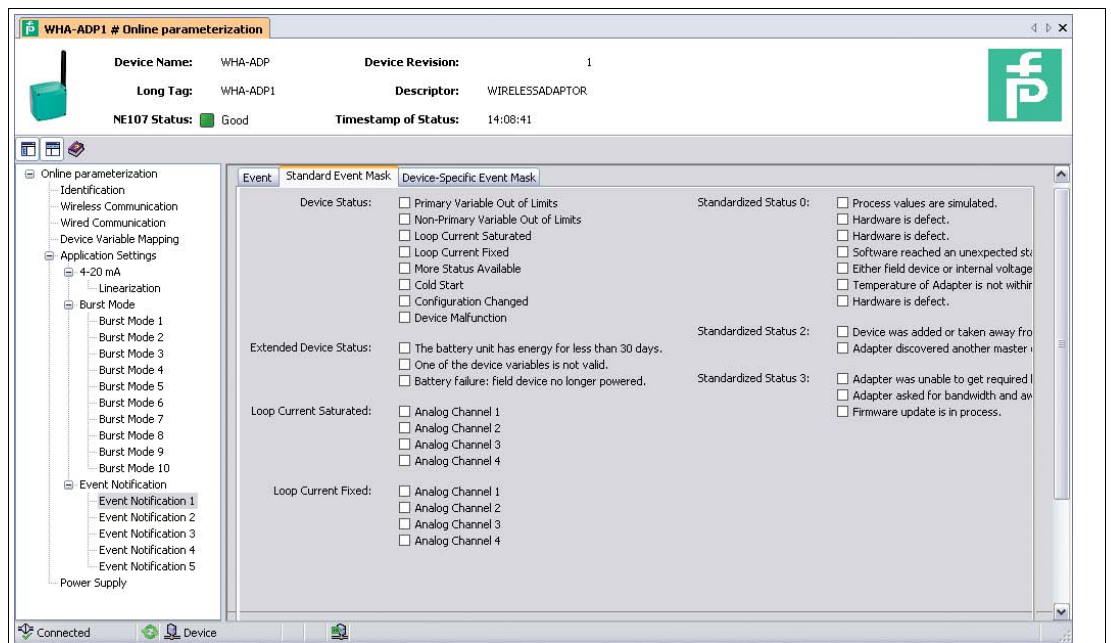


Figure 5.12 Event notification, tab **Standard Event Mask**

221980 2013-11

Standard Event Mask Tab

Parameter	Description	Default
...	The Standard Event Mask tab contains the standardized HART events. Activate the appropriate checkbox to activate event notification for the associated condition.	Checkboxes deactivated

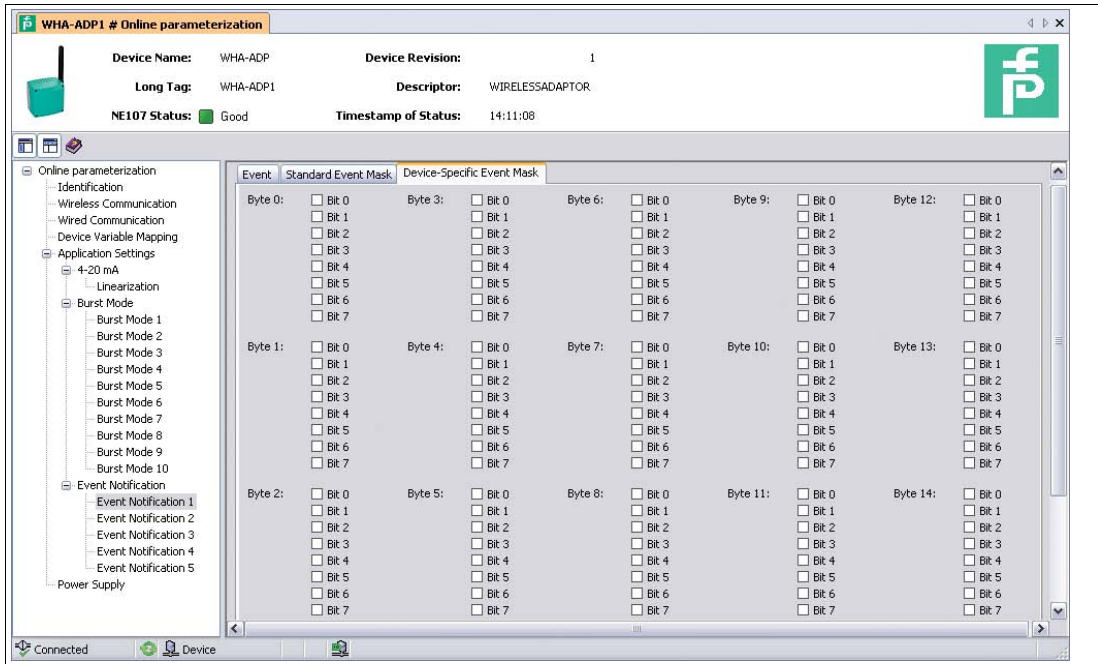


Figure 5.13 Event notification, tab **Device-Specific Event Mask**

Device-Specific Event Mask Tab

Parameter	Description	Default
...	The Device-Specific Event Mask tab contains device-specific events. Activate the appropriate checkbox to activate event notification for the associated condition (see manufacturer's operating manual).	Checkboxes deactivated

5.8 Power Supply

Battery life can be extended by tuning the adapter to energy requirements of the connected device. In addition, knowledge of the power requirements ensures a more reliable prediction of battery life. For some HART devices, the power parameters are displayed in the Field Device Table. For other HART devices and for 4 ... 20 mA devices, they must be taken from the operating manual and entered manually. The tuning is done in the Power Supply leaf of the Adapter DTM.

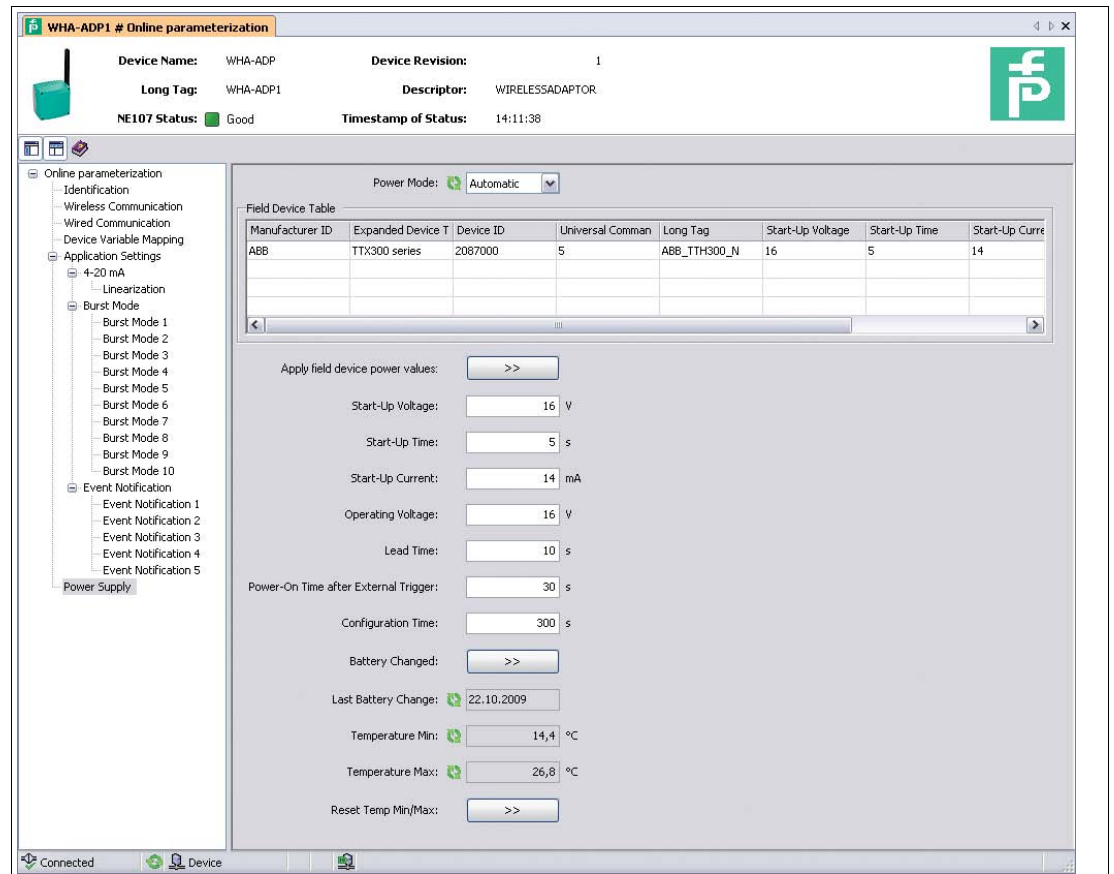


Figure 5.14 Power Supply parameters

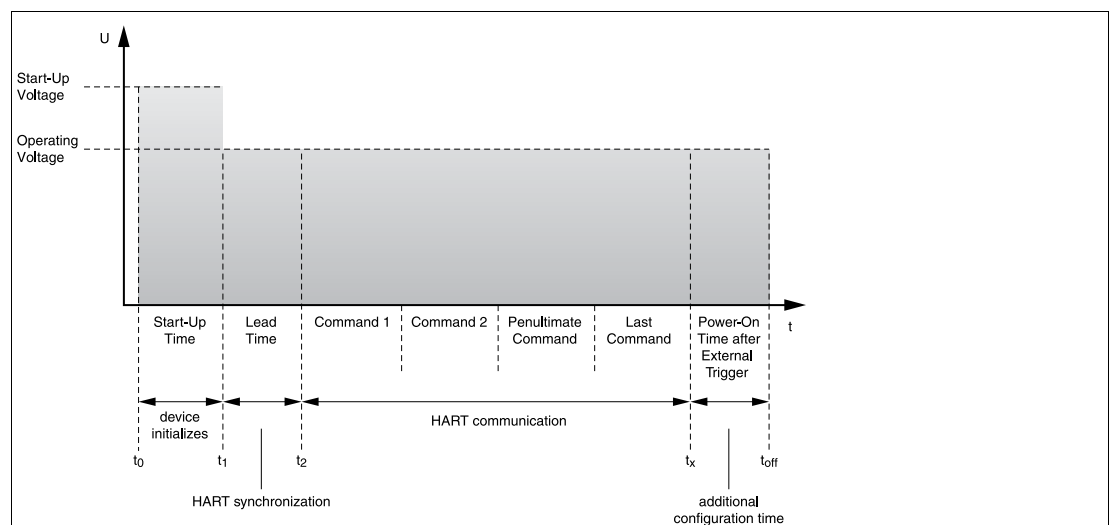


Figure 5.15 Parameters influencing the power requirement of the WirelessHART adapter

Power Supply Parameters

Parameter	Description	Default
Power mode	<p>Sets the power mode.</p> <ul style="list-style-type: none"> ■ "Off": Power to any connected device is switched off. There is no communication between adapter and any connected device. Set this mode if the adapter is to be used as a router. ■ "Automatic": The connected device is powered-up when an external master starts communicating with the adapter. The device is powered after the last command for a period determined by "Power On Time After External Trigger". ■ "Configuration": The connected device is powered-up when the button on the adapter is pressed or an external master communicates with it. The device is powered after the last command for a period determined by "Configuration Time". When this period has elapsed, the power mode reverts to "Automatic" 	Configuration
Field Device Table	<p>Displays the parameters read from the HART device by the scan:</p> <ul style="list-style-type: none"> ■ Manufacturer ID: Manufacturer of connected device ■ Expanded Device Type Code: Device identifier as per HART ■ Device ID: Manufacturer's device identifier ■ Universal Command Revision Level: HART revision supported ■ Long Tag: Long tag of device (Message for HART revision < 6.0) ■ * Start-Up Voltage: Voltage required to start the connected device ■ * Start-Up Time: Time required for the device to wake-up ■ * Start-Up Current: Current consumed on starting the device ■ * Lead Time: Time that elapses between start-up and the point when the HART communication is synchronized <p>* Parameters taken from DTM</p>	–
Apply field device power values	Press this button to apply the field device power values.	–
Start-Up Voltage	Voltage required by the connected device on start up. Valid range 8 ... 23 V in steps of 0.1 V. Filled automatically if the Field Device table is active.	16
Start-Up Time	Time in seconds required for the device to start up. Filled automatically if the Field Device table is active.	5
Start-Up Current	Current in mA drawn by the connected device during start-up. Filled automatically if the Field Device table is active.	14
Operating Voltage	Voltage connected device requires in normal operation. Filled automatically if the Field Device table is active.	16

Parameter	Description	Default
Lead Time	Time that elapses between start-up and the point at which the device can deliver valid values. Filled automatically if the Field Device table is active.	10
Power-On Time after External Trigger	Time that the connected device remains powered after the last HART command. Applies to power mode "Automatic" only.	10
Configuration Time	Time that the connected device remains powered after the last HART command. Applies to power mode "Configuration" only.	300
Battery Changed	Press this button after a battery change to update the "Last battery Change" display and reset the battery consumption calculation.	–
Last Battery Change	Displays the date of the last battery change in DD:MM:YY.	–
Temperature Min.	Minimum temperature of the adapter since last temperature reset.	–
Temperature Max.	Maximum temperature of the adapter since last temperature reset.	–
Reset Max./Min.	Press this button to reset the Min/Max temperature monitor.	–

6 Operation

6.1 Controls and Indicators

The operating and display elements of the *WirelessHART* Adapter are located inside of the housing. → see Figure 2.2 on page 11

They are used during the commissioning of the device and for local diagnosis.

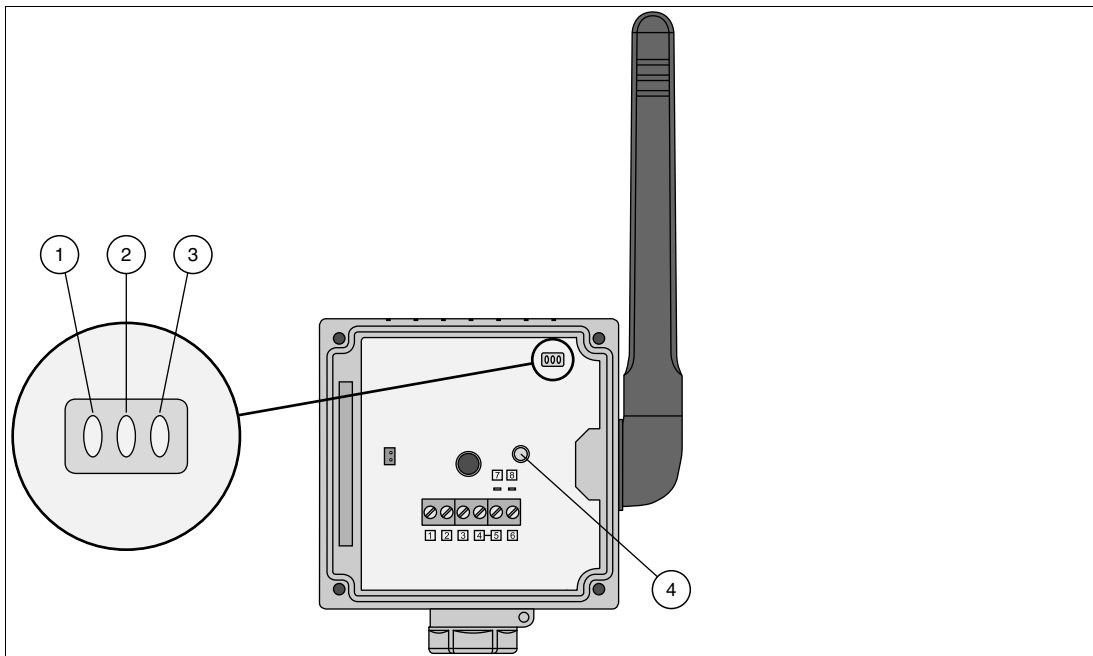


Figure 6.1 Controls and indicators

- 1 Red LED
- 2 Green LED
- 3 Yellow LED
- 4 Button

6.1.1 LEDs

**Note!**

To save battery power all LEDs are off during normal operation, even if the device is communicating or joining the network. The LEDs only light up after start up or while pressing the buttons.

When the pushbutton is pressed shortly (0.2 s ... 5 s), the three LEDs indicate the status of the adapter. See chapter 6.1.2

LED Indicators	
Number of LEDs	3 (green, yellow, red)
Indications of green LED (battery status)	
LED on	Normal: at least one month of battery life is left.
LED flashes at 1 Hz	Warning: less than one month of battery life is left.
LED flashes at 3 Hz	Alarm: the battery is critically low, loop power cannot be supplied. <ul style="list-style-type: none"> ■ Any current signal cannot be read (4 ... 20 mA device). ■ The adapter still operates, but the connection is not assured.
LED off	Off: the battery is flat or disconnected.
Indications of yellow LED (communication status)	
LED on	Joined, alternative path: the device has full network connection. It is able to communicate with at least 2 wireless nodes. At least one alternative communication path to the gateway is available.
LED flashes at 1 Hz	Joined, no alternative path: the device was able to join the network. However, it can communicate with a single wireless node only. There is no alternative communication path to the gateway.
LED flashes at 3 Hz	Joining: the device is attempting to join the network. The adapter will attempt to join for 40 minutes by default. Longer joining periods can be configured if required.
LED off	Not joined: joining the network has failed. The device is no longer attempting to join.
Indications of red LED (device status)	
50 ms on 950 ms off	Device in communication mode: it is possible to communicate with the adapter.
LED on	Internal fault: device fault that cannot be remedied by the user.
LED flashes at 1 Hz	External fault: operative fault which can possibly be remedied by the user: <ul style="list-style-type: none"> ■ Adapter temperature outside specified limits, ■ Measured value outside configured range. Operative faults can be viewed with the Diagnosis function of the DTM.
LED flashes at 3 Hz	Short-circuit: there is a short-circuit between terminals 1 and 2.
LED off	No fault

6.1.2 Buttons

Depending on the duration that the button is pressed and on whether the battery is already connected, the button calls different functions.

Duration	Function	Procedure
Pressing the button while the battery is already connected		
< 0.2 s	No function	
0.2 s ... 5 s	Status test	<ul style="list-style-type: none"> ■ Press button for more than 0.2 seconds and less than 5 seconds. ■ Release button. ■ The LEDs display the current device status. See chapter 6.1.1
5 s ... 10 s	Join wireless network	<ul style="list-style-type: none"> ■ Keep button pressed for 5 seconds. ■ After 5 seconds the yellow LED starts flashing at 3 Hz. ■ Release button. ■ The yellow LED extinguishes. ■ The adapter starts joining.
10 s ... 15 s	Start configuration mode	<ul style="list-style-type: none"> ■ Keep button pressed for 10 seconds. After 5 seconds the yellow LED starts flashing at 3 Hz. After 10 seconds the red LED starts flashing at 3 Hz. ■ The adapter enters configuration mode. ■ Release button. ■ Configuration mode is retained until there was no HART communication for 300 seconds (configurable) or until pushbutton is pressed again for 10 seconds ... 15 seconds. ■ The red LED extinguishes.
> 15 s	No function	
Inserting the battery while the button is already pressed		
The following functions are available when connecting the battery while the button is already pressed. The duration starts from the moment the battery is connected (red LED lights).		
< 10 s	No function	<ul style="list-style-type: none"> ■ The red LED lights until the pushbutton is released.
10 s ... 15 s	Configuration reset to default settings	<ul style="list-style-type: none"> ■ Keep button pressed for 10 seconds. The red LED lights during this time. ■ After 10 seconds the red LED starts flashing at 2.5 Hz. ■ Release button to start the reset.
20 s ... 25 s	Firmware and configuration reset to default settings	<ul style="list-style-type: none"> ■ Keep button pressed for 20 seconds. During this time the red LED lights for 10 seconds. Then the red LED starts flashing at 2.5 Hz. After this, the red LED lights again. ■ After 20 seconds the red LED starts flashing at 1.25 Hz. ■ Release button to start the reset.
> 25 s	No function	<ul style="list-style-type: none"> ■ The red LED remains lit until the pushbutton is released

6.2 Measured Value

The **Measured Value** function displays the current value and status of the variables selected in the **Device Variable Mapping** dialog.

The following information is displayed:

- Primary Variable
- Secondary Variable
- Tertiary Variable
- Quaternary Variable
- Loop-Current



Accessing the Measured Value Window

1. In the PACTware™ project, right-click on the device.
 - ↳ A context menu opens.
2. Select **Measured Value**.
 - ↳ The **Measured Value** window appears.

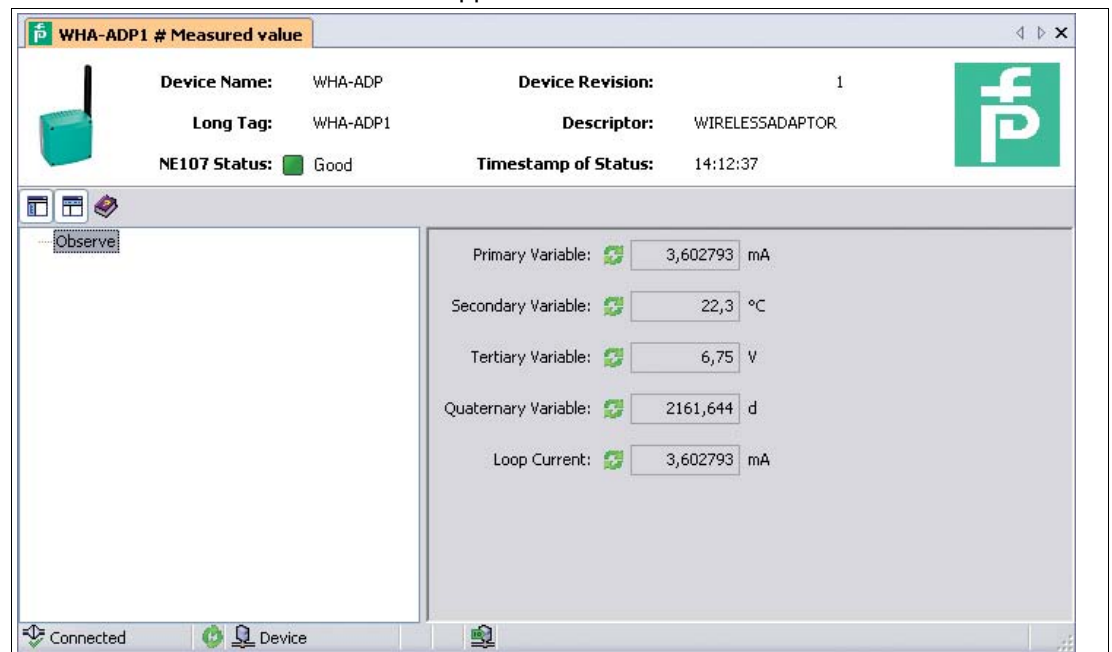


Figure 6.2 Measured value

6.3 Simulation

Adapter parameters can be simulated for test and commissioning purposes. When the simulation is activated, the required parameter can be selected from a drop-down list. After a value has been assigned, the simulation is started by pressing **Execute Simulation**.

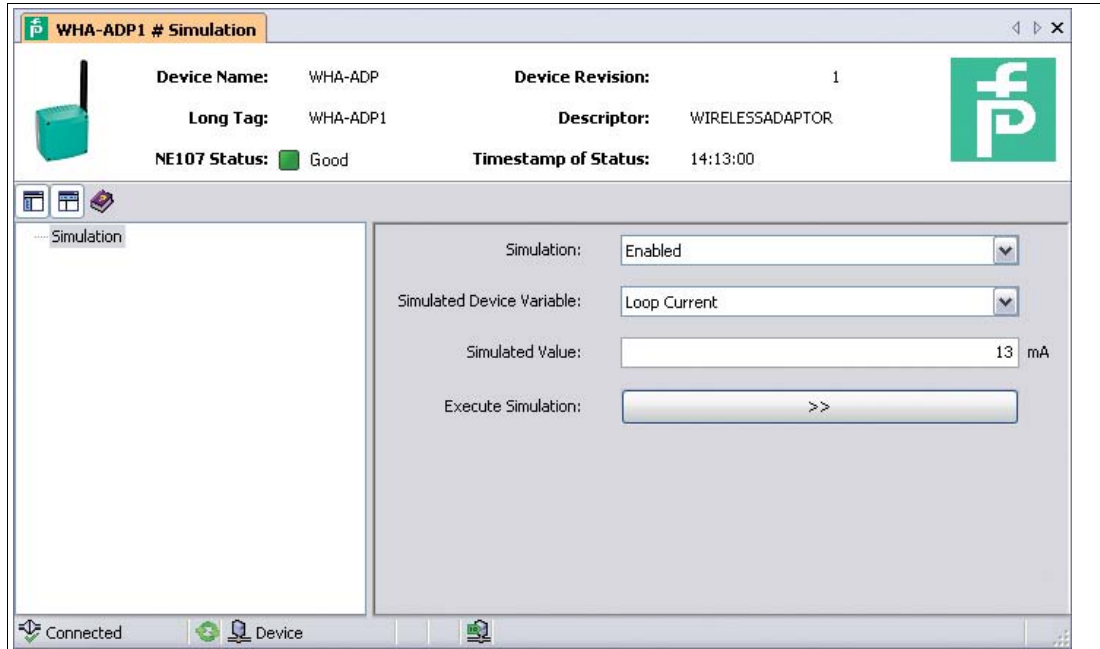


Figure 6.3 Simulation



Note!

The data listed in the following table is available only during online parameterization.

Simulation Parameters

Parameter	Description
Simulation	Enable or disable simulation mode.
Simulated Device Variable	Select the device variable to be simulated. <ul style="list-style-type: none"> ■ Current Temperature ■ Temperature min: Minimum temperature of the adapter since last temperature reset ■ Temperature max: Maximum temperature of the adapter since last temperature reset ■ Battery voltage ■ Consumed Energy ■ RSL of best neighbour (RSL = Received Signal Level) ■ RSL of second best neighbour ■ Battery voltage with load ■ Battery voltage without load during battery test ■ Normalized Consumed Energy ■ Estimated Lifetime ■ Loop Current

221980 2013-11

Parameter	Description
Simulated Value	Enter simulated value.
Execute Simulation	Press this button to start simulation when simulation mode enabled.

6.4 Diagnostics

The **Diagnostics** function provides detailed information about the device, wireless/wired communication and health status.



Note!

Available Only Online (DTM)

If using the configuration via DTM and PACTware™ the **Diagnostics** function is available only online. see chapter 5.2



Accessing the Diagnostics Window

1. If using the DTM and PACTware™, right-click the device in the project tree and select **Diagnos-tics**.
2. If using the the web interface, select **Diagnostics** in the navigation area on the left.

6.4.1 Identification

Identification provides information about the hardware and software of the device.

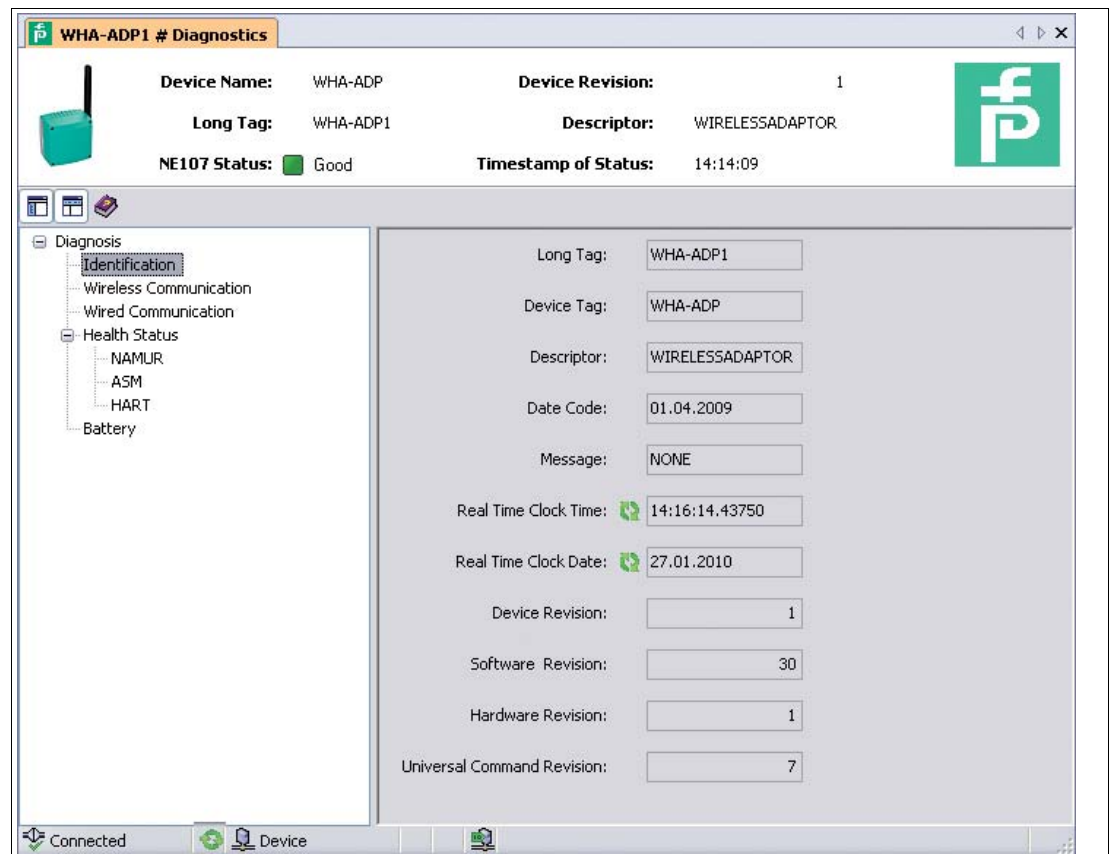


Figure 6.4 Diagnosis > Identification



Note!

The data listed in the following table is available only during online parameterization.

Diagnosis - Identification

Parameter	Description
Long Tag	Identifies the device in a <i>WirelessHART</i> network.
Device Tag	Identifies the field device within the process plant
Descriptor	Further description of the device.
Date Code	Date, dd.mm.yy, indicating the date of the last parameter change
Message	User defined message.
Real time clock time	Shows the time currently set in the device.
Real time clock date	Shows the date currently set in the device.
Device Revision	Revision of the device.
Software Revision	Software revision of the device.
Hardware Revision	Hardware revision of the device.
Universal command revision	Revision of the HART protocol supported by the adapter.

6.4.2 Wireless Communication

Wireless Communication provides information about the operation of the device within the *WirelessHART* network.

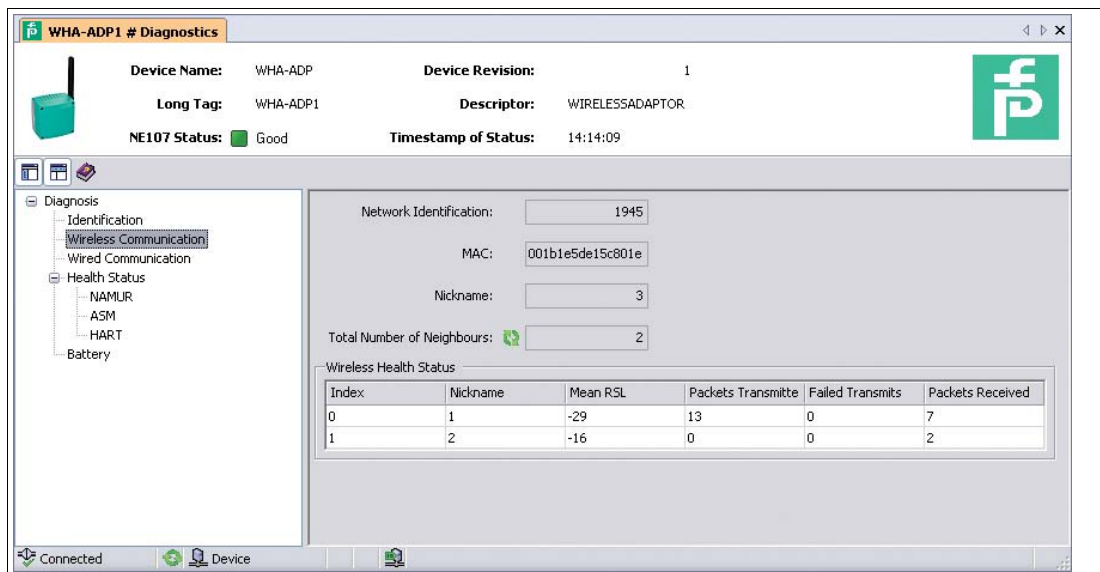


Figure 6.5 Diagnosis > Wireless Communication



Note!

The data listed in the following table is available only during online parameterization.

Diagnosis - Wireless Communication

Parameter	Description
Network Identification	Network ID of the wireless network.
MAC	MAC address of adapter
Nickname	Short destination address of the device.
Total Number of Neighbors	Number of <i>WirelessHART</i> devices to which a connection has been established.
Wireless Health Status	<p>Key performance indicators of network communication:</p> <ul style="list-style-type: none"> ■ Index: Identifier of neighbouring device ■ Nickname: Short destination address of neighbouring device ■ Mean RSL: Mean signal strength of neighbour since adapter joined the network ■ Packets Transmitted: Number of packets sent by adapter since joining the network ■ Failed Transmits: Number of packets sent by adapter since joining the network and that failed to reach their destination (after retries) ■ Packets Received: Number of packets received by adapter since joining the network

6.4.3 Wired Communication

Wired Communication provides information about the HART device(s) connected to the adapter.

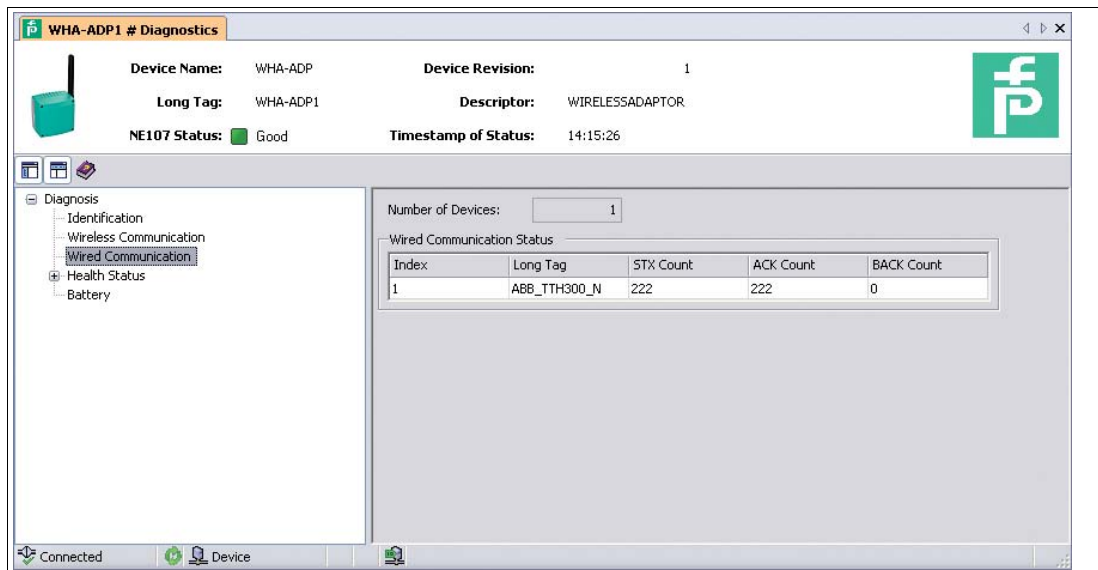


Figure 6.6 Diagnosis > Wired Communication

Diagnosis - Wired Communication

Parameter	Description
Number of Devices	Number of HART devices connected to the adapter.
Wired Communication Status	Key performance indicators of network communication: <ul style="list-style-type: none"> ■ Index: Identifier of HART device ■ Long Tag: Long tag of connected device ■ STX Count: Number of transactions started by the adapter ■ ACK Count: Number of HART device acknowledgements to adapter ■ BACK Count: Number of HART device burst messages

6.4.4 Health Status

The **Health Status** menu contains diagnostic information. The information is displayed in three different ways according to:

- NAMUR NE107 guidelines,
- ASM guidelines,
- HART specification.

Open the corresponding sub-menu to view the respective information.

NAMUR

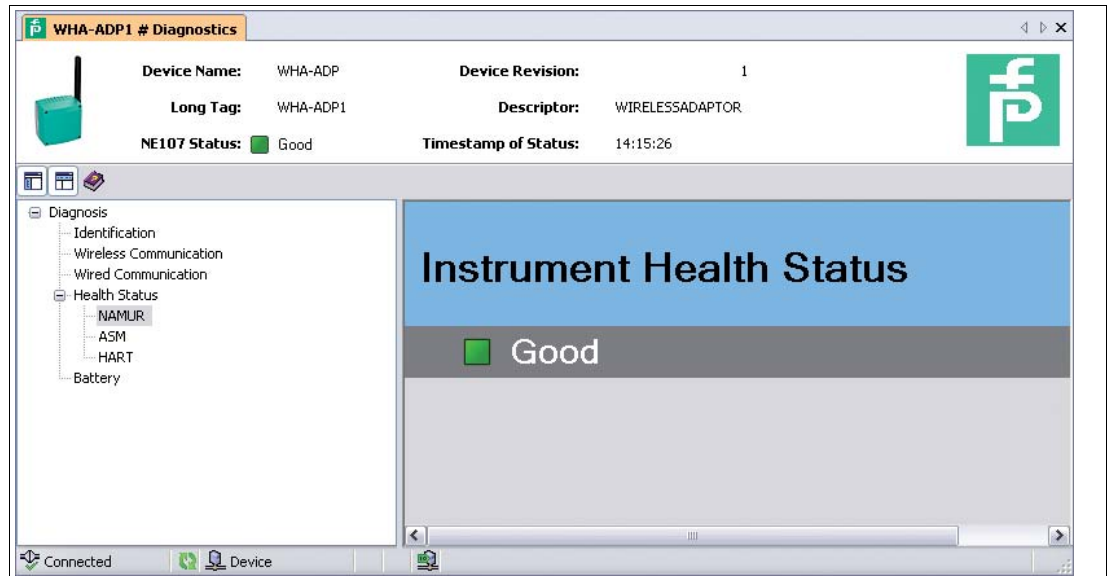


Figure 6.7 Diagnosis > Health Status > NAMUR

The following status messages according to the NAMUR NE107 guidelines can be displayed:

- Good
- Failure (F)
- Maintenance (M)
- Out of specification (S)
- Function check (C)

ASM

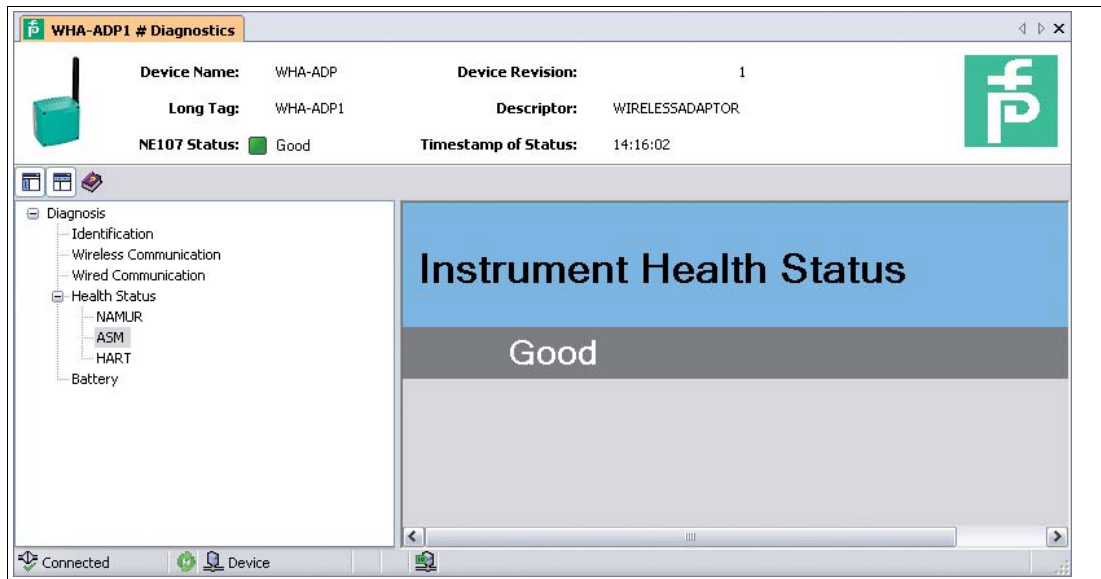


Figure 6.8 Diagnosis > Health Status > ASM

The following status messages according to the ASM guidelines can be displayed:

- Good, device operating as normal
- Faults in the sensor or actuator element
- Faults in the electronics
- Installation faults, fault during start-up
- Faults due to process influence, faults due to non-compliance with specified operating conditions.

HART

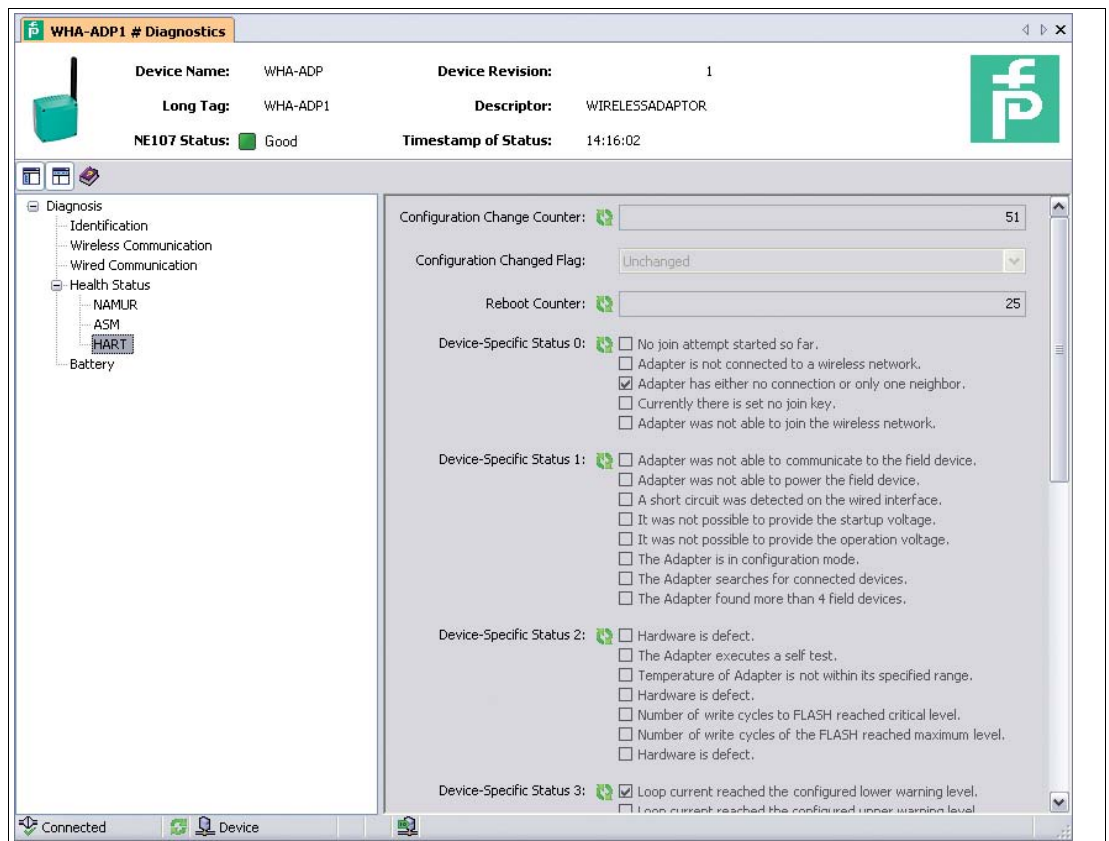


Figure 6.9 Diagnosis > Health Status > HART

Diagnosis - Health Status - HART

Parameter	Description
Configuration Change Counter	Counter which increments by one on every change in adapter configuration.
Configuration Changed Flag	Indicates a change in configuration since the last call up.
Reboot Counter	Counter which increments by one on every reboot of the adapter.
Device Specific Status 0	Indicates network status.
Device Specific Status 1	Indicates wired communication status.
Device Specific Status 2	Indicates internal wireless communication module status.
Device Specific Status 3	Indicates status of current signal of the connected device.
Device Specific Status 4	Indicates a device malfunction.
Extended Device Status	Indicates the general status of the device.
Standardized Status 0	Indicates the status of the adapter.
Analog Channel Saturated	Indicates that current signal of the connected device is overrange.
Standardized Status 2	Indicates the standardized status of the wired (HART) connection.
Standardized Status 3	Indicates the standardized status of the network.
Real Time Clock	Current time.

6.4.5 Power Supply

The **Diagnosis > Power Supply > Battery** menu contains information on the battery unit of the device.

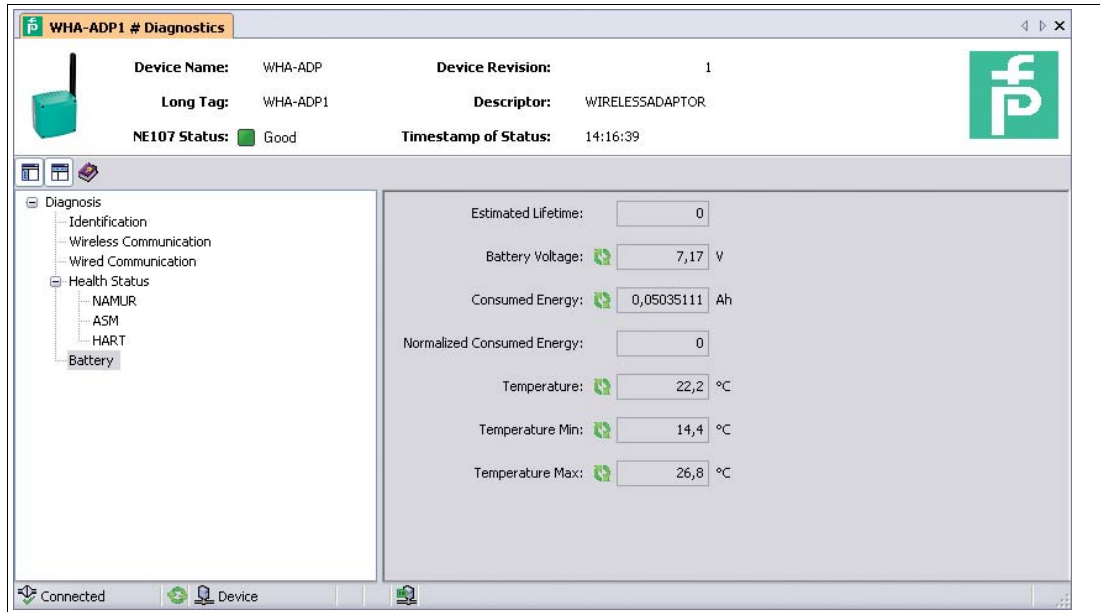


Figure 6.10 Diagnosis > Battery

Diagnosis - Battery

Parameter	Description
Estimated lifetime	Number of days battery power will last under the current load conditions.
Battery Voltage	Current voltage of the battery
Consumed Energy	Current consumed energy
Normalized Consumed Energy	Consumed energy with respect to normalized conditions
Temperature	Current temperature of device.
Temperature Min	Minimum temperature of the adapter since last temperature reset
Temperature Max	Maximum temperature of the adapter since last temperature reset

6.5 Additional Functions



Accessing the Additional Functions window

1. If using the DTM and PACTware™, right-click the device in the project tree, select **Additional functions** and choose the desired function.
2. If using the the web interface, select **Additional Functions** in the navigation area on the left.

6.5.1 Lock / Unlock

You can protect the device against unauthorized or undeliberate parameter changes (write protection).

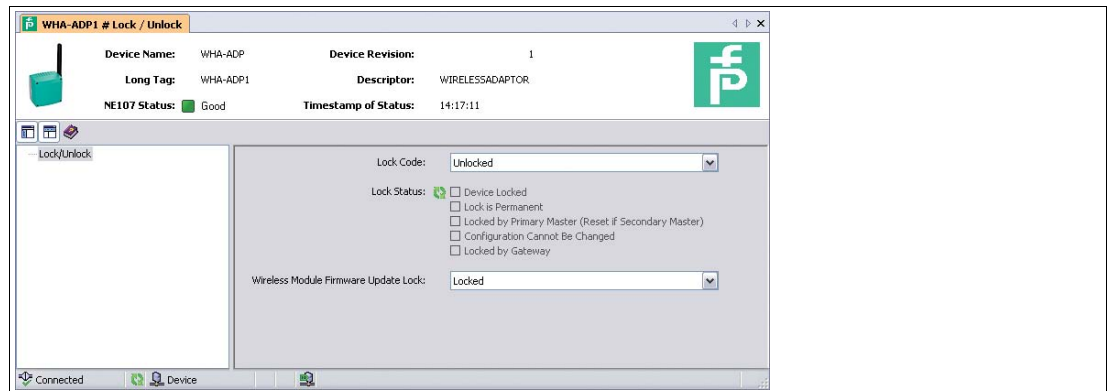


Figure 6.11 Additional functions > Lock / Unlock

Lock / Unlock

Parameter	Description
Lock Code	<ul style="list-style-type: none"> ■ Unlocked: Adapter is unlocked, all parameters can be changed ■ Lock Temporary: Adapter is locked. A device reset or power loss will unlock it ■ Lock Permanent: Adapter is locked. It can be unlocked by a master only ■ Lock All: Adapter is locked. It can be unlocked only by the master that locked it
Lock Status	<ul style="list-style-type: none"> ■ Device Locked ■ Lock is Permanent ■ Locked by Primary Master (Reset if Secondary master) ■ Configuration Cannot be Changed ■ Locked by Gateway
Wireless Module Firmware Update Lock	<ul style="list-style-type: none"> ■ Unlocked: Adapter firmware can be downloaded ■ Locked: Adapter firmware cannot be downloaded

6.5.2 Update Firmware

Update firmware is used to download new adapter firmware locally or from an FTP server to the adapter. The parameter **Wireless Module Firmware Update Lock** in **Lock/Unlock** must be set to "Unlock" before the firmware can be downloaded.



Caution!

Important information concerning firmware update

Please heed the following information when updating the firmware:

- Before updating the firmware, please deactivate all burst modes using the **Burst Mode Control Code** parameter. see chapter 5.7.2
- Do not update multiple *WirelessHART* adapters via the wireless network at the same time. If you have several adapters, update one at a time.

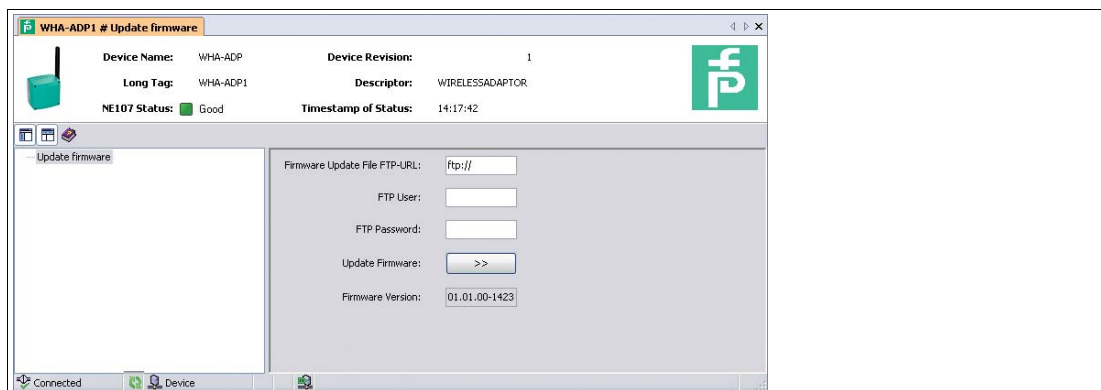


Figure 6.12 Additional functions > Update firmware

Update Firmware

Parameter	Description
Firmware Update File FTP-URL	URL of the FTP server or path and file name of a local storage medium.
FTP User	User name for FTP server.
FTP Password	User password for FTP server.
Update Firmware	Press this button to start firmware update procedure.
Firmware Version	Current firmware version of the adapter.

6.5.3 Device DTM Info

Device DTM Info gives standardized information about the adapter to which the DTM is connected.

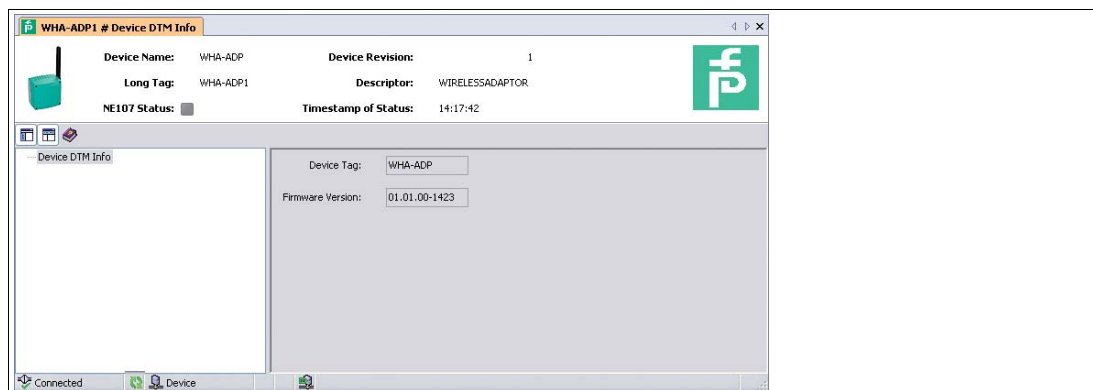


Figure 6.13 Additional Functions > Device DTM Info

Device DTM Info

Parameter	Description
Device Tag	Normally identifies the measuring point in the plant
Firmware Version	Current firmware version of the adapter

6.5.4 Self Test

After pressing the **Perform Self-Test** button in the **Additional Functions > Self Test** menu the device carries out a self test.

The results of the self test can be seen in the **Diagnostics** menu. see chapter 6.4

6.5.5 About

Additional Functions > About displays information about the device, its manufacturer, and its firmware version.

7 Maintenance and Repair

7.1 Exchanging the Battery

New battery units for the adapter of the type W-BAT-B2-Li can be ordered from Pepperl+Fuchs under the part no. 220390.



Warning!

Caustic battery acid

Leaking battery acid can cause personal injury and damage to the device.

- Never use batteries that are leaking.
- Never use batteries with external damage such as dents or deep scratches, even if no battery acid is leaking.



Caution!

Possible damage because of wrong battery

Using the wrong type of battery may cause damage to the device.

Use lithium primary batteries from Pepperl+Fuchs approved for this device only.



Note!

- When operating at ambient conditions different from the conditions specified, battery capacity can be reduced up to 50%.
- The device has internal battery diagnostics that can send a warning when battery conditions are outside the acceptable operating range.



Changing the Battery

1. Open the adapter housing by unscrewing the four Phillips screws.
2. Pull the battery connecting cable plug from its socket.
3. Press the two clips which secure the battery simultaneously to the middle and remove the old battery unit.
4. Press the new battery unit into position.
 - ↳ The pack is properly secured after the two clips have made an audible click.
5. Insert the battery connecting cable plug into the socket in the printed circuit board.
6. Close the housing cover and screw it tight.
7. Reset the measurement of the consumed battery charge by pressing the **Battery Changed** button in the device DTM. see chapter 5.8
 - ↳ The measurement is reset.

7.2 Disposal of Batteries

The battery / the battery unit is non-rechargeable. The batteries are non-hazardous when used according to the recommendations of the manufacturer. However, they do contain hazardous substances and therefore must be disposed of in compliance with the applicable laws and guidelines of the corresponding country.

8 Troubleshooting

8.1 Faults Indicated by LEDs



Note!

To save battery power all LEDs are off during normal operation, even if the device is communicating or joining the network. The LEDs only light up after start up or while pressing the buttons.

For more information on the LED indications, see chapter 6.1.1.

Green LED (battery status)		
State	Possible Cause(s)	Action(s)
LED flashes at 1 Hz	Warning: less than one month of battery life is left.	Change battery as soon as possible. See chapter 7.1
LED flashes at 3 Hz	Alarm: the battery is critically low, loop power cannot be supplied.	Change battery immediately. See chapter 7.1
LED off	Off: the battery is flat or disconnected.	Change/connect battery. See chapter 7.1

Yellow LED (communication status)		
State	Possible Cause(s)	Action(s)
LED flashes at 1 Hz	Joined, no alternative path: the device was able to join the network. However, it can communicate with a single wireless node only. There is no alternative communication path to the gateway.	<ul style="list-style-type: none"> ■ Add a <i>WirelessHART</i> device that is within the antenna range of the adapter. ■ Change the position of the adapter.
LED flashes at 3 Hz	Joining: the device is attempting to join the network.	none
LED off	Not joined: joining the network has failed. The device is no longer attempting to join. <ul style="list-style-type: none"> ■ There are no communication paths available. ■ No <i>WirelessHART</i> network has been set up so far. ■ The Network ID and/or Join Key is not correct. 	<ul style="list-style-type: none"> ■ Add a <i>WirelessHART</i> device that is within the antenna range of the adapter and try joining the network again. Change the position of the adapter and try joining the network again. ■ Install a <i>WirelessHART</i> gateway first. Set up a <i>WirelessHART</i> network. ■ Check Network ID and Join Key.

Red LED (device status)		
State	Possible Cause(s)	Action(s)
LED on	Internal Fault: an internal fault condition has been identified	Send the device back to the manufacturer.
LED flashes at 1 Hz	External Fault: operative fault that can possibly be remedied by the user (e.g. adapter temperature outside specified limits, measured value outside configured range).	Check the Diagnosis function of the DTM to find out what kind of error has occurred. See chapter 6.4
LED flashes at 3 Hz	Short-circuit: there is a short-circuit between terminals 1 and 2.	Check wiring. See chapter 3.3

8.2 Wireless Communication Faults

Fault	Possible Cause(s)	Corrective Action(s)
PACTware™ cannot find the device when communicating via WirelessHART Gateway.	The device has not yet joined the network.	The joining process may take a while. Check the join status in the gateway's Instrument List. Alternatively, check the wireless communication parameters (join status) of the device via a HART modem connected to the device. If the device does not join, check the next fault.
	The device carries the wrong Network ID and/or Join Key.	Check the wireless communication parameters of the device via a HART modem connected to the device. The device and the gateway must have the same Network ID and Join Key.

Fault	Possible Cause(s)	Corrective Action(s)
The device does not join the network.	No battery or low battery	Check that a fresh battery of the correct type is inserted.
	The device carries the wrong Network ID and/or Join Key.	Check the wireless communication parameters of the device via a HART modem connected to the device. The device and the gateway must have the same Network ID and Join Key.
	No neighboring <i>WirelessHART</i> devices are within the device's antenna range.	<ul style="list-style-type: none"> ■ Check the number of neighbors in the device DTM (wireless communication parameters). There should be at least 2 neighbors. ■ If there are no reachable neighbors, check the device's mounting position: Are there any obstacles? If yes, change the mounting position. ■ If there are no reachable neighbors and you can not change the device's mounting position: Try moving an other <i>WirelessHART</i> device in the network, or adding a new one.
	Device not mounted correctly	Check that the device has been mounted correctly. See chapter 3.1
	Device not trying to join	Check whether the device is trying to join the network (LEDs): if not, start a new connection attempt by pressing the correct button. See chapter 6
Device disappears sporadically from the network	There are not enough neighboring <i>WirelessHART</i> devices within the antenna range of the device.	Check the number of neighbors in the device DTM (wireless communication parameters). There should be at least 2 neighbors.

8.3 Wired Communication Faults

Fault	Possible Cause(s)	Corrective Action(s)
PACTware™ cannot find the adapter when communicating via a HART modem.	HART communication DTM not connected to correct COM port	Select the correct COM port from the drop-down menu. <ul style="list-style-type: none"> ■ RS-232C = COM1 or COM2 ■ USB = COMx as displayed Check to which COM port your HART modem is connected. See chapter 4.3 Then set the correct COM port in the HART communication DTM. See chapter 4.5.2
	HART modem plugged into wrong USB port (some computers assign fixed COM ports to USB ports). Maybe you are using a different USB port than during setup.	<ul style="list-style-type: none"> ■ Plug the HART modem into the correct USB port. ■ Alternatively, adjust the COM port setting in the HART communication DTM. See chapter 4.5.2
	Adapter address not found by the HART communication DTM	<ul style="list-style-type: none"> ■ Configure the correct address range. See chapter 4.5.2 ■ Default adapter address = 15
	For USB/HART modems, voltage level at Terminals 7 and 8 to high for reliable communication	Switch in the communication resistor or connect a 250 Ω resistor across terminals 5/7 and 6/8. See chapter 3.3.1
A field device powered by the adapter will not start up	Battery not connected or exhausted	<ul style="list-style-type: none"> ■ Check the connection, if necessary replace the battery. ■ A simple check is to shake the adapter or battery unit. If you hear liquid, the battery still has life.
	Power supply parameters are incorrect	Find the correct parameters in the device manual and enter them into the DTM. See chapter 5.8
	Connected field device has a very low impedance - the adapter interprets this as a short-circuit and switches off the power	Connect a resistor in series with the device, for example, a 250 Ω resistor.
The parameters of a field device powered by the adapter cannot be read by the adapter DTM. Wired Communication Dialog: see chapter 5.5	Device does not support HART protocol	Parameters can be read from a HART device only.
	Device address not found by the Adapter DTM	Check the highest scan address. See chapter 5.5
	Device not powered	See previous fault.
	Device powered, but shuts down before it communicates	Increase power supply parameter "Lead Time" in steps of 10 s until the fault is eliminated. See chapter 5.8

Fault	Possible Cause(s)	Corrective Action(s)
The parameters of an independently operating 4-wire field device cannot be read by the adapter DTM. Wired Communication Dialog: see chapter 5.5	Device does not support HART protocol	Parameters can be read from a HART device only.
	Device address not found by the Adapter DTM	Check the highest scan address. See chapter 5.5
	Device not powered	Check the power supply of the device.
	Device not wired up correctly	Check the wiring. See chapter 3.3.1
The parameters of a field device in a control loop cannot be read by the adapter DTM. Wired Communication Dialog: see chapter 5.5	Device does not support HART protocol	Parameters can be read from a HART device only.
	Device address not found by the Adapter DTM	Check the highest scan address. See chapter 5.5
	Device not powered	Check loop power.
	Device not wired up correctly	Check the wiring of the device. See chapter 3.3.1
	PLC or Remote I/O acting as primary master forces adapter to operate as slave	Configure adapter as secondary master. See chapter 5.5
PACTware™ cannot find a field device connected to Terminals 1 + 2 or 2 + 3 of the adapter when communicating through a HART modem connected to Terminals 5/7 and 6/8	For control loops with communication resistor: Device address not found by the HART communication DTM	Configure the correct address range. See chapter 4.5.2
	For control loops without communication resistor, for 2-wire devices powered by adapter and for 4 wire devices: No communication path to device (design feature)	<ul style="list-style-type: none"> ■ Depending upon circuit, connect modem across terminals 1 and 2 or 2 and 3. See chapter 3.3.1 ■ Configure the correct address range. See chapter 4.5.2
	For all connections: Device not powered	Check the power supply of the device.
Adapter does not restart after disconnecting and connecting the battery	Battery reconnected before adapter power fully discharged	<ol style="list-style-type: none"> 1. Disconnect the battery again. 2. Press button for 3 seconds. 3. Wait one minute. 4. Reconnect the battery.
PACTware™ cannot find a connected HART device when communicating via WirelessHART Gateway.	Device does not support HART protocol	Parameters can be read from a HART device only.
	Device address not found by the Adapter DTM	Check the highest scan address. See chapter 5.5
	Device not powered	See second fault.
	Device powered, but shuts down before it communicates	Increase power supply parameter "Lead Time" in steps of 10 s until the fault is eliminated. See chapter 5.8

9 Technical Specifications

9.1 WHA-ADP-F8B2-* -GP(-1)

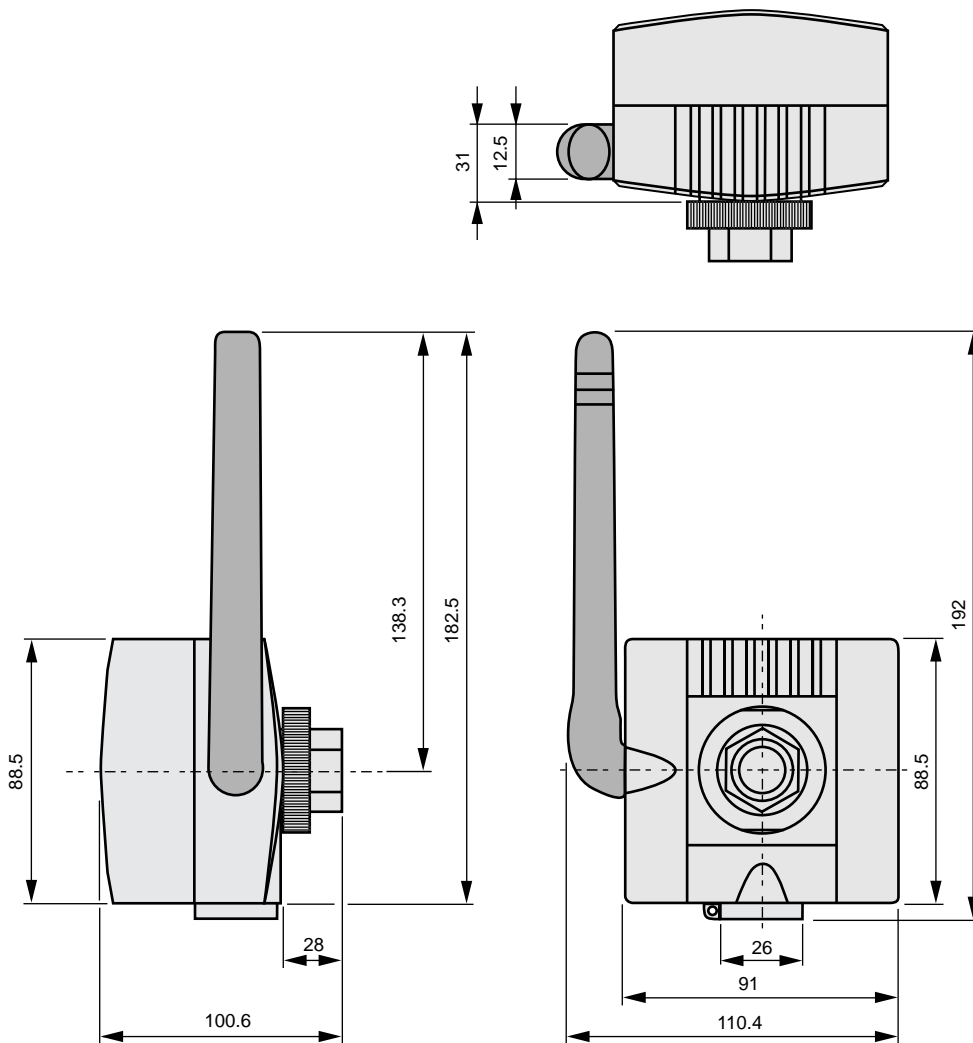
Supply	
Rated voltage	7.2 V DC , battery operated
Electrical specifications	
Output rated operating current	4 ... 20 mA
Supply	loop power for field devices voltage 8 ... 23 V DC, adjustable in steps of 0.1 V
Input	
Number of channels	1
Connectable field devices	usable for: - one point-to-point connection with a HART field device, or - one point-to-point connection with a 4 ... 20 mA field device, or - up to four externally powered HART field devices operating in multidrop mode
Connection	terminals 1, 2, 3, 4, 5, 6 multiple wirings available , depending on operating mode
Current	4 ... 20 mA
HART communication	
Protocol	HART 7.1, backward compatible
Number of devices	- one passive 4 ... 20 mA/HART field device - up to 4 HART field devices in multidrop mode
Transfer rate	1200 Bit/s
Parameters	primary/secondary master, preambles, retries and short address scan ranges
Output	
Interface	omnidirectional dipole antenna, adjustable in vertical plane
Output variables	PV: loop current SV, TV, QV:configurable according to user requirement - adapter: temperature, battery voltage, energy consumed and estimated battery life-time - 4 ... 20 mA device: scaled or linearized process value - HART device: up to four process variables
Communication	<i>WirelessHART</i> specifications - physical layer: IEEE 802.15.4.2006 - frequency band: 2.4 GHz (ISM band, licence free) - transmission rate: 250 kBit/s - max. transmit power: +10 dBm (EIRP) - transmission range: outdoor 250 m, indoor 50 m (under reference conditions) - communication standard: <i>WirelessHART</i>
Transfer characteristics	
Accuracy	current input: 0.125 % of measuring range
Influence of ambient temperature	current input: 5 µA/K
Indicators/settings	
Display elements	green LED: battry status yellow LED: communication status red LED: device status

221980 2013-11

Controls	1 push button for: - device status - enter/leave configuration mode - join trigger - factory reset
Configuration	wired interface: - HART 7.1, FSK compatible - transmission rate: 1200 Bit/s - used for device commissioning with a handheld terminal or a configuration tool (DTM)
Parameter assignment	- wireless transmit power: configurable to 0 dBm or 10 dBm (EIRP) - device variables mapping - publishing of up to ten burst messages in a wireless network, period and trigger mode selectable - notification of up to five events from adapter and/or connected device(s) in a wireless network - scaling and linearization of 4 ... 20 mA signal of connected analog device - tuning of supply parameters for the connected device - locking/unlocking of device parameterization
Directive conformity	
Electromagnetic compatibility	
Directive 2004/108/EC	EN 61326-1:2006
Radio and telecommunication terminal equipment	
Directive 99/5/EC	ETSI EN 300328: V1.7.1 (2006-10), ETSI EN 301489-17: V1.2.1 (2002-08), EN 60950:2001
FCC CFR47 Part 15 B and C	ANSI C63.4-2003
Conformity	
Protection degree	IEC 60529
Shock resistance	EN 60068-2-27
Vibration resistance	EN 60068-2-64
Ambient conditions	
Ambient temperature	-40 ... 80 °C (-40 ... 176 °F)
Storage temperature	-40 ... 85 °C (-40 ... 185 °F)
Relative humidity	max. 90 % , noncondensing
Vibration resistance	20 ... 2000 Hz, 0,01 g ² /Hz
Impact resistance	15 g, 11 ms
Corrosion resistance	acc. to ISA-S71.04-1985, severity level G3 test setup and execution acc. to EN 60068-2-60
Mechanical specifications	
Housing width	110.4 mm
Housing height	192 mm
Housing depth	100.6 mm
Protection degree	IP66
Cable entry	M20 x 1.5 ; enclosed cable gland
Material	plastic
Mass	approx. 750 g
Dimensions	91 x 88.5 x 100.6 mm (3.6 x 3.5 x 4 in) (without cable glands and antenna)

Mounting	mounting on field device , panel or pole mounting versions see type code
General information	
Supplementary information	EC-Type Examination Certificate, Statement of Conformity, Declaration of Conformity, Attestation of Conformity and instructions have to be observed where applicable. For information see www.pepperl-fuchs.com .
Accessories	
Designation	battery W-BAT-B2-Li mandatory for use in connection with hazardous areas (order separately) mounting set W-ACC-MKF8

9.2 Dimensions



221980 2013-11

9.3 Telecommunication Compliance

- ETSI (R&TTE)
- FCC Part 15.247 for wireless applications in the area of 2.4 GHz
- EN 300 328

The usage of 2400 MHz equipment is bound to local restrictions. Ensure that local restrictions allow usage of this product before commissioning.

Country	Guideline
Bulgaria	General authorization required for outdoor use and public service.
Italy	If used outside of own premises, general authorization is required.
Japan	The device is granted pursuant to the Japanese Radio Law and the Japanese Telecommunications Business Law. The device must not be modified (otherwise the granted designation number will become invalid).
Latvia	The outdoor usage of the 2.4 GHz band requires an authorization from the Electronic Communications Office.
Norway	May be restricted in the geographical area within a radius of 20 km from the center of Ny-Alesund.
Rumania	Use on a secondary basis. Individual license required.

PROCESS AUTOMATION – PROTECTING YOUR PROCESS



Worldwide Headquarters

Pepperl+Fuchs GmbH
68307 Mannheim · Germany
Tel. +49 621 776-0
E-mail: info@de.pepperl-fuchs.com

For the Pepperl+Fuchs representative
closest to you check www.pepperl-fuchs.com/contact

www.pepperl-fuchs.com

 **PEPPERL+FUCHS**
PROTECTING YOUR PROCESS

Subject to modifications
Copyright PEPPERL+FUCHS • Printed in Germany

221980 / TDOCT-1897CENG
11/2013