

AS-INTERFACE G10 ULTRA-COMPACT MODULE THE SOLUTION FOR DECENTRALIZED APPLICATIONS



AS-INTERFACE G10 ULTRA-COMPACT MODULE

VERY EASY TO TRANSFORM EVERY SENSOR INTO AN AS-INTERFACE SENSOR

The world's smallest AS-Interface module needs no more than 8 cm³ for each I/O. The one-piece enclosure mounts quickly and securely using a single stainless steel screw. Just 20 mm high, it fits in the cable duct. The M12 connection over the cable output means no other connection lines are required. The decentralized installation optimizes line lengths to sensors and actuators. The G10 from Pepperl+Fuchs is also the ideal AS-Interface module for applications that have just a few I/O.



Ultra-compact enclosure:

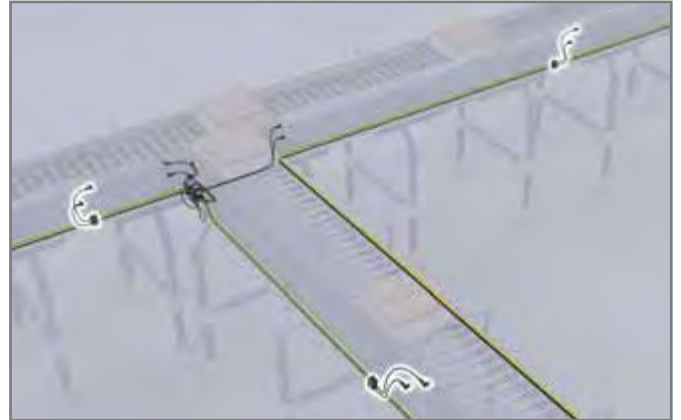
Displays for diagnostics, AS-Interface voltage, 2 inputs, 1 output



THE SMALLEST EVER AS-I MODULE WILL FIT IN THE CABLE DUCT

CUSTOMER BENEFITS

- Mounting possible even in very confined spaces
- Can be placed in the cable duct with no additional mounting requirements
- Decentralized installation reduces amount of wiring required
- One-piece enclosure is quickly installed and gives every standard sensor AS-Interface capabilities
- Gold-plated contact pins with proven sealing capacity provide IP68/69k protection



DECENTRALIZED INSTALLATION

In applications where sensors are widely scattered, the decentralized installation reduces cable lengths. The fact that cable outputs are used means that absolutely no connection cables are required.



M12 connection for PNP 3- and 4-wire sensors and contacts



FITS EASILY INTO EVERY CABLE DUCT

As the G10 ultra-compact module fits easily into the cable duct, the flat cable remains in the cable tray at all times. The sensors and actuators are connected directly to the cable output.



ONE-PIECE ENCLOSURE

The one-piece enclosure is mounted in seconds: insert flat cable, swivel the top into position, and tighten the central screw. Because the enclosure is so compact, additional mounting requirements are usually not required.



UNIQUE SWIVEL MECHANISM

The unique swivel mechanism above the slots that hold the flat cable ensures that there is a reliable contact.

THE NEW G10 ULTRA-COMPACT MODULES

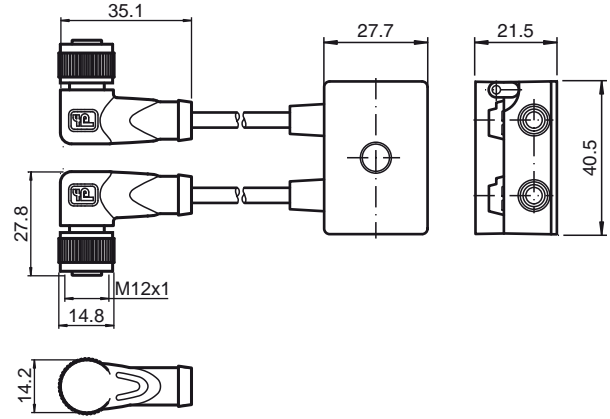
TECHNICAL DATA AND PRODUCT SELECTION

ELECTRICAL DATA

Sensors supplied from AS-i	max. 80 mA in total
Sensors supplied from AUX	up to 1 A in total
Output current per module	up to 1 A (sensor supply incl.)
Displays an overload (sensor and output)	red LED flashes
Displays communication error	red LED lights up
AS-Interface/AUX connection	via flat cable
AS-Interface POWER24	compatible
AS-Interface specification	Spec. 3.0

MECHANICAL DATA

Degree of protection	IP68/IP69k
Materials used	PA 66 / stainless steel
Shock load	10 g
Temperature range	-25 °C ... +75 °C



MODEL NUMBER	DESCRIPTION
VBA-2E-G10-ZAJ-1M-V1-W	Two inputs, connection via M12 plug
VBA-2E-G10-ZAJ-1M-2V1-W	Two inputs, connection via two M12 plugs
VBA-2E1A-G10-ZAL/E2L-1M-2V1-W	Two inputs and one output, connection via two M12 plugs

Other lengths and pin assignments available on request; assignment: Plug 1 = I1 (pin 4) and I2 (pin 2) plug 2 = O1 (pin 2) and I2 (pin 4)

For more information about our AS-Interface G10 ultra-compact modules, visit:

www.pepperl-fuchs.com/g10

Contact

Pepperl+Fuchs GmbH
Lilienthalstraße 200
68307 Mannheim · Germany
Tel. +49 621 776-4411 · Fax +49 621 776-27-4411
E-mail: fa-info@pepperl-fuchs.com

Worldwide Headquarters

Pepperl+Fuchs GmbH · Mannheim · Germany
E-mail: fa-info@pepperl-fuchs.com

USA Headquarters

Pepperl+Fuchs Inc. · Twinsburg, OH · USA
E-mail: fa-info@us.pepperl-fuchs.com

Asia Pacific Headquarters

Pepperl+Fuchs Pte Ltd · Singapore
Company Registration No. 199003130E
E-mail: fa-info@sg.pepperl-fuchs.com

www.pepperl-fuchs.com

 **PEPPERL+FUCHS**
SENSING YOUR NEEDS