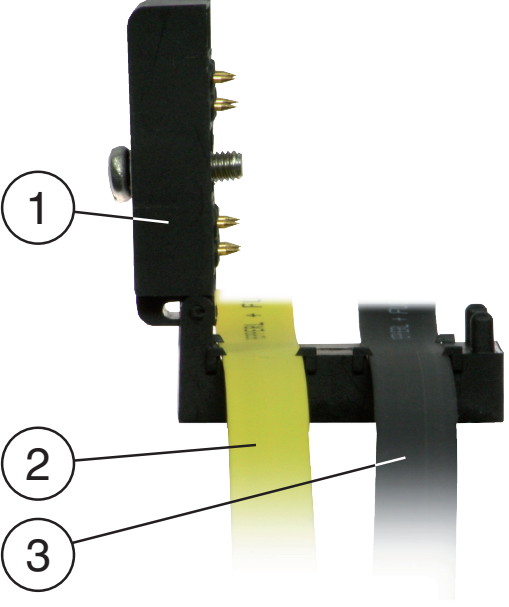
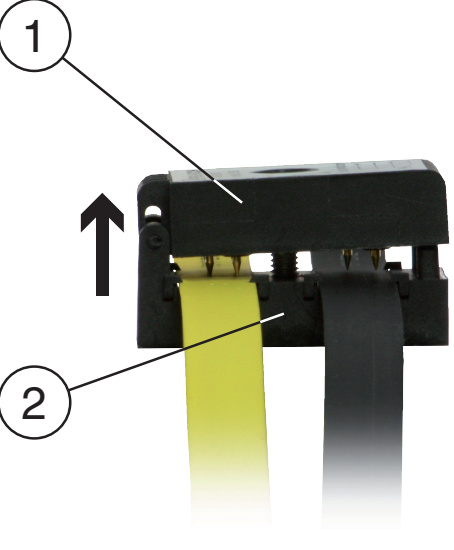
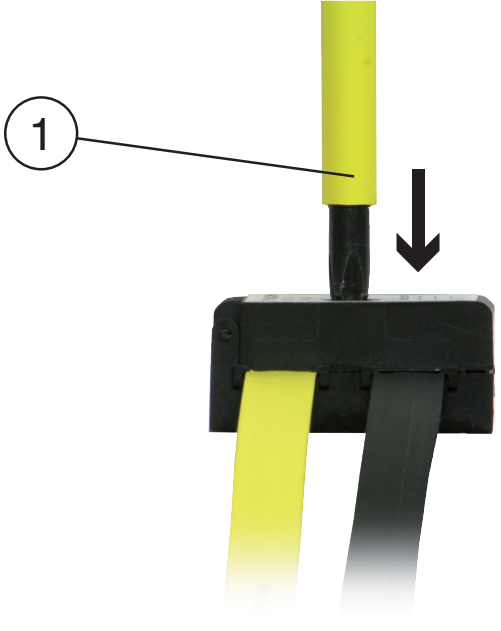



Mounting of the splitter box

	
<p>Open the upper part (1) of the splitter box. Set the AS-Interface flat cables (2) &amp; (3) into the channels.</p>	<p>Close the upper part (1). Make sure that you pull the upper part upwards at the pivot point at the same time (see arrow). The upper part (1) is parallel to the base (2).</p>

	
<p>Tighten the central screw with a screwdriver (1). The gold-plated contact pins penetrate the cable.</p>	<p>Make sure that the upper part does not jam when closing!</p>

Release date: 15.07.2010 Date of issue: 15.07.2010 doct-2117