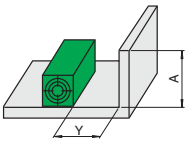
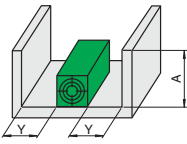
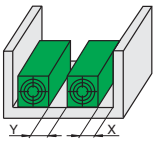
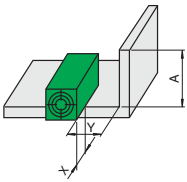
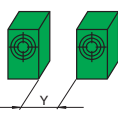
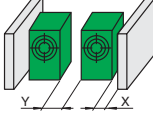
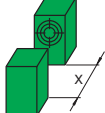
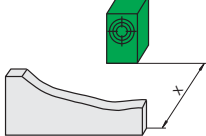


**Cuboid proximity switches**

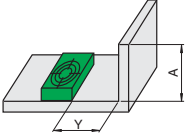
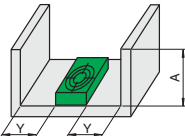
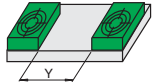
**Series -F9, -F10, -F11**

Type	Installation									
		A	Y	A	Y	Y	X	A	Y	X
NBB5-F9...	flush	no effect	$\geq 0$	no effect	$\geq 0$	$\geq 34$	$\geq 0$	no effect	$\geq 0$	$\geq 0$
NBN10-F10...	not flush	-	-	-	-	-	-	no effect	$\geq 0$	$\geq 1$
NBN15-F11...	not flush	-	-	-	-	-	-	no effect	$\geq 0$	$\geq 7$

**Series -F1 and -V3**

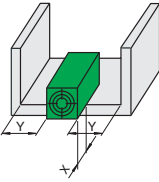
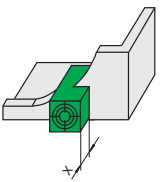
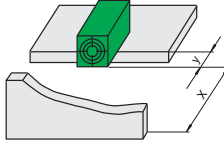
Type	Installation									
		Y	Y	X	X	X				
NBB2-F1...	flush	$\geq 0$	$\geq 0$	$\geq 0$	$\geq 15$	$\geq 6$				
NBB4-F1...	flush	$\geq 0$	$\geq 0$	$\geq 0$	$\geq 20$	$\geq 12$				
NBB2-V3...	flush	$\geq 2$	$\geq 2$	$\geq 0$	$\geq 15$	$\geq 6$				
NBB3-V3...	flush	$\geq 10$	$\geq 11$	$\geq 0$	$\geq 23$	$\geq 9$				
NBN8-F1...	not flush	$\geq 45$	$\geq 45$	$\geq 15$	$\geq 70$	$\geq 24$				

**Series -F, -F41, -F29, -F79, -F17, -F33**

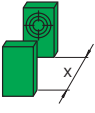
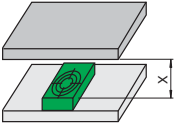
Type	Installation							
		A	Y	A	Y	Y		
NJ6-F...	flush	$\leq 12$	$\geq 0$	$\leq 12$	$\geq 0$	$\geq 0$		
NBB1,5-F41...	flush	$\leq 8$	$\geq 0$	$\leq 8$	$\geq 0$	$\geq 0$		
NBN4-F29...	not flush	$\leq 5$	$\geq 0$	$\leq 2$	$\geq 0$	$\geq 13$		
NBB1,5-F79...	flush	$\leq 5$	$\geq 0$	$\leq 5$	$\geq 0$	$\geq 0$		
NCB10-F17...	flush	$\leq 7$	$\geq 0$	$\leq 7$	$\geq 0$	k. A.		
NBB5-F33...	flush	$\leq 10$	$\geq 0$	$\leq 10$	$\geq 0$	$\geq 0$		

In individual cases deviations are possible due to exemplary dispersion

Series -F9, -F10, -F11, continuation

						Type
A	Y	X	X	X	Y	
no effect	$\geq 0$	$\geq 0$	$\geq 0$	$\geq 10$	$\geq 0$	NBB5-F9...
no effect	$\geq 0$	$\geq 5$	$\geq 5,5$	$\geq 30$	$\geq 1$	NBN10-F10...
no effect	$\geq 0$	$\geq 12$	$\geq 17$	$\geq 45$	$\geq 7$	NBN15-F11...

Series -F, -F41, -F29, -F79, -F17, -F33, continuation

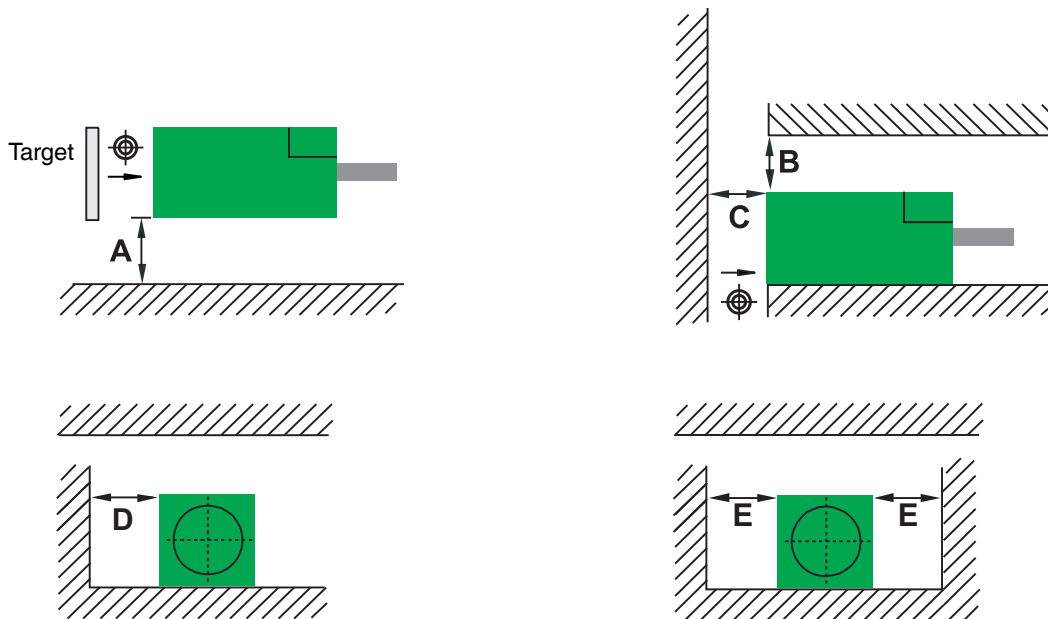
		Type
X	X	
$\geq 63$	$\geq 18$	NJ6-F...
$\geq 13$	$\geq 5$	NBB1,5-F41...
$\geq 25$	$\geq 12$	NBN4-F29...
$\geq 11$	$\geq 5$	NBB1,5-F79...
k. A.	$\geq 30$	NCB10-F17...
$\geq 40$	$\geq 15$	NBB5-F33...

Screw-on proximity switches

Type	Installation	Distance [mm]						
		A	B	C	D	E	F	G
NJ2-F1-	flush	0	0	6	0	0	12	16
NBB2-V3-	flush	0	0	6	0	0	0	10
NJ4-F1	not flush	0	12	12	18	24	24	32
NBB5-F9-...	flush	0	0	15	0	0	16	20
NBN5-F7-...	not flush	0	0	15	0	0	17	20
NJ6-F-...	flush	0	0	18	0	0	22	25
NBB7-F10-...	flush	0	0	20	0	0	25	30
NBN10-F10-...	not flush	0	0	30	0	5	25	40
NCB10-F17...	flush	7,5	0	30	0	0	40	40
NBN15-F11-...	not flush	0	0	45	0	10	30	60

**Note:**

Not flush installed proximity switches must not be surrounded by metal on all sides.



**Mutual interference**

To prevent the mutual interference between two similar sensors the minimum distances specified in these tables must be kept.

For applications where these distances cannot be maintained proximity switches with offset frequencies are available upon request. These can then be installed directly adjacent.

Please talk to our product specialist.

