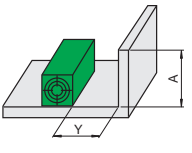
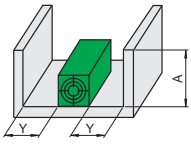
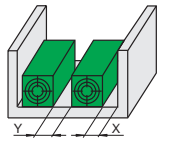
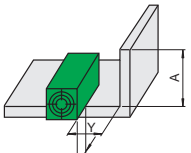
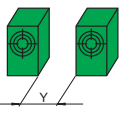
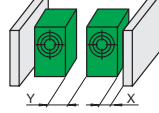
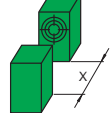
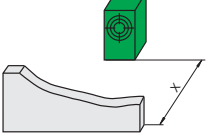


**Cuboid proximity switches**

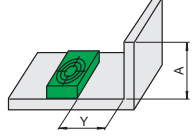
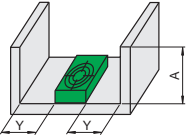
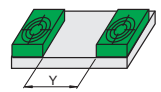
**Series -F9, -F10, -F11**

Type	Installation									
		A	Y	A	Y	Y	X	A	Y	X
NBB5-F9...	flush	no effect	≥ 0	no effect	≥ 0	≥ 34	≥ 0	no effect	≥ 0	≥ 0
NBN10-F10...	not flush	-	-	-	-	-	-	no effect	≥ 0	≥ 1
NBN15-F11...	not flush	-	-	-	-	-	-	no effect	≥ 0	≥ 7

**Series -F1 and -V3**

Type	Installation									
		Y	Y	X	X	X	X			
NBB2-F1...	flush	≥ 0	≥ 0	≥ 0	≥ 15	≥ 6				
NBB4-F1...	flush	≥ 0	≥ 0	≥ 0	≥ 20	≥ 12				
NBB2-V3...	flush	≥ 2	≥ 2	≥ 0	≥ 15	≥ 6				
NBB3-V3...	flush	≥ 10	≥ 11	≥ 0	≥ 23	≥ 9				
NBN8-F1...	not flush	≥ 45	≥ 45	≥ 15	≥ 70	≥ 24				

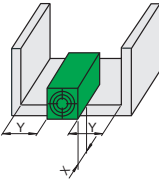
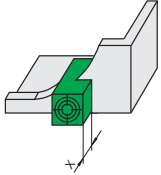
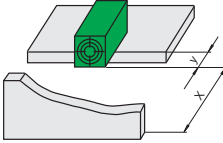
**Series -F, -F41, -F29, -F79, -F17, -F33, -F76**

Type	Installation							
		A	Y	A	Y	Y		
NJ6-F...	flush	≤ 12	≥ 0	≤ 12	≥ 0	≥ 0		
NBB1,5-F41...	flush	≤ 8	≥ 0	≤ 8	≥ 0	≥ 0		
NBN4-F29...	not flush	≤ 5	≥ 0	≤ 2	≥ 0	≥ 13		
NBB1,5-F79...	flush	≤ 5	≥ 0	≤ 5	≥ 0	≥ 0		
NCB10-F17...	flush	≤ 7	≥ 0	≤ 7	≥ 0	k. A.		
NBB5-F33...	flush	≤ 10	≥ 0	≤ 10	≥ 0	≥ 0		
NBB2-F76...	flush	≤ 5	≥ 0	≤ 5	≥ 0	≥ 15		

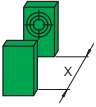
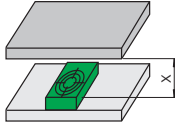
In individual cases deviations are possible due to exemplary dispersion

Date of issue 2020-07-22

Series -F9, -F10, -F11, continuation of page 1

							Type
A	Y	X	X	X	Y		
no effect	$\geq 0$	$\geq 0$	$\geq 0$	$\geq 10$	$\geq 0$	NBB5-F9...	
no effect	$\geq 0$	$\geq 5$	$\geq 5,5$	$\geq 30$	$\geq 1$	NBN10-F10...	
no effect	$\geq 0$	$\geq 12$	$\geq 17$	$\geq 45$	$\geq 7$	NBN15-F11...	

Series -F, -F41, -F29, -F79, -F17, -F33, -F76 continuation of page 1

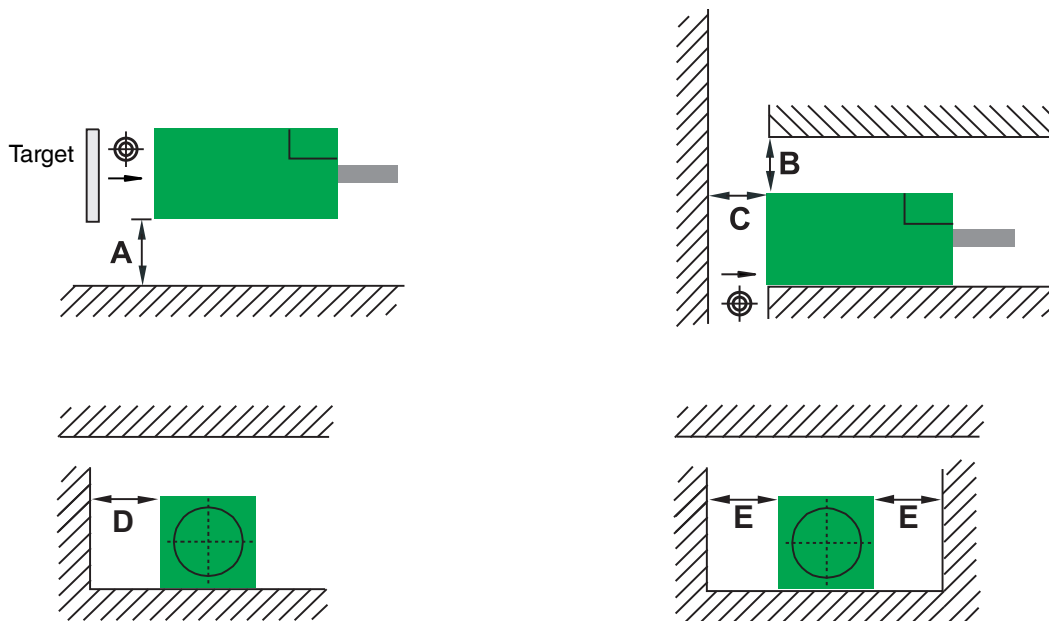
		Type
X	X	
$\geq 63$	$\geq 18$	NJ6-F...
$\geq 13$	$\geq 5$	NBB1,5-F41...
$\geq 25$	$\geq 12$	NBN4-F29...
$\geq 11$	$\geq 5$	NBB1,5-F79...
k. A.	$\geq 30$	NCB10-F17...
$\geq 40$	$\geq 15$	NBB5-F33...
$\geq 20$	$\geq 6$	NBB2-F76...

### Screw-on proximity switches

Type	Installation	Distance [mm]						
		A	B	C	D	E	F	G
NJ2-F1-	flush	0	0	6	0	0	12	16
NBB2-V3-	flush	0	0	6	0	0	0	10
NJ4-F1	not flush	0	12	12	18	24	24	32
NBB5-F9-...	flush	0	0	15	0	0	16	20
NBN5-F7-...	not flush	0	0	15	0	0	17	20
NJ6-F-...	flush	0	0	18	0	0	22	25
NBB7-F10-...	flush	0	0	20	0	0	25	30
NBN10-F10-...	not flush	0	0	30	0	5	25	40
NCB10-F17-...	flush	7,5	0	30	0	0	40	40
NBN15-F11-...	not flush	0	0	45	0	10	30	60

**Note:**

Not flush installed proximity switches must not be surrounded by metal on all sides.



### Mutual interference

To prevent the mutual interference between two similar sensors the minimum distances specified in these tables must be kept.

For applications where these distances cannot be maintained proximity switches with offset frequencies are available upon request. These can then be installed directly adjacent.

Please talk to our product specialist.

