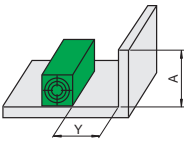
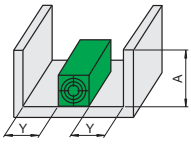
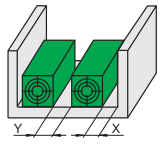
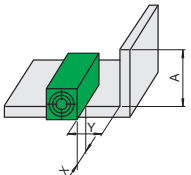
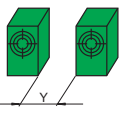
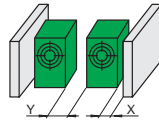
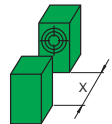
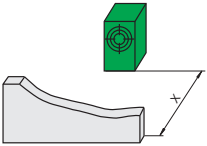


Cuboid proximity switches

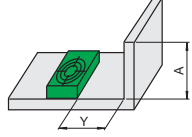
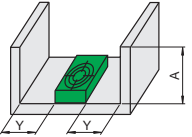
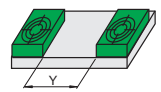
Series -F9, -F10, -F11

Type	Installation									
		A	Y	A	Y	Y	X	A	Y	X
NBB5-F9...	flush	no effect	≥ 0	no effect	≥ 0	≥ 34	≥ 0	no effect	≥ 0	≥ 0
NBN10-F10...	not flush	-	-	-	-	-	-	no effect	≥ 0	≥ 1
NBN15-F11...	not flush	-	-	-	-	-	-	no effect	≥ 0	≥ 7

Series -F1 and -V3

Type	Installation									
		Y	Y	X	X	X				
NBB2-F1...	flush	≥ 0	≥ 0	≥ 0	≥ 15	≥ 6				
NBB4-F1...	flush	≥ 0	≥ 0	≥ 0	≥ 20	≥ 12				
NBB2-V3...	flush	≥ 2	≥ 2	≥ 0	≥ 15	≥ 6				
NBB3-V3...	flush	≥ 10	≥ 11	≥ 0	≥ 23	≥ 9				
NBN8-F1...	not flush	≥ 45	≥ 45	≥ 15	≥ 70	≥ 24				

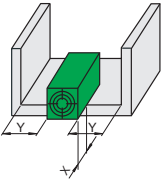
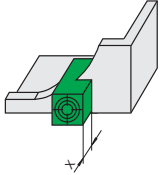
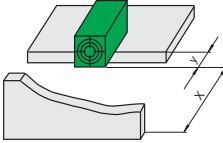
Series -F, -F41, -F29, -F79, -F17, -F33, -F76

Type	Installation							
		A	Y	A	Y	Y		
NJ6-F...	flush	≤ 12	≥ 0	≤ 12	≥ 0	≥ 0		
NBB1,5-F41...	flush	≤ 8	≥ 0	≤ 8	≥ 0	≥ 0		
NBN4-F29...	not flush	≤ 5	≥ 0	≤ 2	≥ 0	≥ 13		
NBB1,5-F79...	flush	≤ 5	≥ 0	≤ 5	≥ 0	≥ 0		
NBB10-F17...	flush	≤ 7	≥ 0	≤ 7	≥ 0	k. A.		
NBB5-F33...	flush	≤ 10	≥ 0	≤ 10	≥ 0	≥ 0		
NBB2-F76...	flush	≤ 5	≥ 0	≤ 5	≥ 0	≥ 15		

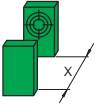
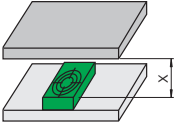
In individual cases deviations are possible due to exemplary dispersion

Date of issue 2023-08-02

Series -F9, -F10, -F11, continuation of page 1

							Type
A	Y	X	X	X	Y		
no effect	≥ 0	≥ 0	≥ 0	≥ 10	≥ 0	NBB5-F9...	
no effect	≥ 0	≥ 5	$\geq 5,5$	≥ 30	≥ 1	NBN10-F10...	
no effect	≥ 0	≥ 12	≥ 17	≥ 45	≥ 7	NBN15-F11...	

Series -F, -F41, -F29, -F79, -F17, -F33, -F76 continuation of page 1

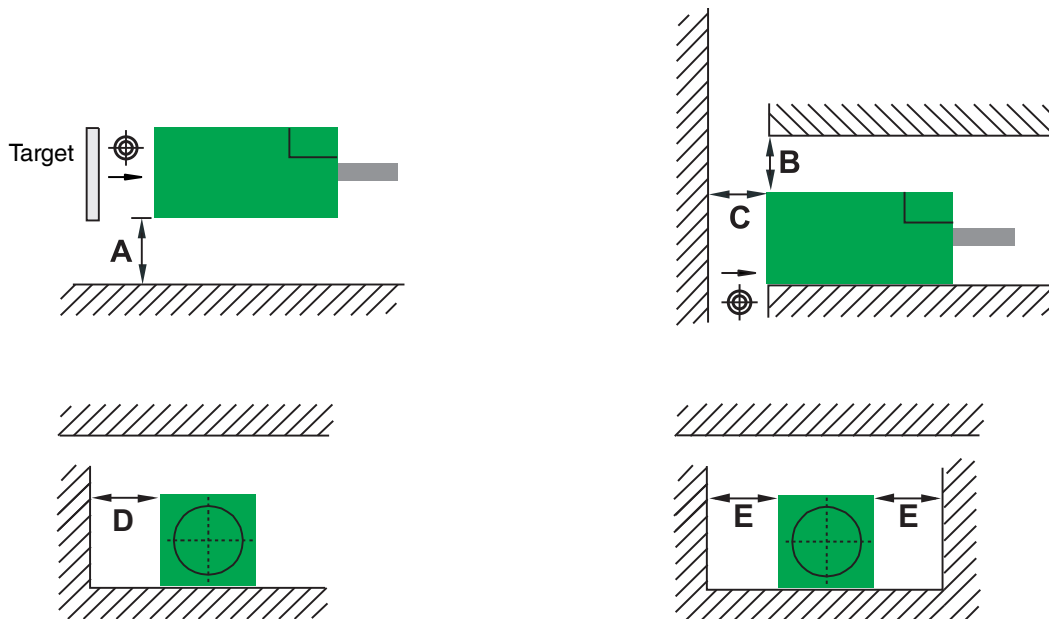
		Type
X	X	
≥ 63	≥ 18	NJ6-F...
≥ 13	≥ 5	NBB1,5-F41...
≥ 25	≥ 12	NBN4-F29...
≥ 11	≥ 5	NBB1,5-F79...
k. A.	≥ 30	NBB10-F17...
≥ 40	≥ 15	NBB5-F33...
≥ 20	≥ 6	NBB2-F76...

Screw-on proximity switches

Type	Installation	Distance [mm]						
		A	B	C	D	E	F	G
NJ2-F1-	flush	0	0	6	0	0	12	16
NBB2-V3-	flush	0	0	6	0	0	0	10
NJ4-F1	not flush	0	12	12	18	24	24	32
NBB5-F9-...	flush	0	0	15	0	0	16	20
NBN5-F7-...	not flush	0	0	15	0	0	17	20
NBN8-F7-...	not flush	0	0	24	0	0	30	32
NJ6-F-...	flush	0	0	18	0	0	22	25
NBB7-F10-...	flush	0	0	20	0	0	25	30
NBN10-F10-...	not flush	0	0	30	0	5	25	40
NCB10-F17-...	flush	7,5	0	30	0	0	40	40
NBN15-F11-...	not flush	0	0	45	0	10	30	60

Note:

Not flush installed proximity switches must not be surrounded by metal on all sides.



Mutual interference

To prevent the mutual interference between two similar sensors the minimum distances specified in these tables must be kept.

For applications where these distances cannot be maintained proximity switches with offset frequencies are available upon request. These can then be installed directly adjacent.

Please talk to our product specialist.

