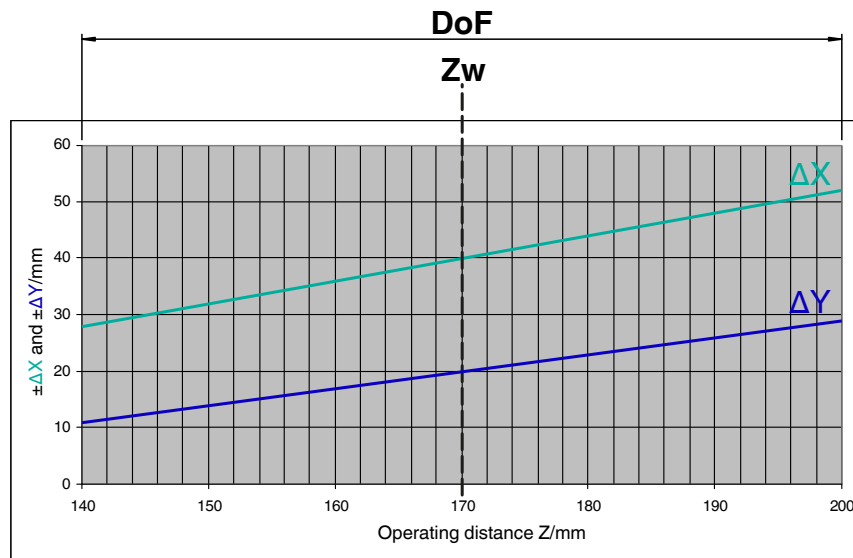


Displacement of read-only tag in X and Y direction

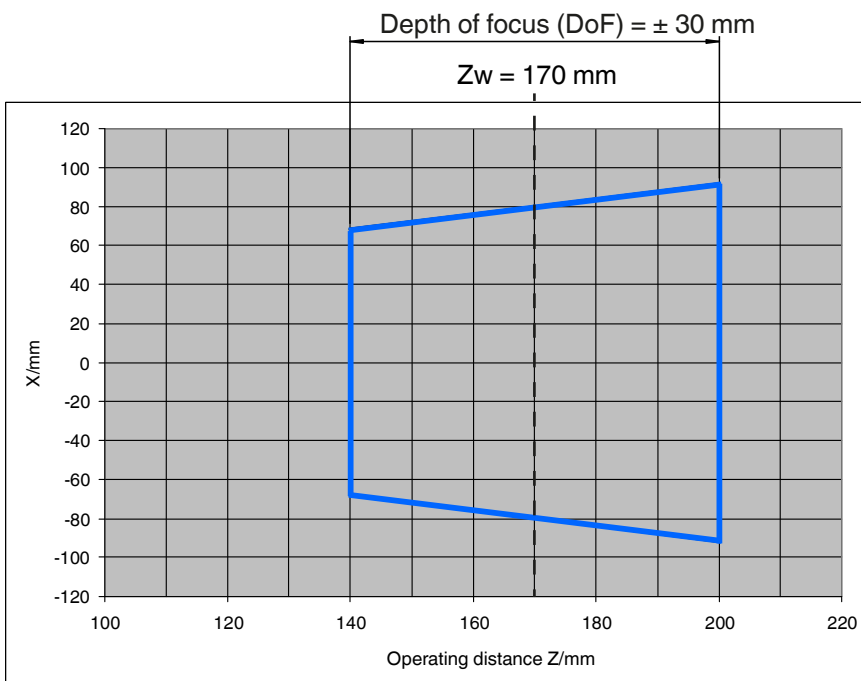
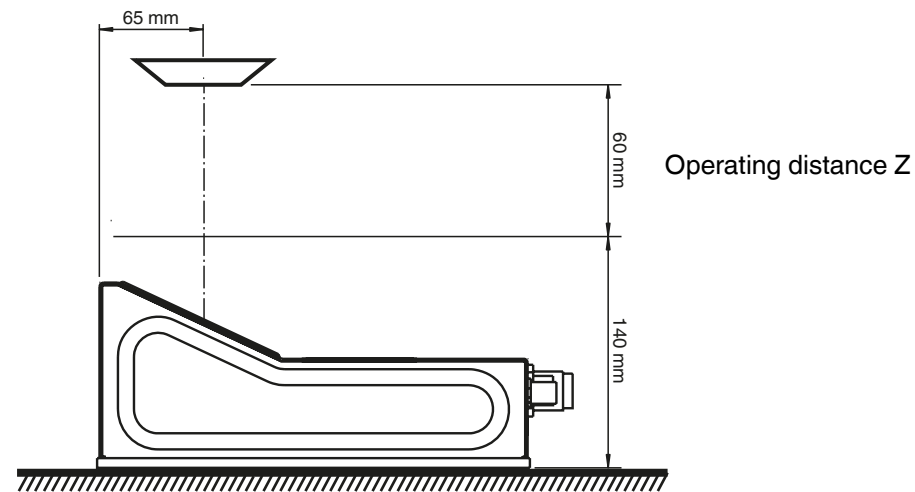
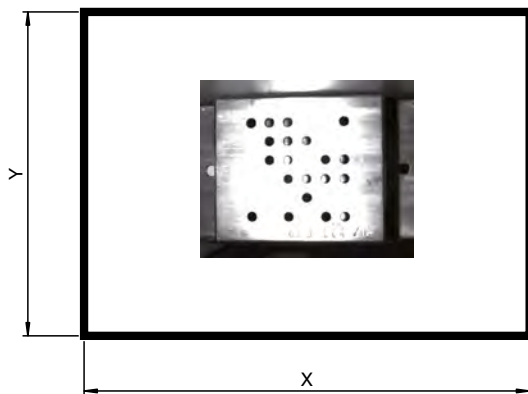


Permissible displacement of read-only tag ($\pm\Delta X$ and $\pm\Delta Y$) depending on reading distance Z

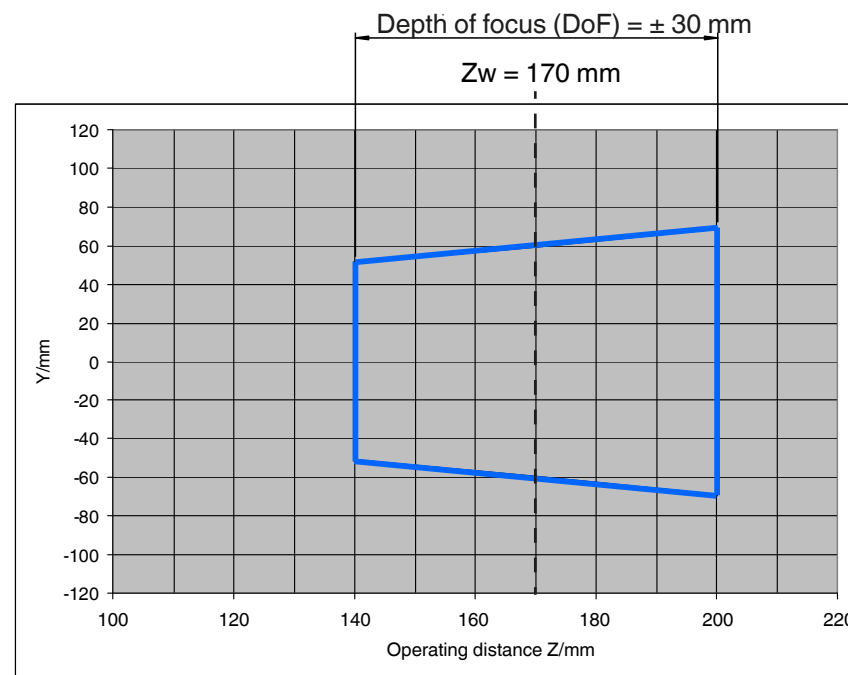
Default setting: **Zw = 170 mm**
 Depth of focus at Zw: **DoF = ± 30 mm**

The values ΔX and ΔY apply for read-only tags OIC-C10V2A-CB1 and OIC-C10ST-CB1

Reading window in X and Y direction



Reading window in X direction



Reading window in Y direction