

Instruction Manual

Pulscon

LTC50, LTC51, LTC57

4 mA ... 20 mA, HART

Control Drawing XP/DIP



**SI005290-D
116-0411**

Safety instructions for electrical apparatus for explosion-hazardous areas

SI005290-D/98/EN/16.14
116-0411
71266470

 **PEPPERL+FUCHS**



Pulscon **LTC50, LTC51, LTC57**

4 mA ... 20 mA, HART

Table of Contents

Associated documentation	4
Extended order code	4
Safety instructions: General	5
Safety instructions: Special conditions	5
Safety instructions: Installation	6
Explosionproof/Flameproof	7
Class I, Div. 2, Groups A-D	7
Process seals	7
Connection data	8
Temperature tables	11

Associated documentation

This document is an integral part of the following Operating Instructions:
BA01000O, BA01001O, BA01004O
The Operating Instructions pertaining to the device apply.

Extended order code

The extended order code is indicated on the nameplate, which is affixed to the device in such a way that it is clearly visible. Additional information about the nameplate is provided in the associated Operating Instructions.

Structure of the extended order code

Device type		Basic specifications		Optional specifications
LTC5X	-	X-XXXXX-XXXXX-XX XXXXX	+	XXXXXXXXXX

X = Placeholder

At this position, an option (number or letter) selected from the specification is displayed instead of the placeholders.

Basic specifications

The features that are absolutely essential for the device (mandatory features) are specified in the basic specifications. The number of positions depends on the number of features available. The selected option of a feature can consist of several positions.

Optional specifications

The optional specifications describe additional features for the device (optional features). The number of positions depends on the number of features available.

More detailed information about the device is provided in the following tables. These tables describe the individual positions and IDs in the extended order code which are relevant to hazardous locations.

Basic specifications

Selected option	Position	Description
Approval	LTC50-X-XXXXX-XXXXX- XX XXXXX CC	CSA C/US XP Cl.I Div.1 Gr.A-D
	LTC57-X-XXXXX-XXXXX- XX XXXXX CD	CSA C/US DIP Cl.II,III Div.1 Gr.E-G
	LTC5X-X-XXXXX-XXXXX- XX XXXXX C2	CSA C/US XP Cl.I,II,III Div.1 Gr.A-G, NI Cl.1 Div.2, Ex d
Electrical output	LTC5X-X-XXXXX-XX XX X-XX XXXXX	AH 4-wire, 90 ... 253 V AC, 4 ... 20 mA, HART
		DH 4-wire, 10.4 ... 48 V DC, 4 ... 20 mA, HART
		ID 2-wire, 4 ... 20 mA, HART, switching output
		IE 2-wire, 4 ... 20 mA, HART, 4 ... 20 mA
		IH 2-wire, 4 mA ... 20 mA, HART
Display, operation	LTC5X-X-XXXXX-XXXX X -XX XXXXX	B without display, via communication
		D SD02, 4-line, push-buttons and data backup function
		E SD03, 4-line, illuminated, touch control and data backup function
Housing	LTC5X-X-XXXXX- XX XXX-XX XXXXX A2	GT20 dual compartment, alu coated
	LTC51-X-XXXXX- XX XXX-XX XXXXX A3	GT18 dual compartment, 316L
	LTC57-X-XXXXX- XX XXX-XX XXXXX	
Seal	LTC50-X-XXXX X -XXXXX-XX XXXXX 2	Viton, -20 °C ... 80 °C
	LTC51-X-XXXX X -XXXXX-XX XXXXX	3 EPDM, -40 °C ... 120 °C
		4 Kalrez, -20 °C ... 200 °C
		5 Viton, -30 °C ... 150 °C
	LTC57-X-XXXX X -XXXXX-XX XXXXX 3	EPDM, -40 °C ... 120 °C
5 Viton, -30 °C ... 150 °C		

Optional specifications

Selected option	Position	Description
Probe design	XXXXXXXX XX B	Sensor remote, 3 m cable, detachable, with mounting bracket

Safety instructions:
General

- Staff must meet the following conditions for mounting, electrical installation, commissioning and maintenance of the device:
 - Be suitably qualified for their role and the tasks they perform
 - Be trained in explosion protection
 - Be familiar with national regulations
- Install the device according to the manufacturer's instructions and national regulations.
- Do not operate the device outside the specified electrical, thermal and mechanical parameters.
- Only use the device in media to which the wetted materials have sufficient durability.
- Avoid electrostatic charging:
 - Of plastic surfaces (e. g. housing, sensor element, special varnishing , attached additional plates, ...)
 - Of isolated capacities (e. g. isolated metallic plates)
- Refer to the temperature tables for the relationship between the permitted ambient temperature for the sensor and/or transmitter, depending on the range of application, and the temperature class.
- Modifications to the device can affect the explosion protection and must be carried out by staff authorized to perform such work by Pepperl+Fuchs.

Safety instructions:
Special conditions

Permitted ambient temperature range at the electronics housing: $-40\text{ °C} \leq T_{\text{amb}} \leq +80\text{ °C}$.

- Observe the information in the temperature tables.
- Use supply wires suitable for 20 K above the ambient temperature.

Electrostatic/impact sparks

- Warning: Avoid electrostatic charging of the plastic surfaces, for plastic process connections or plastic coatings.
- Warning: Install the device to exclude impact and friction sparks on the aluminum housing.

Device type LTC57

- The probes (rod and rope) with plastic coated surfaces can be electrostatically charged.

**Safety instructions:
Installation**

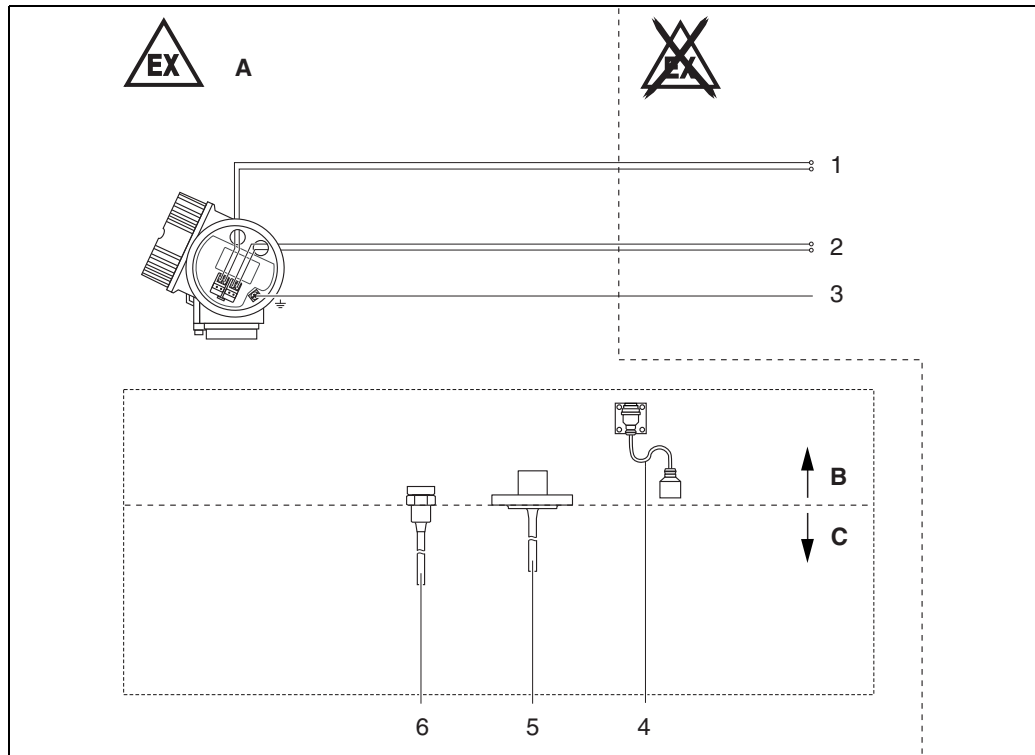


Figure 1

- A Class I, Div. 1, Groups A, B, C, D; Class II, Div. 1, Groups E, F, G; Class III
Housing: Class I, Zone 1
Probe: Class I, Zone 0
- B Zone 1
C Zone 0
- 1 Power supply circuit
2 Output PFS passive or
Output 4 mA ... 20 mA passive or
Output 4 mA ... 20 mA HART (4-wire)
3 Ground stud
4 Remote cable
5 Flanges acc. international standards DN40 ... DN200, resp. 1-1/2 in to 8 in
6 G/NPT3/4 in, G/NPT1-1/2 in

Option:
Interconnection with CSA certified service interface.

Note!

Transmitter provides intrinsically safe circuits for probes.

**Explosionproof/
Flameproof**

- Class I, Div. 1, Groups A, B, C, D; Class II, Div. 1, Groups E, F, G; Class III
Class I, Zone 1, AEx d [ia] IIC/Ex d [ia] IIC
- Install as per National Electrical Code (NFPA70) or Canadian Electrical Code, Part I (C22.1), as applicable.
 - For maximum supply voltage see "Connection data" section.
 - Control room equipment may not use or generate over 250 V_{rms}.
 - Seal unused entries with approved plugs that correspond to the type of protection. The plastic transport sealing plug does not meet this requirement and must therefore be replaced during installation.
 - Probe is intrinsically safe, AEx ia/Ex ia, and suitable for installation in Class I, II, III, Div. 1 or Class I, Zone 0/1.
 - Warning: Substitution of components may impair intrinsic safety.
- Factory sealed
- Explosionproof conduit seal not required for terminal compartment when installed in Division 1 locations.
- Terminal compartment:
- Warning: Do not open when explosive atmosphere is present.
- For Class II and III:
- Keep covers tight unless power has been switched off.
 - Use a dust-tight seal at the conduit entry in a Class II and III location.

Class I, Div. 2, Groups A-D

Only for device type LTC5X, basic specification, option "Approval" = C2
Device type LTC50, basic specification, option "Approval" = CC is not marked for use in Class I, Division 2; however, these devices are suitable for this application when installed using the explosionproof instructions for Class I, Division 1.

Standard Wiring installation (only for NPT conduit entries)

- Install per National Electrical Code (NFPA 70) or Canadian Electrical Code, Part I (C22.1), as applicable, using wiring methods appropriate for the location.
 - For the maximum supply voltage: see "Connection data" section.
 - Probe is intrinsically safe, AEx ia/Ex ia, and suitable for installation in Class I, II, III, Div. 1 or Class I, Zone 0/1.
 - Warning: Explosion hazard – Do not disconnect equipment unless power has been switched off or the area is known to be non-hazardous.
 - Warning: Substitution of components may impair suitability for Class I, Div. 2.
- Factory sealed
- Explosionproof conduit seal not required for terminal compartment.

Process seals

The following models are dual seal devices per ANSI/ISA 12.27.01 and do not require the use of an external secondary process seal:

Device type	Basic specification, option "Approval"	MWP *	Method of annunciation
LTC50, LTC57	CC, C2	6 bars	Process fluid leakage through vent located in electronics compartment.
LTC51	C2	40 bars	Electronic firmware is incorporated to detect and signal any significant increases or decreases of measurement signal reflection caused by combustible or flammable process fluid between the primary and secondary seal.

* MWP = Maximum Working Pressure for the dual seal rating to be effective and may be a value less than the MWP for the device.

Connection data

Basic specification, option "Approval" = CC, CD, C2
Connection compartment AEx d/Ex d

The power consumption of I/O modules with passive PFS output can be limited for certain applications.

- Recommended: Power consumption = 1 W.
This is obtained for a supply voltage at the terminals of 27 V DC.
- For higher supply voltages (U_{max}): Insert a serial resistance (R_V) in order to limit the power consumption, see table below.

Table for the PFS serial resistance (R_V)

Power consumption	1.0 W
Total power consumption	1.88 W
Internal resistance R_I	760 Ω

U_{max} [V]	R_V min
35	205 Ω
34	177 Ω
33	150 Ω
32	122 Ω
31	95 Ω
30	67 Ω
29	39 Ω
28	12 Ω
27	0 Ω

Note!

For values associated with a higher or lower internal power consumption please contact Pepperl+Fuchs.

Basic specification, option "Electrical output" = IH (TRC [03])

Terminal 1 (+), 2 (-)
Power supply: $U_N = 35 \text{ V DC}$ $U_m = 250 \text{ V}$ $I_{\max} = 22 \text{ mA}$

Basic specification, option "Electrical output" = ID (TRC [03])

Terminal 1 (+), 2 (-)	Terminal 3 (+), 4 (-)
Power supply: $U_N = 35 \text{ V DC}$ $U_m = 250 \text{ V}$ $I_{\max} = 22 \text{ mA}$	Switch output (PFS): $U_N = 35 \text{ V DC}$ $U_m = 250 \text{ V}$

Basic specification, option "Electrical output" = IE (TRC [05])

Terminal 1 (+), 2 (-)	Terminal 3 (+), 4 (-)
Power supply: $U_N = 30 \text{ V DC}$ $U_m = 250 \text{ V}$ $I_{\max} = 22 \text{ mA}$	Output 4 mA ...20 mA: $U_N = 30 \text{ V DC}$ $U_m = 250 \text{ V}$ $I_{\max} = 22 \text{ mA}$

Basic specification, option "Electrical output" = AH (TRC [09])

Terminal 1 (+), 2 (-)	Terminal 3 (+), 4 (-)
Power supply: $U_N = 253 \text{ V AC}; 50/60 \text{ Hz}$ $U_m = 250 \text{ V AC}$ $I_N = 25 \text{ mA}$ $I_{\max} = 160 \text{ mA}$	Output 4 mA ... 20 mA: $U_N = 22 \text{ V DC}$ $U_m = 250 \text{ V AC}$ $I_{\max} = 22 \text{ mA}$

Basic specification, option "Electrical output" = DH (TRC [08])

Terminal 1 (+), 2 (-)	Terminal 3 (+), 4 (-)
Power supply: $U_N = 48 \text{ V DC}$ $U_m = 250 \text{ V AC}$ $I_N = 112 \text{ mA}$ $I_{\max} = 300 \text{ mA}$	Output 4 mA ... 20 mA: $U_N = 22 \text{ V DC}$ $U_m = 250 \text{ V AC}$ $I_{\max} = 22 \text{ mA}$

Electronics compartment, intrinsically safe (AEx ia/Ex ia)

Service interface (CDI)

Taking the following values into consideration, the device can be connected to the certified service tool or a similar interface:

Service interface													
$U_i = 7.3 \text{ V}$ effective inner inductance $L_i = \text{negligible}$ effective inner capacitance $C_i = \text{negligible}$													
$U_o = 7.3 \text{ V}$ $I_o = 100 \text{ mA}$ $P_o = 160 \text{ mW}$													
$L_o \text{ (mH)} =$	5.00	2.00	1.00	0.50	0.20	0.10	0.05	0.02	0.01	0.005	0.002	0.001	
$C_o \text{ (}\mu\text{F)} =$	0.73	1.20	1.60	2.00	2.60	3.20	4.00	5.50	7.30	10.00	12.70	12.70	





Temperature tables

Table of contents

General notes	12
Diagram	12
Explosionproof/AEx d [ia]/Ex d [ia]	
Probe: Class I, Zone 0/Class I, Division 1	
Electronics housing: Class I, Zone 1/Class I, Division 1	
LTC50	13
LTC51	14
LTC57	16
LTC5X , optional specification, "Probe design" = B	18
Standard Division 2 wiring	
Probe: Class I, Zone 0/Class I, Division 1	
Electronics housing: Class I, Division 2	
LTC50	19
LTC51	20
LTC57	22
LTC5X , optional specification, "Probe design" = B	24
Probe and electronics housing: Class II, III, Division 1	
LTC5X	25

General notes

Unless otherwise indicated, the positions always refer to the basic specification.

Note!

Observe the permitted temperature range at the probe.

Selection table

Approval		Housing	
CC	CSA C/US XP Cl.I Div.1 Gr.A-D	A2	GT20 dual compartment, Alu coated
CD	CSA C/US DIP Cl.II,III Div.1 Gr.E-G	A3	GT18 double compartment, 316L
C2	CSA C/US XP Cl.I,II,III Div.1 Gr.A-G, NI Cl.1 Div.2, Ex d		

Elektrical output		Transmission code of the terminal module ¹	Channels
AH	4-wire, 90 ... 253 V AC, 4 ... 20 mA, HART	TRC [09]	–
DH	4-wire, 10.4 ... 48 V DC, 4 ... 20 mA, HART	TRC [08]	–
ID	2-wire, 4 ... 20 mA, HART, switching output (PFS)	TRC [03]	1 or 2 channels used
IE	2-wire, 4 ... 20 mA, HART, 4 ... 20 mA	TRC [05]	1 or 2 channels used
IH	2-wire, 4 mA ... 20 mA, HART	TRC [03]	–

¹ see nameplate

Diagram

Example diagrams to the temperature tables

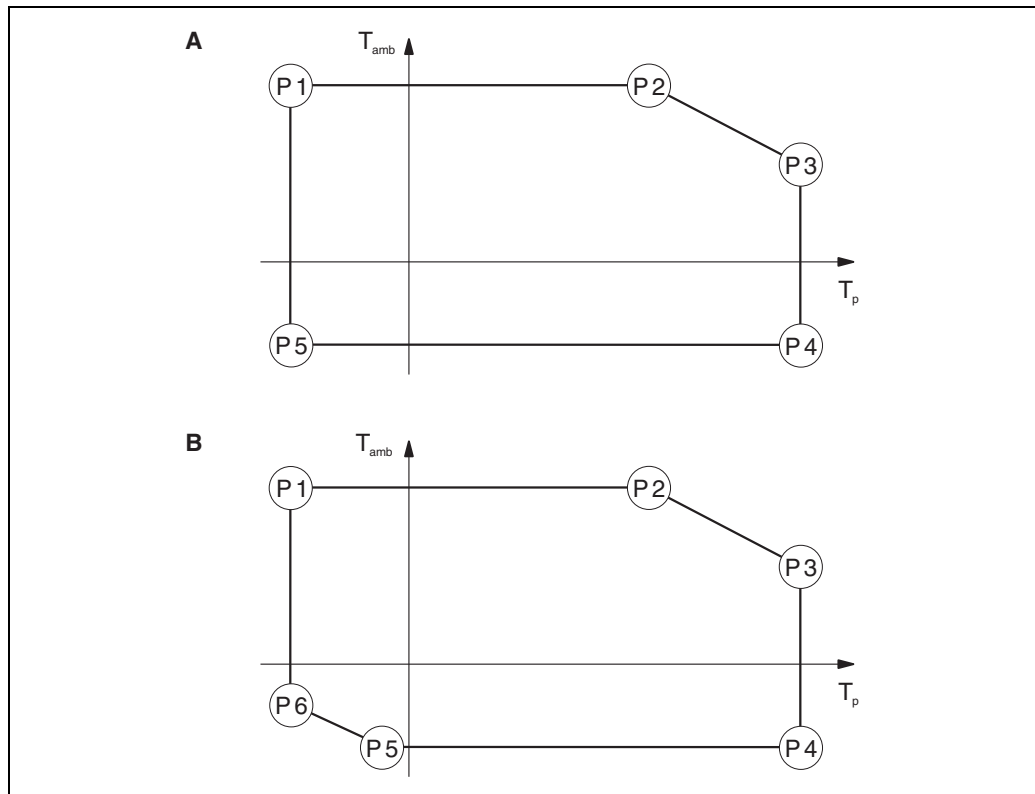


Figure 1

- A Version 1
- B Version 2

T_{amb} Ambient temperature
 T_p Process temperature

Explosionproof/AEx d [ia]/Ex d [ia]

Probe: Class I, Zone 0/Class I, Division 1

Electronics housing: Class I, Zone 1/Class I, Division 1

LTC50

Electrical output = IH, ID (TRC [03])

Housing = A2													
Electrical output	Temperature class	P 1		P 2		P 3		P 4		P 5		P 6	
		T _p	T _{amb}	T _p	T _{amb}	T _p	T _{amb}	T _p	T _{amb}	T _p	T _{amb}	T _p	T _{amb}
IH ID 1 channel used	T6 (85 °C)	-20 °C	60 °C	60 °C	60 °C	80 °C	56 °C	80 °C	-20 °C	-20 °C	-20 °C	-	-
ID 2 channels used	T6 (85 °C)	-20 °C	60 °C	60 °C	60 °C	80 °C	56 °C	80 °C	-20 °C	-20 °C	-20 °C	-	-

Electrical output = IE (TRC [05])

Housing = A2													
Electrical output	Temperature class	P 1		P 2		P 3		P 4		P 5		P 6	
		T _p	T _{amb}	T _p	T _{amb}	T _p	T _{amb}	T _p	T _{amb}	T _p	T _{amb}	T _p	T _{amb}
IE 1 channel used	T6 (85 °C)	-20 °C	60 °C	60 °C	60 °C	80 °C	56 °C	80 °C	-20 °C	-20 °C	-20 °C	-	-
IE 2 channels used	T6 (85 °C)	-20 °C	60 °C	60 °C	60 °C	80 °C	56 °C	80 °C	-20 °C	-20 °C	-20 °C	-	-

Electrical output = AH, DH (TRC [09/08])

Housing = A2													
Electrical output	Temperature class	P 1		P 2		P 3		P 4		P 5		P 6	
		T _p	T _{amb}	T _p	T _{amb}	T _p	T _{amb}	T _p	T _{amb}	T _p	T _{amb}	T _p	T _{amb}
AH, DH	T6 (85 °C)	-20 °C	60 °C	60 °C	60 °C	80 °C	55 °C	80 °C	-20 °C	-20 °C	-20 °C	-	-

Explosionproof/AEx d [ia]/Ex d [ia]

Probe: Class I, Zone 0/Class I, Division 1

Electronics housing: Class I, Zone 1/Class I, Division 1

LTC51

Electrical output = IH, ID (TRC [03])

Housing = A2													
Electrical output	Temperature class	P 1		P 2		P 3		P 4		P 5		P 6	
		T _p	T _{amb}	T _p	T _{amb}	T _p	T _{amb}	T _p	T _{amb}	T _p	T _{amb}	T _p	T _{amb}
IH ID 1 channel used	T6 (85 °C)	-40 °C	60 °C	60 °C	60 °C	85 °C	54 °C	85 °C	-40 °C	-40 °C	-40 °C	-	-
	T5 (100 °C)	-40 °C	75 °C	75 °C	75 °C	100 °C	69 °C	100 °C	-40 °C	-40 °C	-40 °C	-	-
	T4 (135 °C)	-40 °C	80 °C	80 °C	80 °C	135 °C	69 °C	135 °C	-40 °C	-40 °C	-40 °C	-	-
	T3 (200 °C)	-40 °C	80 °C	80 °C	80 °C	200 °C	56 °C	200 °C	-40 °C	-40 °C	-40 °C	-	-
ID 2 channels used	T6 (85 °C)	-40 °C	60 °C	60 °C	60 °C	85 °C	54 °C	85 °C	-40 °C	-40 °C	-40 °C	-	-
	T5 (100 °C)	-40 °C	75 °C	75 °C	75 °C	100 °C	69 °C	100 °C	-40 °C	-40 °C	-40 °C	-	-
	T4 (135 °C)	-40 °C	75 °C	75 °C	75 °C	135 °C	63 °C	135 °C	-40 °C	-40 °C	-40 °C	-	-
	T3 (200 °C)	-40 °C	75 °C	75 °C	75 °C	200 °C	50 °C	200 °C	-40 °C	-40 °C	-40 °C	-	-

Housing = A3													
Electrical output	Temperature class	P 1		P 2		P 3		P 4		P 5		P 6	
		T _p	T _{amb}	T _p	T _{amb}	T _p	T _{amb}	T _p	T _{amb}	T _p	T _{amb}	T _p	T _{amb}
IH ID 1 channel used	T6 (85 °C)	-40 °C	60 °C	60 °C	60 °C	85 °C	52 °C	85 °C	-40 °C	-40 °C	-40 °C	-	-
	T5 (100 °C)	-40 °C	75 °C	75 °C	75 °C	100 °C	67 °C	100 °C	-40 °C	-40 °C	-40 °C	-	-
	T4 (135 °C)	-40 °C	80 °C	80 °C	80 °C	135 °C	67 °C	135 °C	-40 °C	-40 °C	-40 °C	-	-
	T3 (200 °C)	-40 °C	80 °C	80 °C	80 °C	200 °C	49 °C	200 °C	-40 °C	-40 °C	-40 °C	-	-
ID 2 channels used	T6 (85 °C)	-40 °C	60 °C	60 °C	60 °C	85 °C	52 °C	85 °C	-40 °C	-40 °C	-40 °C	-	-
	T5 (100 °C)	-40 °C	75 °C	75 °C	75 °C	100 °C	67 °C	100 °C	-40 °C	-40 °C	-40 °C	-	-
	T4 (135 °C)	-40 °C	75 °C	75 °C	75 °C	135 °C	60 °C	135 °C	-40 °C	-40 °C	-40 °C	-	-
	T3 (200 °C)	-40 °C	75 °C	75 °C	75 °C	200 °C	45 °C	200 °C	-40 °C	-40 °C	-40 °C	-	-

Electrical output = IE (TRC [05])

Housing = A2													
Electrical output	Temperature class	P 1		P 2		P 3		P 4		P 5		P 6	
		T _p	T _{amb}	T _p	T _{amb}	T _p	T _{amb}	T _p	T _{amb}	T _p	T _{amb}	T _p	T _{amb}
IE 1 channel used	T6 (85 °C)	-40 °C	60 °C	60 °C	60 °C	85 °C	53 °C	85 °C	-40 °C	-40 °C	-40 °C	-	-
	T5 (100 °C)	-40 °C	75 °C	75 °C	75 °C	100 °C	68 °C	100 °C	-40 °C	-40 °C	-40 °C	-	-
	T4 (135 °C)	-40 °C	80 °C	80 °C	80 °C	135 °C	70 °C	135 °C	-40 °C	-40 °C	-40 °C	-	-
	T3 (200 °C)	-40 °C	80 °C	80 °C	80 °C	200 °C	56 °C	200 °C	-40 °C	-40 °C	-40 °C	-	-
IE 2 channels used	T6 (85 °C)	-40 °C	60 °C	60 °C	60 °C	85 °C	53 °C	85 °C	-40 °C	-40 °C	-40 °C	-	-
	T5 (100 °C)	-40 °C	75 °C	75 °C	75 °C	100 °C	68 °C	100 °C	-40 °C	-40 °C	-40 °C	-	-
	T4 (135 °C)	-40 °C	78 °C	78 °C	78 °C	135 °C	66 °C	135 °C	-40 °C	-40 °C	-40 °C	-	-
	T3 (200 °C)	-40 °C	78 °C	78 °C	78 °C	200 °C	53 °C	200 °C	-40 °C	-40 °C	-40 °C	-	-

Housing = A3													
Electrical output	Temperature class	P 1		P 2		P 3		P 4		P 5		P 6	
		T _p	T _{amb}	T _p	T _{amb}	T _p	T _{amb}	T _p	T _{amb}	T _p	T _{amb}	T _p	T _{amb}
IE 1 channel used	T6 (85 °C)	-40 °C	60 °C	60 °C	60 °C	85 °C	51 °C	85 °C	-40 °C	-40 °C	-40 °C	-	-
	T5 (100 °C)	-40 °C	75 °C	75 °C	75 °C	100 °C	66 °C	100 °C	-40 °C	-40 °C	-40 °C	-	-
	T4 (135 °C)	-40 °C	80 °C	80 °C	80 °C	135 °C	68 °C	135 °C	-40 °C	-40 °C	-40 °C	-	-
	T3 (200 °C)	-40 °C	80 °C	80 °C	80 °C	200 °C	48 °C	200 °C	-40 °C	-40 °C	-40 °C	-	-
IE 2 channels used	T6 (85 °C)	-40 °C	60 °C	60 °C	60 °C	85 °C	51 °C	85 °C	-40 °C	-40 °C	-40 °C	-	-
	T5 (100 °C)	-40 °C	75 °C	75 °C	75 °C	100 °C	66 °C	100 °C	-40 °C	-40 °C	-40 °C	-	-
	T4 (135 °C)	-40 °C	78 °C	78 °C	78 °C	135 °C	64 °C	135 °C	-40 °C	-40 °C	-40 °C	-	-
	T3 (200 °C)	-40 °C	78 °C	78 °C	78 °C	200 °C	48 °C	200 °C	-40 °C	-40 °C	-40 °C	-	-

Electrical output = AH, DH (TRC [09/08])

Housing = A2													
Electrical output	Temperature class	P 1		P 2		P 3		P 4		P 5		P 6	
		T _p	T _{amb}	T _p	T _{amb}	T _p	T _{amb}	T _p	T _{amb}	T _p	T _{amb}	T _p	T _{amb}
AH, DH	T6 (85 °C)	-40 °C	60 °C	60 °C	60 °C	85 °C	53 °C	85 °C	-40 °C	-40 °C	-40 °C	-	-
	T5 (100 °C)	-40 °C	75 °C	75 °C	75 °C	100 °C	68 °C	100 °C	-40 °C	-40 °C	-40 °C	-	-
	T4 (135 °C)	-40 °C	76 °C	76 °C	76 °C	135 °C	64 °C	135 °C	-40 °C	-40 °C	-40 °C	-	-
	T3 (200 °C)	-40 °C	76 °C	76 °C	76 °C	200 °C	51 °C	200 °C	-40 °C	-40 °C	-40 °C	-	-

Housing = A3													
Electrical output	Temperature class	P 1		P 2		P 3		P 4		P 5		P 6	
		T _p	T _{amb}	T _p	T _{amb}	T _p	T _{amb}	T _p	T _{amb}	T _p	T _{amb}	T _p	T _{amb}
AH, DH	T6 (85 °C)	-40 °C	60 °C	60 °C	60 °C	85 °C	51 °C	85 °C	-40 °C	-40 °C	-40 °C	-	-
	T5 (100 °C)	-40 °C	75 °C	75 °C	75 °C	100 °C	66 °C	100 °C	-40 °C	-40 °C	-40 °C	-	-
	T4 (135 °C)	-40 °C	76 °C	76 °C	76 °C	135 °C	62 °C	135 °C	-40 °C	-40 °C	-40 °C	-	-
	T3 (200 °C)	-40 °C	76 °C	76 °C	76 °C	200 °C	46 °C	200 °C	-40 °C	-40 °C	-40 °C	-	-

Explosionproof/AEx d [ia]/Ex d [ia]

Probe: Class I, Zone 0/Class I, Division 1

Electronics housing: Class I, Zone 1/Class I, Division 1

LTC57

Electrical output = IH, ID (TRC [03])

Housing = A2													
Electrical output	Temperature class	P 1		P 2		P 3		P 4		P 5		P 6	
		T _p	T _{amb}	T _p	T _{amb}	T _p	T _{amb}	T _p	T _{amb}	T _p	T _{amb}	T _p	T _{amb}
IH ID 1 channel used	T6 (85 °C)	-40 °C	60 °C	60 °C	60 °C	85 °C	55 °C	85 °C	-40 °C	-40 °C	-40 °C	-	-
	T5 (100 °C)	-40 °C	75 °C	75 °C	75 °C	100 °C	70 °C	100 °C	-40 °C	-40 °C	-40 °C	-	-
	T4 (135 °C)	-40 °C	80 °C	80 °C	80 °C	135 °C	71 °C	135 °C	-40 °C	-40 °C	-40 °C	-	-
	T3 (200 °C)	-40 °C	80 °C	80 °C	80 °C	185 °C	63 °C	185 °C	-40 °C	-40 °C	-40 °C	-	-
ID 2 channels used	T6 (85 °C)	-40 °C	60 °C	60 °C	60 °C	85 °C	55 °C	85 °C	-40 °C	-40 °C	-40 °C	-	-
	T5 (100 °C)	-40 °C	75 °C	75 °C	75 °C	100 °C	70 °C	100 °C	-40 °C	-40 °C	-40 °C	-	-
	T4 (135 °C)	-40 °C	75 °C	75 °C	75 °C	135 °C	65 °C	135 °C	-40 °C	-40 °C	-40 °C	-	-
	T3 (200 °C)	-40 °C	75 °C	75 °C	75 °C	185 °C	57 °C	185 °C	-40 °C	-40 °C	-40 °C	-	-

Housing = A3													
Electrical output	Temperature class	P 1		P 2		P 3		P 4		P 5		P 6	
		T _p	T _{amb}	T _p	T _{amb}	T _p	T _{amb}	T _p	T _{amb}	T _p	T _{amb}	T _p	T _{amb}
IH ID 1 channel used	T6 (85 °C)	-40 °C	60 °C	60 °C	60 °C	85 °C	53 °C	85 °C	-40 °C	-40 °C	-40 °C	-	-
	T5 (100 °C)	-40 °C	75 °C	75 °C	75 °C	100 °C	68 °C	100 °C	-40 °C	-40 °C	-40 °C	-	-
	T4 (135 °C)	-40 °C	80 °C	80 °C	80 °C	135 °C	69 °C	135 °C	-40 °C	-40 °C	-40 °C	-	-
	T3 (200 °C)	-40 °C	80 °C	80 °C	80 °C	185 °C	59 °C	185 °C	-40 °C	-40 °C	-40 °C	-	-
ID 2 channels used	T6 (85 °C)	-40 °C	60 °C	60 °C	60 °C	85 °C	53 °C	85 °C	-40 °C	-40 °C	-40 °C	-	-
	T5 (100 °C)	-40 °C	75 °C	75 °C	75 °C	100 °C	68 °C	100 °C	-40 °C	-40 °C	-40 °C	-	-
	T4 (135 °C)	-40 °C	75 °C	75 °C	75 °C	135 °C	63 °C	135 °C	-40 °C	-40 °C	-40 °C	-	-
	T3 (200 °C)	-40 °C	75 °C	75 °C	75 °C	185 °C	53 °C	185 °C	-40 °C	-40 °C	-40 °C	-	-

Electrical output = IE (TRC [05])

Housing = A2													
Electrical output	Temperature class	P 1		P 2		P 3		P 4		P 5		P 6	
		T _p	T _{amb}	T _p	T _{amb}	T _p	T _{amb}	T _p	T _{amb}	T _p	T _{amb}	T _p	T _{amb}
IE 1 channel used	T6 (85 °C)	-40 °C	60 °C	60 °C	60 °C	85 °C	55 °C	85 °C	-40 °C	-40 °C	-40 °C	-	-
	T5 (100 °C)	-40 °C	75 °C	75 °C	75 °C	100 °C	70 °C	100 °C	-40 °C	-40 °C	-40 °C	-	-
	T4 (135 °C)	-40 °C	80 °C	80 °C	80 °C	135 °C	72 °C	135 °C	-40 °C	-40 °C	-40 °C	-	-
	T3 (200 °C)	-40 °C	80 °C	80 °C	80 °C	185 °C	65 °C	185 °C	-40 °C	-40 °C	-40 °C	-	-
IE 2 channels used	T6 (85 °C)	-40 °C	60 °C	60 °C	60 °C	85 °C	55 °C	85 °C	-40 °C	-40 °C	-40 °C	-	-
	T5 (100 °C)	-40 °C	75 °C	75 °C	75 °C	100 °C	70 °C	100 °C	-40 °C	-40 °C	-40 °C	-	-
	T4 (135 °C)	-40 °C	78 °C	78 °C	78 °C	135 °C	68 °C	135 °C	-40 °C	-40 °C	-40 °C	-	-
	T3 (200 °C)	-40 °C	78 °C	78 °C	78 °C	185 °C	61 °C	185 °C	-40 °C	-40 °C	-40 °C	-	-

Housing = A3													
Electrical output	Temperature class	P 1		P 2		P 3		P 4		P 5		P 6	
		T _p	T _{amb}	T _p	T _{amb}	T _p	T _{amb}	T _p	T _{amb}	T _p	T _{amb}	T _p	T _{amb}
IE 1 channel used	T6 (85 °C)	-40 °C	60 °C	60 °C	60 °C	85 °C	53 °C	85 °C	-40 °C	-40 °C	-40 °C	-	-
	T5 (100 °C)	-40 °C	75 °C	75 °C	75 °C	100 °C	68 °C	100 °C	-40 °C	-40 °C	-40 °C	-	-
	T4 (135 °C)	-40 °C	80 °C	80 °C	80 °C	135 °C	71 °C	135 °C	-40 °C	-40 °C	-40 °C	-	-
	T3 (200 °C)	-40 °C	80 °C	80 °C	80 °C	185 °C	60 °C	185 °C	-40 °C	-40 °C	-40 °C	-	-
IE 2 channels used	T6 (85 °C)	-40 °C	60 °C	60 °C	60 °C	85 °C	53 °C	85 °C	-40 °C	-40 °C	-40 °C	-	-
	T5 (100 °C)	-40 °C	75 °C	75 °C	75 °C	100 °C	68 °C	100 °C	-40 °C	-40 °C	-40 °C	-	-
	T4 (135 °C)	-40 °C	78 °C	78 °C	78 °C	135 °C	66 °C	135 °C	-40 °C	-40 °C	-40 °C	-	-
	T3 (200 °C)	-40 °C	78 °C	78 °C	78 °C	185 °C	57 °C	185 °C	-40 °C	-40 °C	-40 °C	-	-

Electrical output = AH, DH (TRC [09/08])

Housing = A2													
Electrical output	Temperature class	P 1		P 2		P 3		P 4		P 5		P 6	
		T _p	T _{amb}	T _p	T _{amb}	T _p	T _{amb}	T _p	T _{amb}	T _p	T _{amb}	T _p	T _{amb}
AH, DH	T6 (85 °C)	-40 °C	60 °C	60 °C	60 °C	85 °C	55 °C	85 °C	-40 °C	-40 °C	-40 °C	-	-
	T5 (100 °C)	-40 °C	75 °C	75 °C	75 °C	100 °C	70 °C	100 °C	-40 °C	-40 °C	-40 °C	-	-
	T4 (135 °C)	-40 °C	76 °C	76 °C	76 °C	135 °C	66 °C	135 °C	-40 °C	-40 °C	-40 °C	-	-
	T3 (200 °C)	-40 °C	76 °C	76 °C	76 °C	185 °C	59 °C	185 °C	-40 °C	-40 °C	-40 °C	-	-

Housing = A3													
Electrical output	Temperature class	P 1		P 2		P 3		P 4		P 5		P 6	
		T _p	T _{amb}	T _p	T _{amb}	T _p	T _{amb}	T _p	T _{amb}	T _p	T _{amb}	T _p	T _{amb}
AH, DH	T6 (85 °C)	-40 °C	60 °C	60 °C	60 °C	85 °C	53 °C	85 °C	-40 °C	-40 °C	-40 °C	-	-
	T5 (100 °C)	-40 °C	75 °C	75 °C	75 °C	100 °C	68 °C	100 °C	-40 °C	-40 °C	-40 °C	-	-
	T4 (135 °C)	-40 °C	76 °C	76 °C	76 °C	135 °C	64 °C	135 °C	-40 °C	-40 °C	-40 °C	-	-
	T3 (200 °C)	-40 °C	76 °C	76 °C	76 °C	185 °C	55 °C	185 °C	-40 °C	-40 °C	-40 °C	-	-

Explosionproof/AEx d [ia]/Ex d [ia]

Probe: Class I, Zone 0/Class I, Division 1

Electronics housing: Class I, Zone 1/Class I, Division 1

LTC5X

optional specification, option "Probe design" = B

Electrical output = IH, ID (TRC [03])

Housing = A2, A3													
Electrical output	Temperature class	P 1		P 2		P 3		P 4		P 5		P 6	
		T _p	T _{amb}	T _p	T _{amb}	T _p	T _{amb}	T _p	T _{amb}	T _p	T _{amb}	T _p	T _{amb}
IH ID 1 channel used	T6 (85 °C)	-	60 °C	-	60 °C	-	60 °C	-	-40 °C	-	-40 °C	-	-
ID 2 channels used	T6 (85 °C)	-	60 °C	-	60 °C	-	60 °C	-	-40 °C	-	-40 °C	-	-

Electrical output = IE (TRC [05])

Housing = A2, A3													
Electrical output	Temperature class	P 1		P 2		P 3		P 4		P 5		P 6	
		T _p	T _{amb}	T _p	T _{amb}	T _p	T _{amb}	T _p	T _{amb}	T _p	T _{amb}	T _p	T _{amb}
IE 1 channel used	T6 (85 °C)	-	60 °C	-	60 °C	-	60 °C	-	-40 °C	-	-40 °C	-	-
IE 2 channels used	T6 (85 °C)	-	60 °C	-	60 °C	-	60 °C	-	-40 °C	-	-40 °C	-	-

Electrical output = AH, DH (TRC [09/08])

Housing = A2, A3													
Electrical output	Temperature class	P 1		P 2		P 3		P 4		P 5		P 6	
		T _p	T _{amb}	T _p	T _{amb}	T _p	T _{amb}	T _p	T _{amb}	T _p	T _{amb}	T _p	T _{amb}
AH, DH	T6 (85 °C)	-	60 °C	-	60 °C	-	60 °C	-	-40 °C	-	-40 °C	-	-

T_p = dependent on the sensor

Standard Division 2 Wiring

Probe: Class I, Zone 0/Class I, Division 1
Electronics housing: Class I, Division 2

LTC50

Electrical output = IH, ID (TRC [03])

Housing = A2													
Electrical output	Temperature class	P 1		P 2		P 3		P 4		P 5		P 6	
		T _p	T _{amb}	T _p	T _{amb}	T _p	T _{amb}	T _p	T _{amb}	T _p	T _{amb}	T _p	T _{amb}
IH ID 1 channel used	T6 (85 °C)	-20 °C	60 °C	60 °C	60 °C	80 °C	56 °C	80 °C	-20 °C	-20 °C	-20 °C	-	-
ID 2 channels used	T6 (85 °C)	-20 °C	51 °C	51 °C	51 °C	80 °C	49 °C	80 °C	-20 °C	-20 °C	-20 °C	-	-

Electrical output = IE (TRC [05])

Housing = A2													
Electrical output	Temperature class	P 1		P 2		P 3		P 4		P 5		P 6	
		T _p	T _{amb}	T _p	T _{amb}	T _p	T _{amb}	T _p	T _{amb}	T _p	T _{amb}	T _p	T _{amb}
IE 1 channel used	T6 (85 °C)	-20 °C	60 °C	60 °C	60 °C	80 °C	56 °C	80 °C	-20 °C	-20 °C	-20 °C	-	-
IE 2 channels used	T6 (85 °C)	-20 °C	60 °C	60 °C	60 °C	80 °C	56 °C	80 °C	-20 °C	-20 °C	-20 °C	-	-

Electrical output = AH, DH (TRC [09/08])

Housing = A2													
Electrical output	Temperature class	P 1		P 2		P 3		P 4		P 5		P 6	
		T _p	T _{amb}	T _p	T _{amb}	T _p	T _{amb}	T _p	T _{amb}	T _p	T _{amb}	T _p	T _{amb}
AH, DH	T6 (85 °C)	-20 °C	60 °C	60 °C	60 °C	80 °C	55 °C	80 °C	-20 °C	-20 °C	-20 °C	-	-

Standard Division 2 Wiring

Probe: Class I, Zone 0/Class I, Division 1
Electronics housing: Class I, Division 2

LTC51

Electrical output = IH, ID (TRC [03])

Housing = A2													
Electrical output	Temperature class	P 1		P 2		P 3		P 4		P 5		P 6	
		T _p	T _{amb}	T _p	T _{amb}	T _p	T _{amb}	T _p	T _{amb}	T _p	T _{amb}	T _p	T _{amb}
IH ID 1 channel used	T6 (85 °C)	-40 °C	60 °C	60 °C	60 °C	85 °C	54 °C	85 °C	-40 °C	-40 °C	-40 °C	-	-
	T5 (100 °C)	-40 °C	75 °C	75 °C	75 °C	100 °C	69 °C	100 °C	-40 °C	-40 °C	-40 °C	-	-
	T4 (135 °C)	-40 °C	80 °C	80 °C	80 °C	135 °C	69 °C	135 °C	-40 °C	-40 °C	-40 °C	-	-
	T3 (200 °C)	-40 °C	80 °C	80 °C	80 °C	200 °C	56 °C	200 °C	-40 °C	-40 °C	-40 °C	-	-
ID 2 channels used	T6 (85 °C)	-40 °C	51 °C	51 °C	51 °C	85 °C	44 °C	85 °C	-40 °C	-40 °C	-40 °C	-	-
	T5 (100 °C)	-40 °C	66 °C	66 °C	66 °C	100 °C	59 °C	100 °C	-40 °C	-40 °C	-40 °C	-	-
	T4 (135 °C)	-40 °C	75 °C	75 °C	75 °C	135 °C	63 °C	135 °C	-40 °C	-40 °C	-40 °C	-	-
	T3 (200 °C)	-40 °C	75 °C	75 °C	75 °C	200 °C	50 °C	200 °C	-40 °C	-40 °C	-40 °C	-	-

Housing = A3													
Electrical output	Temperature class	P 1		P 2		P 3		P 4		P 5		P 6	
		T _p	T _{amb}	T _p	T _{amb}	T _p	T _{amb}	T _p	T _{amb}	T _p	T _{amb}	T _p	T _{amb}
IH ID 1 channel used	T6 (85 °C)	-40 °C	60 °C	60 °C	60 °C	85 °C	52 °C	85 °C	-40 °C	-40 °C	-40 °C	-	-
	T5 (100 °C)	-40 °C	75 °C	75 °C	75 °C	100 °C	67 °C	100 °C	-40 °C	-40 °C	-40 °C	-	-
	T4 (135 °C)	-40 °C	80 °C	80 °C	80 °C	135 °C	67 °C	135 °C	-40 °C	-40 °C	-40 °C	-	-
	T3 (200 °C)	-40 °C	80 °C	80 °C	80 °C	200 °C	49 °C	200 °C	-40 °C	-40 °C	-40 °C	-	-
ID 2 channels used	T6 (85 °C)	-40 °C	51 °C	51 °C	51 °C	85 °C	43 °C	85 °C	-40 °C	-40 °C	-40 °C	-	-
	T5 (100 °C)	-40 °C	66 °C	66 °C	66 °C	100 °C	58 °C	100 °C	-40 °C	-40 °C	-40 °C	-	-
	T4 (135 °C)	-40 °C	75 °C	75 °C	75 °C	135 °C	60 °C	135 °C	-40 °C	-40 °C	-40 °C	-	-
	T3 (200 °C)	-40 °C	75 °C	75 °C	75 °C	200 °C	45 °C	200 °C	-40 °C	-40 °C	-40 °C	-	-

Electrical output = IE (TRC [05])

Housing = A2													
Electrical output	Temperature class	P 1		P 2		P 3		P 4		P 5		P 6	
		T _p	T _{amb}	T _p	T _{amb}	T _p	T _{amb}	T _p	T _{amb}	T _p	T _{amb}	T _p	T _{amb}
IE 1 channel used	T6 (85 °C)	-40 °C	60 °C	60 °C	60 °C	85 °C	53 °C	85 °C	-40 °C	-40 °C	-40 °C	-	-
	T5 (100 °C)	-40 °C	75 °C	75 °C	75 °C	100 °C	68 °C	100 °C	-40 °C	-40 °C	-40 °C	-	-
	T4 (135 °C)	-40 °C	80 °C	80 °C	80 °C	135 °C	70 °C	135 °C	-40 °C	-40 °C	-40 °C	-	-
	T3 (200 °C)	-40 °C	80 °C	80 °C	80 °C	200 °C	56 °C	200 °C	-40 °C	-40 °C	-40 °C	-	-
IE 2 channels used	T6 (85 °C)	-40 °C	60 °C	60 °C	60 °C	85 °C	53 °C	85 °C	-40 °C	-40 °C	-40 °C	-	-
	T5 (100 °C)	-40 °C	75 °C	75 °C	75 °C	100 °C	68 °C	100 °C	-40 °C	-40 °C	-40 °C	-	-
	T4 (135 °C)	-40 °C	78 °C	78 °C	78 °C	135 °C	66 °C	135 °C	-40 °C	-40 °C	-40 °C	-	-
	T3 (200 °C)	-40 °C	78 °C	78 °C	78 °C	200 °C	53 °C	200 °C	-40 °C	-40 °C	-40 °C	-	-

Housing = A3													
Electrical output	Temperature class	P 1		P 2		P 3		P 4		P 5		P 6	
		T _p	T _{amb}	T _p	T _{amb}	T _p	T _{amb}	T _p	T _{amb}	T _p	T _{amb}	T _p	T _{amb}
IE 1 channel used	T6 (85 °C)	-40 °C	60 °C	60 °C	60 °C	85 °C	51 °C	85 °C	-40 °C	-40 °C	-40 °C	-	-
	T5 (100 °C)	-40 °C	75 °C	75 °C	75 °C	100 °C	66 °C	100 °C	-40 °C	-40 °C	-40 °C	-	-
	T4 (135 °C)	-40 °C	80 °C	80 °C	80 °C	135 °C	68 °C	135 °C	-40 °C	-40 °C	-40 °C	-	-
	T3 (200 °C)	-40 °C	80 °C	80 °C	80 °C	200 °C	48 °C	200 °C	-40 °C	-40 °C	-40 °C	-	-
IE 2 channels used	T6 (85 °C)	-40 °C	60 °C	60 °C	60 °C	85 °C	51 °C	85 °C	-40 °C	-40 °C	-40 °C	-	-
	T5 (100 °C)	-40 °C	75 °C	75 °C	75 °C	100 °C	66 °C	100 °C	-40 °C	-40 °C	-40 °C	-	-
	T4 (135 °C)	-40 °C	78 °C	78 °C	78 °C	135 °C	64 °C	135 °C	-40 °C	-40 °C	-40 °C	-	-
	T3 (200 °C)	-40 °C	78 °C	78 °C	78 °C	200 °C	48 °C	200 °C	-40 °C	-40 °C	-40 °C	-	-

Electrical output = AH, DH (TRC [09/08])

Housing = A2													
Electrical output	Temperature class	P 1		P 2		P 3		P 4		P 5		P 6	
		T _p	T _{amb}	T _p	T _{amb}	T _p	T _{amb}	T _p	T _{amb}	T _p	T _{amb}	T _p	T _{amb}
AH, DH	T6 (85 °C)	-40 °C	60 °C	60 °C	60 °C	85 °C	53 °C	85 °C	-40 °C	-40 °C	-40 °C	-	-
	T5 (100 °C)	-40 °C	75 °C	75 °C	75 °C	100 °C	68 °C	100 °C	-40 °C	-40 °C	-40 °C	-	-
	T4 (135 °C)	-40 °C	76 °C	76 °C	76 °C	135 °C	64 °C	135 °C	-40 °C	-40 °C	-40 °C	-	-
	T3 (200 °C)	-40 °C	76 °C	76 °C	76 °C	200 °C	51 °C	200 °C	-40 °C	-40 °C	-40 °C	-	-

Housing = A3													
Electrical output	Temperature class	P 1		P 2		P 3		P 4		P 5		P 6	
		T _p	T _{amb}	T _p	T _{amb}	T _p	T _{amb}	T _p	T _{amb}	T _p	T _{amb}	T _p	T _{amb}
AH, DH	T6 (85 °C)	-40 °C	60 °C	60 °C	60 °C	85 °C	51 °C	85 °C	-40 °C	-40 °C	-40 °C	-	-
	T5 (100 °C)	-40 °C	75 °C	75 °C	75 °C	100 °C	66 °C	100 °C	-40 °C	-40 °C	-40 °C	-	-
	T4 (135 °C)	-40 °C	76 °C	76 °C	76 °C	135 °C	62 °C	135 °C	-40 °C	-40 °C	-40 °C	-	-
	T3 (200 °C)	-40 °C	76 °C	76 °C	76 °C	200 °C	46 °C	200 °C	-40 °C	-40 °C	-40 °C	-	-

Standard Division 2 Wiring

Probe: Class I, Zone 0/Class I, Division 1
Electronics housing: Class I, Division 2

LTC57

Electrical output = IH, ID (TRC [03])

Housing = A2													
Electrical output	Temperature class	P 1		P 2		P 3		P 4		P 5		P 6	
		T _p	T _{amb}	T _p	T _{amb}	T _p	T _{amb}	T _p	T _{amb}	T _p	T _{amb}	T _p	T _{amb}
IH ID 1 channel used	T6 (85 °C)	-40 °C	60 °C	60 °C	60 °C	85 °C	55 °C	85 °C	-40 °C	-40 °C	-40 °C	-	-
	T5 (100 °C)	-40 °C	75 °C	75 °C	75 °C	100 °C	70 °C	100 °C	-40 °C	-40 °C	-40 °C	-	-
	T4 (135 °C)	-40 °C	80 °C	80 °C	80 °C	135 °C	71 °C	135 °C	-40 °C	-40 °C	-40 °C	-	-
	T3 (200 °C)	-40 °C	80 °C	80 °C	80 °C	185 °C	63 °C	185 °C	-40 °C	-40 °C	-40 °C	-	-
ID 2 channels used	T6 (85 °C)	-40 °C	51 °C	51 °C	51 °C	85 °C	46 °C	85 °C	-40 °C	-40 °C	-40 °C	-	-
	T5 (100 °C)	-40 °C	66 °C	66 °C	66 °C	100 °C	61 °C	100 °C	-40 °C	-40 °C	-40 °C	-	-
	T4 (135 °C)	-40 °C	75 °C	75 °C	75 °C	135 °C	65 °C	135 °C	-40 °C	-40 °C	-40 °C	-	-
	T3 (200 °C)	-40 °C	75 °C	75 °C	75 °C	185 °C	57 °C	185 °C	-40 °C	-40 °C	-40 °C	-	-

Housing = A3													
Electrical output	Temperature class	P 1		P 2		P 3		P 4		P 5		P 6	
		T _p	T _{amb}	T _p	T _{amb}	T _p	T _{amb}	T _p	T _{amb}	T _p	T _{amb}	T _p	T _{amb}
IH ID 1 channel used	T6 (85 °C)	-40 °C	60 °C	60 °C	60 °C	85 °C	54 °C	85 °C	-40 °C	-40 °C	-40 °C	-	-
	T5 (100 °C)	-40 °C	75 °C	75 °C	75 °C	100 °C	69 °C	100 °C	-40 °C	-40 °C	-40 °C	-	-
	T4 (135 °C)	-40 °C	80 °C	80 °C	80 °C	135 °C	69 °C	135 °C	-40 °C	-40 °C	-40 °C	-	-
	T3 (200 °C)	-40 °C	80 °C	80 °C	80 °C	185 °C	59 °C	185 °C	-40 °C	-40 °C	-40 °C	-	-
ID 2 channels used	T6 (85 °C)	-40 °C	51 °C	51 °C	51 °C	85 °C	45 °C	85 °C	-40 °C	-40 °C	-40 °C	-	-
	T5 (100 °C)	-40 °C	66 °C	66 °C	66 °C	100 °C	60 °C	100 °C	-40 °C	-40 °C	-40 °C	-	-
	T4 (135 °C)	-40 °C	75 °C	75 °C	75 °C	135 °C	63 °C	135 °C	-40 °C	-40 °C	-40 °C	-	-
	T3 (200 °C)	-40 °C	75 °C	75 °C	75 °C	185 °C	53 °C	185 °C	-40 °C	-40 °C	-40 °C	-	-

Electrical output = IE (TRC [05])

Housing = A2													
Electrical output	Temperature class	P 1		P 2		P 3		P 4		P 5		P 6	
		T _p	T _{amb}	T _p	T _{amb}	T _p	T _{amb}	T _p	T _{amb}	T _p	T _{amb}	T _p	T _{amb}
IE 1 channel used	T6 (85 °C)	-40 °C	60 °C	60 °C	60 °C	85 °C	55 °C	85 °C	-40 °C	-40 °C	-40 °C	-	-
	T5 (100 °C)	-40 °C	75 °C	75 °C	75 °C	100 °C	70 °C	100 °C	-40 °C	-40 °C	-40 °C	-	-
	T4 (135 °C)	-40 °C	80 °C	80 °C	80 °C	135 °C	72 °C	135 °C	-40 °C	-40 °C	-40 °C	-	-
	T3 (200 °C)	-40 °C	80 °C	80 °C	80 °C	185 °C	65 °C	185 °C	-40 °C	-40 °C	-40 °C	-	-
IE 2 channels used	T6 (85 °C)	-40 °C	60 °C	60 °C	60 °C	85 °C	55 °C	85 °C	-40 °C	-40 °C	-40 °C	-	-
	T5 (100 °C)	-40 °C	75 °C	75 °C	75 °C	100 °C	70 °C	100 °C	-40 °C	-40 °C	-40 °C	-	-
	T4 (135 °C)	-40 °C	78 °C	78 °C	78 °C	135 °C	68 °C	135 °C	-40 °C	-40 °C	-40 °C	-	-
	T3 (200 °C)	-40 °C	78 °C	78 °C	78 °C	185 °C	61 °C	185 °C	-40 °C	-40 °C	-40 °C	-	-

Housing = A3													
Electrical output	Temperature class	P 1		P 2		P 3		P 4		P 5		P 6	
		T _p	T _{amb}	T _p	T _{amb}	T _p	T _{amb}	T _p	T _{amb}	T _p	T _{amb}	T _p	T _{amb}
IE 1 channel used	T6 (85 °C)	-40 °C	60 °C	60 °C	60 °C	85 °C	53 °C	85 °C	-40 °C	-40 °C	-40 °C	-	-
	T5 (100 °C)	-40 °C	75 °C	75 °C	75 °C	100 °C	68 °C	100 °C	-40 °C	-40 °C	-40 °C	-	-
	T4 (135 °C)	-40 °C	80 °C	80 °C	80 °C	135 °C	71 °C	135 °C	-40 °C	-40 °C	-40 °C	-	-
	T3 (200 °C)	-40 °C	80 °C	80 °C	80 °C	185 °C	60 °C	185 °C	-40 °C	-40 °C	-40 °C	-	-
IE 2 channels used	T6 (85 °C)	-40 °C	60 °C	60 °C	60 °C	85 °C	53 °C	85 °C	-40 °C	-40 °C	-40 °C	-	-
	T5 (100 °C)	-40 °C	75 °C	75 °C	75 °C	100 °C	68 °C	100 °C	-40 °C	-40 °C	-40 °C	-	-
	T4 (135 °C)	-40 °C	78 °C	78 °C	78 °C	135 °C	66 °C	135 °C	-40 °C	-40 °C	-40 °C	-	-
	T3 (200 °C)	-40 °C	78 °C	78 °C	78 °C	185 °C	57 °C	185 °C	-40 °C	-40 °C	-40 °C	-	-

Electrical output = AH, DH (TRC [09/08])

Housing = A2													
Electrical output	Temperature class	P 1		P 2		P 3		P 4		P 5		P 6	
		T _p	T _{amb}	T _p	T _{amb}	T _p	T _{amb}	T _p	T _{amb}	T _p	T _{amb}	T _p	T _{amb}
AH, DH	T6 (85 °C)	-40 °C	60 °C	60 °C	60 °C	85 °C	55 °C	85 °C	-40 °C	-40 °C	-40 °C	-	-
	T5 (100 °C)	-40 °C	75 °C	75 °C	75 °C	100 °C	70 °C	100 °C	-40 °C	-40 °C	-40 °C	-	-
	T4 (135 °C)	-40 °C	76 °C	76 °C	76 °C	135 °C	66 °C	135 °C	-40 °C	-40 °C	-40 °C	-	-
	T3 (200 °C)	-40 °C	76 °C	76 °C	76 °C	185 °C	59 °C	185 °C	-40 °C	-40 °C	-40 °C	-	-

Housing = A3													
Electrical output	Temperature class	P 1		P 2		P 3		P 4		P 5		P 6	
		T _p	T _{amb}	T _p	T _{amb}	T _p	T _{amb}	T _p	T _{amb}	T _p	T _{amb}	T _p	T _{amb}
AH, DH	T6 (85 °C)	-40 °C	60 °C	60 °C	60 °C	85 °C	53 °C	85 °C	-40 °C	-40 °C	-40 °C	-	-
	T5 (100 °C)	-40 °C	75 °C	75 °C	75 °C	100 °C	68 °C	100 °C	-40 °C	-40 °C	-40 °C	-	-
	T4 (135 °C)	-40 °C	76 °C	76 °C	76 °C	135 °C	64 °C	135 °C	-40 °C	-40 °C	-40 °C	-	-
	T3 (200 °C)	-40 °C	76 °C	76 °C	76 °C	185 °C	55 °C	185 °C	-40 °C	-40 °C	-40 °C	-	-

Standard Division 2 Wiring

Probe: Class I, Zone 0/Class I, Division 1
Electronics housing: Class I, Division 2

LTC5X

optional specification, option "Probe design" = B

Electrical output = IH, ID (TRC [03])

Housing = A2, A3													
Electrical output	Temperature class	P 1		P 2		P 3		P 4		P 5		P 6	
		T _p	T _{amb}	T _p	T _{amb}	T _p	T _{amb}	T _p	T _{amb}	T _p	T _{amb}	T _p	T _{amb}
IH ID 1 channel used	T6 (85 °C)	-	60 °C	-	60 °C	-	60 °C	-	-40 °C	-	-40 °C	-	-
	T5 (100 °C)	-	75 °C	-	75 °C	-	75 °C	-	-40 °C	-	-40 °C	-	-
ID 2 channels used	T6 (85 °C)	-	51 °C	-	51 °C	-	51 °C	-	-40 °C	-	-40 °C	-	-
	T5 (100 °C)	-	66 °C	-	66 °C	-	66 °C	-	-40 °C	-	-40 °C	-	-

Electrical output = IE (TRC [05])

Housing = A2, A3													
Electrical output	Temperature class	P 1		P 2		P 3		P 4		P 5		P 6	
		T _p	T _{amb}	T _p	T _{amb}	T _p	T _{amb}	T _p	T _{amb}	T _p	T _{amb}	T _p	T _{amb}
IE 1 channel used	T6 (85 °C)	-	60 °C	-	60 °C	-	60 °C	-	-40 °C	-	-40 °C	-	-
	T5 (100 °C)	-	80 °C	-	80 °C	-	80 °C	-	-40 °C	-	-40 °C	-	-
IE 2 channels used	T6 (85 °C)	-	60 °C	-	60 °C	-	60 °C	-	-40 °C	-	-40 °C	-	-
	T5 (100 °C)	-	78 °C	-	78 °C	-	78 °C	-	-40 °C	-	-40 °C	-	-

Electrical output = AH, DH (TRC [09/08])

Housing = A2, A3													
Electrical output	Temperature class	P 1		P 2		P 3		P 4		P 5		P 6	
		T _p	T _{amb}	T _p	T _{amb}	T _p	T _{amb}	T _p	T _{amb}	T _p	T _{amb}	T _p	T _{amb}
AH, DH	T6 (85 °C)	-	37 °C	-	37 °C	-	37 °C	-	-40 °C	-	-40 °C	-	-

T_p = dependent on the sensor

Probe and electronics housing: Class II, III, Division 1

LTC5X

Electrical output = IH (TRC [03])

Housing = A2, A3	
-	
$T = T_{amb} + 5 \text{ K}$	

Electrical output = ID (TRC [03])

Housing = A2, A3	
1 channel used	2 channels used
$T = T_{amb} + 5 \text{ K}$	$T = T_{amb} + 10 \text{ K}$

Electrical output = IE (TRC [05])

Housing = A2, A3	
1 channel used	2 channels used
$T = T_{amb} + 5 \text{ K}$	$T = T_{amb} + 10 \text{ K}$

Electrical output = AH (TRC [09])

Housing = A2, A3	
-	
$T = T_{amb} + 9 \text{ K}$	

Electrical output = DH (TRC [08])

Housing = A2, A3	
-	
$T = T_{amb} + 8 \text{ K}$	



With regard to the supply of products, the current issue of the following document is applicable: The General Terms of Delivery for Products and Services of the Electrical Industry, published by the Central Association of the "Elektrotechnik und Elektroindustrie (ZVEI) e.V." including the supplementary clause: "Erweiterter Eigentumsvorbehalt".

PROCESS AUTOMATION – PROTECTING YOUR PROCESS



Worldwide Headquarters

Pepperl+Fuchs GmbH
68307 Mannheim · Germany
Tel. +49 621776-0
E-mail: info@de.pepperl-fuchs.com

For the Pepperl+Fuchs representative
closest to you check www.pepperl-fuchs.com/pfcontact

www.pepperl-fuchs.com

Subject to modifications
Copyright Pepperl+Fuchs • Printed in Germany



SI005290-D/98/EN/16.14
116-0411
FM7.2

 **PEPPERL+FUCHS**
PROTECTING YOUR PROCESS

DOCT-4107A

277660
09/2016