

**Providing Versatility.
Increasing
Performance.
Maximizing Safety.**

New GR Series GRP Enclosures
for Terminal Boxes and
Control Stations



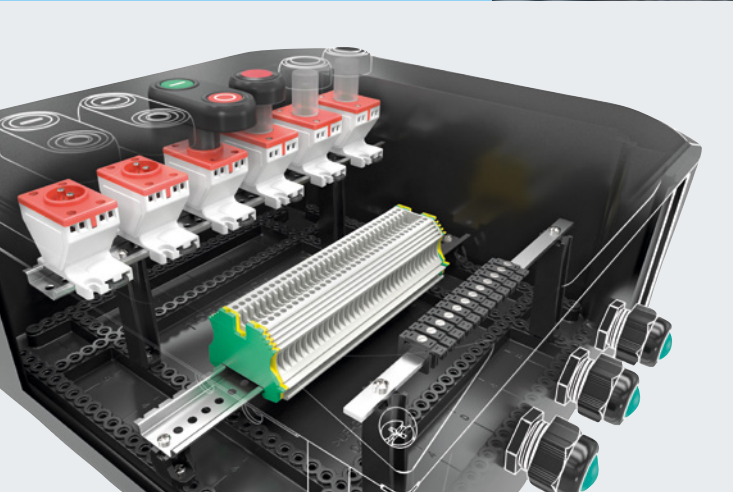
Your automation, our passion.

pf PEPPERL+FUCHS

Maximum Protection and Efficiency. Electrical Explosion Protection from Pepperl+Fuchs.

- As an established partner of the process industry, Pepperl+Fuchs is known for its decades of experience and expertise in electrical explosion protection
- The extensive portfolio includes solutions for all common types of protection and international certification requirements
- Expertise and service around the globe
 - More than 300 local sales experts close to you
 - Solution Engineering Centers (SECs) offer points of contact on every continent







Meeting the Needs of Our Customers

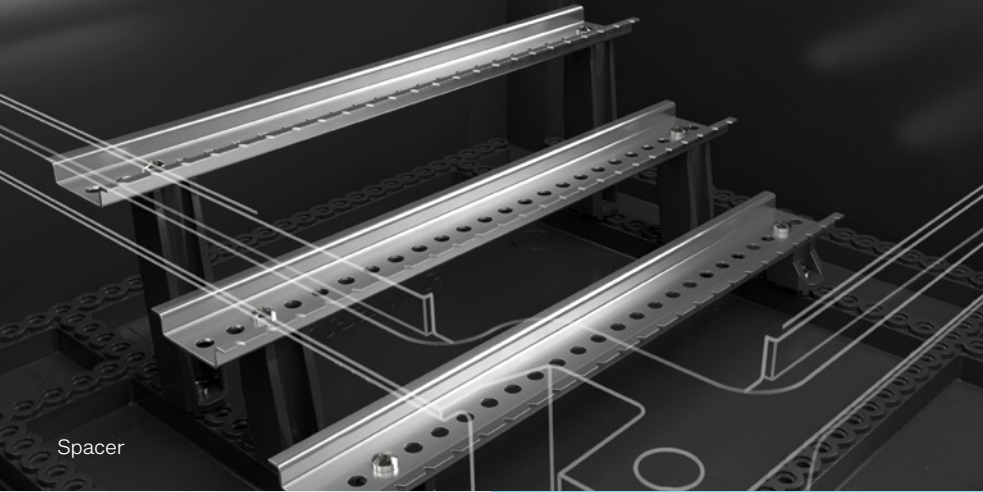
- Brand-new GR enclosure series draws from decades of experience
- High-strength glass-fiber reinforced polyester enclosure material
- From individual components to complete custom solutions including planning, consultation, and certification



Unique Design Opens Up a Range of Applications

- DIN rail mounting grid (10 mm) enables unlimited mounting options
- Special spacers allow components to be installed at different heights in a single housing
- Flexible modular configuration reduces design time
- Expanded temperature range down to $-60\text{ }^{\circ}\text{C}$ makes new applications possible and offers an alternative to expensive stainless steel enclosures
- Thirteen modular enclosures available from $10 \times 10 \times 7\text{ cm}$ up to $48 \times 60 \times 24\text{ cm}$ or $36 \times 72 \times 24\text{ cm}$





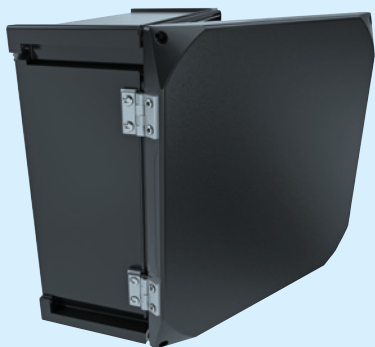
Spacer



Mounting grid



Pry points



Hinge accessories



Edge protection

Robust Design Simplifies Handling

- Screwdriver pry points enable easy opening of the enclosure cover
- Edge protection prevents damage to the gasket
- Rugged hinge accessories simplify maintenance
- Ex e and Ex i terminal boxes and control stations



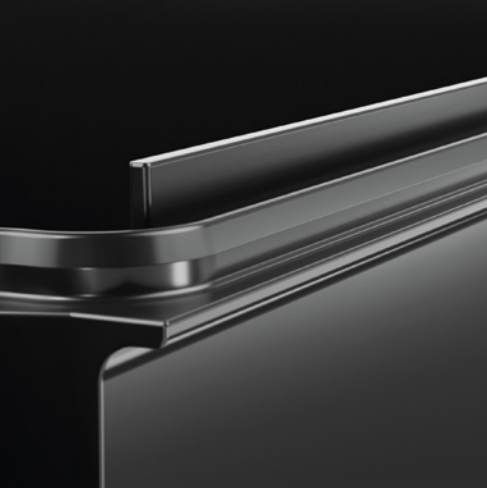
Innovative Design Allows Quick and Easy Installation

- Unique mounting concept allows one-person mounting
- Integrated edge protection for safe stacking, even during mounting

For more information, visit:

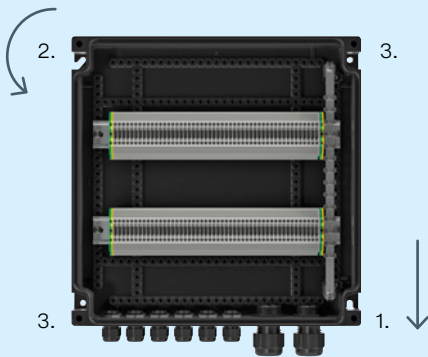
pepperl-fuchs.com/GR





Unique mounting concept easy as 1-2-3! No need to hold the enclosure during mounting

- Insert screws 1 and 2 into the wall
- Temporarily hang the enclosure on screw 1 and swing it onto screw 2
- Mark and drill screws 3
- Tighten all four screws



One-person mounting



Your automation, our passion.

Explosion Protection

- Intrinsic Safety Barriers
- Signal Conditioners
- FieldConnex® Fieldbus Infrastructure
- Remote I/O Systems
- Electrical Explosion Protection Equipment
- Purge and Pressurization Systems
- HMI Systems
- Mobile Computing and Communications
- HART Interface Solutions
- Surge Protection
- Wireless Solutions
- Level Measurement

Industrial Sensors

- Proximity Sensors
- Photoelectric Sensors
- Industrial Vision
- Ultrasonic Sensors
- Rotary Encoders
- Positioning Systems
- Inclination and Acceleration Sensors
- Vibration Monitoring
- Industrial Ethernet
- AS-Interface
- IO-Link
- Identification Systems
- Displays and Signal Processing
- Connectivity

www.pepperl-fuchs.com

Subject to modifications • © Pepperl+Fuchs
Printed in Germany • Part. No. 318026 06/23 03 • public



Pepperl+Fuchs Quality

Download our latest policy here:

www.pepperl-fuchs.com/quality