

Functional Safety

**SMART Transmitter Power
Supply
KCD2-STC-(Ex)1(.SP)(-Y1),
HiC2025(A)(Y1)**

Manual

SIL

IEC 61508/61511



CE SIL 2 

With regard to the supply of products, the current issue of the following document is applicable:
The General Terms of Delivery for Products and Services of the Electrical Industry, published by the Central Association of the Electrical Industry (Zentralverband Elektrotechnik und Elektroindustrie (ZVEI) e.V.) in its most recent version as well as the supplementary clause: "Expanded reservation of proprietorship"

Worldwide

Pepperl+Fuchs Group

Lilienthalstr. 200

68307 Mannheim

Germany

Phone: +49 621 776 - 0

E-mail: info@de.pepperl-fuchs.com

North American Headquarters

Pepperl+Fuchs Inc.

1600 Enterprise Parkway

Twinsburg, Ohio 44087

USA

Phone: +1 330 425-3555

E-mail: sales@us.pepperl-fuchs.com

Asia Headquarters

Pepperl+Fuchs Pte. Ltd.

P+F Building

18 Ayer Rajah Crescent

Singapore 139942

Phone: +65 6779-9091

E-mail: sales@sg.pepperl-fuchs.com

<https://www.pepperl-fuchs.com>

1	Introduction	5
1.1	Content of this Document	5
1.2	Safety Information	6
1.3	Symbols Used	7
2	Product Description	8
2.1	Validity	8
2.2	Function	8
2.3	Interfaces	9
2.4	Marking	9
2.5	Standards and Directives for Functional Safety	10
3	Planning	11
3.1	System Structure	11
3.2	Assumptions	12
3.3	Safety Function and Safe State	13
3.4	Characteristic Safety Values	14
3.5	Useful Lifetime	15
4	Mounting and Installation	16
4.1	Configuration	16
5	Operation	17
5.1	Proof Test Procedure	17
6	Maintenance and Repair	21
7	List of Abbreviations	22

1 Introduction

1.1 Content of this Document

This document contains information for usage of the device in functional safety-related applications. You need this information to use your product throughout the applicable stages of the product life cycle. These can include the following:

- Product identification
- Delivery, transport, and storage
- Mounting and installation
- Commissioning and operation
- Maintenance and repair
- Troubleshooting
- Dismounting
- Disposal



Note

This document does not substitute the instruction manual.



Note

For full information on the product, refer to the instruction manual and further documentation on the Internet at www.pepperl-fuchs.com.

The documentation consists of the following parts:

- Present document
- Instruction manual
- Manual
- Datasheet

Additionally, the following parts may belong to the documentation, if applicable:

- EU-type examination certificate
- EU declaration of conformity
- Attestation of conformity
- Certificates
- Control drawings
- FMEDA report
- Assessment report
- Additional documents

For more information about Pepperl+Fuchs products with functional safety, see www.pepperl-fuchs.com/sil.

1.2 Safety Information

Target Group, Personnel

Responsibility for planning, assembly, commissioning, operation, maintenance, and dismantling lies with the plant operator.

Only appropriately trained and qualified personnel may carry out mounting, installation, commissioning, operation, maintenance, and dismantling of the product. The personnel must have read and understood the instruction manual and the further documentation.

Intended Use

The device is only approved for appropriate and intended use. Ignoring these instructions will void any warranty and absolve the manufacturer from any liability.

The device is developed, manufactured and tested according to the relevant safety standards.

Use the device only

- for the application described
- with specified environmental conditions
- with devices that are suitable for this safety application

Improper Use

Protection of the personnel and the plant is not ensured if the device is not used according to its intended use.

1.3 Symbols Used

This document contains symbols for the identification of warning messages and of informative messages.

Warning Messages

You will find warning messages, whenever dangers may arise from your actions. It is mandatory that you observe these warning messages for your personal safety and in order to avoid property damage.

Depending on the risk level, the warning messages are displayed in descending order as follows:



Danger!

This symbol indicates an imminent danger.

Non-observance will result in personal injury or death.



Warning!

This symbol indicates a possible fault or danger.

Non-observance may cause personal injury or serious property damage.



Caution!

This symbol indicates a possible fault.

Non-observance could interrupt the device and any connected systems and plants, or result in their complete failure.

Informative Symbols



Note

This symbol brings important information to your attention.



Action

This symbol indicates a paragraph with instructions. You are prompted to perform an action or a sequence of actions.

2 Product Description

2.1 Validity

This manual is only valid for devices with a part number

- **greater than #310000** for device versions without Y1 or
- **greater than #70000000** for Y1 device versions.

Contact your Pepperl+Fuchs representative for information about older devices.

2.2 Function

KCD2-STC-1(.SP)

This signal conditioner provides the galvanic isolation between field circuits and control circuits.

The device supplies 2-wire transmitters in the field, and can also be used with current sources.

The device transfers the analog input signal to the control side as an isolated current value.

Bi-directional communication is supported for SMART transmitters that use current modulation to transmit data and voltage modulation to receive data.

If the HART communication resistance in the loop is too low, the internal resistance can be used.

Test sockets for the connection of HART communicators are integrated into the terminals of the device.

The output is selected as a current source, current sink, or voltage source via DIP switches.

The device is mounted on a 35 mm DIN mounting rail according to EN 60715.

SP version

The devices are available with screw terminals or spring terminals.

The type code of the versions of the devices with spring terminals has the extension **.SP**.

KCD2-STC-Ex1(.SP)(-Y1)

This isolated barrier is used for intrinsic safety applications.

The device supplies 2-wire transmitters in the hazardous area, and can also be used with current sources.

The device transfers the analog input signal to the non-hazardous area as an isolated current value.

Bi-directional communication is supported for SMART transmitters that use current modulation to transmit data and voltage modulation to receive data.

If the HART communication resistance in the loop is too low, the internal resistance can be used.

Test sockets for the connection of HART communicators are integrated into the terminals of the device.

The output is selected as a current source, current sink, or voltage source via DIP switches.

The device is mounted on a 35 mm DIN mounting rail according to EN 60715.

SP version

The devices are available with screw terminals or spring terminals.
 The type code of the versions of the devices with spring terminals has the extension **.SP**.

Y1 version

The device supplies 2-wire transmitters in the hazardous area.
 The device cannot be used with current sources.

HiC2025(A)(Y1)

This isolated barrier is used for intrinsic safety applications.
 The device supplies 2-wire transmitters in the hazardous area, and can also be used with current sources.
 The device transfers the analog input signal to the non-hazardous area as an isolated current value.
 Bi-directional communication is supported for SMART transmitters that use current modulation to transmit data and voltage modulation to receive data.
 The output is selected as a current source, current sink, or voltage source via DIP switches.
 This device mounts on a HiC termination board.

A version

Device version A has reduced intrinsically safe parameters.

Y1 version

The device supplies 2-wire transmitters in the hazardous area.
 The device cannot be used with current sources.

2.3 Interfaces

The device has the following interfaces.

- Safety relevant interfaces: input I, output I
- Non-safety relevant interfaces: none

The HART communication is not relevant for functional safety.



Note

For corresponding connections see datasheet.

2.4 Marking

Pepperl+Fuchs Group Lilienthalstraße 200, 68307 Mannheim, Germany	
Internet: www.pepperl-fuchs.com	

KCD2-STC-1(.SP)	Up to SIL 2
KCD2-STC-Ex1(.SP)(-Y1)	
HiC2025(A)(Y1)	

2.5 Standards and Directives for Functional Safety

Device specific standards and directives

Functional safety	IEC/EN 61508, part 1 – 7, edition 2010: Functional safety of electrical/electronic/programmable electronic safety-related systems (manufacturer)
-------------------	---

System-specific standards and directives

Functional safety	IEC 61511-1:2016+COR1:2016+A1:2017 EN 61511-1:2017+A1:2017 Functional safety – Safety instrumented systems for the process industry sector (user)
-------------------	---

3 Planning

3.1 System Structure

3.1.1 Low Demand Mode of Operation

If there are two control loops, one for the standard operation and another one for the functional safety, then usually the demand rate for the safety loop is assumed to be less than once per year.

The relevant safety parameters to be verified are:

- the PFD_{avg} value (average **P**robability of dangerous **F**ailure on **D**emand) and the T₁ value (proof test interval that has a direct impact on the PFD_{avg} value)
- the SFF value (**S**afe **F**ailure **F**raction)
- the HFT architecture (**H**ardware **F**ault **T**olerance)

3.1.2 High Demand or Continuous Mode of Operation

If there is only one safety loop, which combines the standard operation and safety-related operation, then usually the demand rate for this safety loop is assumed to be higher than once per year.

The relevant safety parameters to be verified are:

- the PFH value (**P**robability of dangerous **F**ailure per **H**our)
- Fault reaction time of the safety system
- the SFF value (**S**afe **F**ailure **F**raction)
- the HFT architecture (**H**ardware **F**ault **T**olerance)

3.1.3 Safe Failure Fraction

The safe failure fraction describes the ratio of all safe failures and dangerous detected failures to the total failure rate.

$$\text{SFF} = (\lambda_s + \lambda_{dd}) / (\lambda_s + \lambda_{dd} + \lambda_{du})$$

A safe failure fraction as defined in IEC/EN 61508 is only relevant for elements or (sub)systems in a complete safety loop. The device under consideration is always part of a safety loop but is not regarded as a complete element or subsystem.

For calculating the SIL of a safety loop it is necessary to evaluate the safe failure fraction of elements, subsystems and the complete system, but not of a single device.

Nevertheless the SFF of the device is given in this document for reference.

3.2 Assumptions

The following assumptions have been made during the FMEDA:

- Failure rate based on the Siemens standard SN 29500.
- Failure rates are constant, wear is not considered.
- External power supply failure rates are not included.
- The safety-related device is considered to be of type **A** device with a hardware fault tolerance of **0**.
- The device will be used under average industrial ambient conditions comparable to the classification **stationary mounted** according to MIL-HDBK-217F.

Alternatively, operating stress conditions typical of an industrial field environment similar to IEC/EN 60654-1 Class C with an average temperature over a long period of time of 40 °C may be assumed. For a higher average temperature of 60 °C, the failure rates must be multiplied by a factor of 2.5 based on experience. A similar factor must be used if frequent temperature fluctuations are expected.

- The application program in the programmable logic controller (PLC) is configured to detect underrange and overrange failures.
- The device do not has a fault bus.

SIL 2 Application

- To build a SIL safety loop for the defined SIL, it is assumed as an example that this device uses 10 % of the available budget for PFD_{avg}/PFH .
- For a SIL 2 application operating in low demand mode the total PFD_{avg} value of the SIF (**S**afety **I**nstrumented **F**unction) should be smaller than 10^{-2} , hence the maximum allowable PFD_{avg} value would then be 10^{-3} .
- For a SIL 2 application operating in high demand mode the total PFH value of the SIF should be smaller than 10^{-6} per hour, hence the maximum allowable PFH value would then be 10^{-7} per hour.
- Since the safety loop has a hardware fault tolerance of **0** and it is a type **A** device, the SFF must be > 60 % according to table 2 of IEC/EN 61508-2 for a SIL 2 (sub) system.

3.3 Safety Function and Safe State

Safety Function

The device transfers analog signals from the input to the output with a tolerance of 2 % related to the full signal range.

Use the following DIP switch settings for safety-relevant applications:

DIP Switch Settings KCD2-STC-(Ex)1(.SP)(-Y1)

Function	S1	S2	S3	S4
Current source 4 mA to 20 mA	II	II	I	II
Voltage source 1 V to 5 V	II	II	I	I
Current sink 4 mA to 20 mA	II	I	II	II

Table 3.1

DIP Switch Settings HiC2025(A)(Y1)

Function	S1	S2	S3	S4
Current source 4 mA to 20 mA	OFF	OFF	ON	OFF
Voltage source 1 V to 5 V	OFF	OFF	ON	ON
Current sink 4 mA to 20 mA	OFF	ON	OFF	OFF

Table 3.2

Safe State

In the safe state, the following values must be reached at the output:

- < 3.6 mA or > 21.5 mA,
- < 0.9 V or > 5.375 V,

Reaction Times

The safety reaction time is the maximum time required from the occurrence of the fault to the reaction of the outputs in normal operation without faults.

The combined fault detection and fault reaction time is the time in which the device outputs react to an occurred fault. See chapter 3.4.



Note

See corresponding datasheets for further information.

3.4 Characteristic Safety Values

Parameters	Characteristic values
Assessment type	Full assessment
Device type	A
Mode of operation	Low demand mode or high demand mode
HFT	0
SIL	2
SC	3
Safety function	Transfer of the analog signals
λ_s^1	0 FIT
λ_{dd}	163 FIT
λ_{du}	40.9 FIT
$\lambda_{total} \text{ (safety function)}^1$	204 FIT
$\lambda_{not \text{ part}}$	18.6 FIT
SFF ¹	79 %
MTBF ²	276 years
PFH	4.09×10^{-8} 1/h
PFD _{avg} for $T_{proof} = 1$ year	1.79×10^{-4}
PFD _{avg} for $T_{proof} = 2$ years	3.58×10^{-4}
PFD _{avg} for $T_{proof} = 5$ years	8.96×10^{-4}
PTC	100 %
Safety reaction time ₃ Fault reaction time ₃	< 20 ms < 100 ms

Table 3.3

¹ "No effect failures" are not influencing the safety function and are therefore not included in SFF and in the failure rates of the safety function.

² acc. to SN29500. This value includes failures which are not part of the safety function/MTTR = 24 h.

³ Time between fault occurrence and fault reaction

The characteristic safety values like PFD, SFF, HFT and T_1 are taken from the SIL report/FMEDA report. Observe that PFD and T_1 are related to each other.

The function of the devices has to be checked within the proof test interval (T_1).

3.5 Useful Lifetime

Although a constant failure rate is assumed by the probabilistic estimation this only applies provided that the useful lifetime of components is not exceeded. Beyond this useful lifetime, the result of the probabilistic estimation is meaningless as the probability of failure significantly increases with time. The useful lifetime is highly dependent on the component itself and its operating conditions – temperature in particular. For example, electrolytic capacitors can be very sensitive to the operating temperature.

This assumption of a constant failure rate is based on the bathtub curve, which shows the typical behavior for electronic components.

Therefore it is obvious that failure calculation is only valid for components that have this constant domain and that the validity of the calculation is limited to the useful lifetime of each component.

It is assumed that early failures are detected to a huge percentage during the installation and therefore the assumption of a constant failure rate during the useful lifetime is valid.

However, according to IEC/EN 61508-2, a useful lifetime, based on general experience, should be assumed. Experience has shown that the useful lifetime often lies within a range period of about 8 to 12 years.

As noted in DIN EN 61508-2:2011 note N3, appropriate measures taken by the manufacturer and plant operator can extend the useful lifetime.

Our experience has shown that the useful lifetime of a Pepperl+Fuchs product can be higher if the ambient conditions support a long life time, for example if the ambient temperature is significantly below the maximum ambient temperature.

Please note that the useful lifetime refers to the (constant) failure rate of the device. The effective life time can be higher.

The estimated useful lifetime is greater than the warranty period prescribed by law or the manufacturer's guarantee period. However, this does not result in an extension of the warranty or guarantee services. Failure to reach the estimated useful lifetime is not a material defect.

4 Mounting and Installation



Mounting and Installing the Device

1. Observe the safety instructions in the instruction manual.
2. Observe the information in the manual.
3. Observe the requirements for the safety loop.
4. Connect the device only to devices that are suitable for this safety application.
5. Check the safety function to ensure the expected output behavior.

4.1 Configuration



Configuring the Devices with DIP Switches on the Device Side

The device is configured via DIP switches. The DIP switches for setting the safety functions are on the side of the device.

1. De-energize the device before configuring the device.
2. Remove the device.
3. Configure the device for the required safety function via the DIP switches, see chapter 3.3.
4. Secure the DIP switches to prevent unintentional adjustments.
5. Mount the device.
6. Connect the device again.



Configuring the Devices with DIP Switches on the Front Side

The device is configured via DIP switches. The DIP switches for setting the safety functions are on the front of the device.

1. De-energize the device before configuring the device.
2. Open the cover.
3. Configure the device for the required safety function via the DIP switches, see chapter 3.3.
4. Secure the DIP switches to prevent unintentional adjustments.
5. Close the cover.
6. Connect the device again.



Note

See corresponding datasheets for further information.

5 Operation



Danger!

Danger to life from missing safety function

If the safety loop is put out of service, the safety function is no longer guaranteed.

- Do not deactivate the device.
- Do not bypass the safety function.
- Do not repair, modify, or manipulate the device.



Operating the device

1. Observe the safety instruction in the instruction manual.
2. Observe the information in the manual.
3. Use the device only with devices that are suitable for this safety application.
4. Correct any occurring safe failures within 24 hours. Take measures to maintain the safety function while the device is being repaired.

5.1 Proof Test Procedure

This section describes a possible proof test procedure. The user is not obliged to use this proposal. The user may consider different concepts with an individual determination of the respective effectiveness, e. g. concepts according to NA106:2018.

According to IEC/EN 61508-2 a recurring proof test shall be undertaken to reveal potential dangerous failures that are not detected otherwise.

Check the function of the subsystem at periodic intervals depending on the applied PFD_{avg} in accordance with the characteristic safety values. See chapter 3.4.

It is under the responsibility of the plant operator to define the type of proof test and the interval time period.

Equipment required:

- Digital multimeter with an accuracy better than 0.1 %
Use for the proof test of the intrinsic safety side of the device a special digital multimeter for intrinsically safe circuits.
If intrinsically safe circuits are operated with non-intrinsically safe circuits, they must no longer be used as intrinsically safe circuits.
- Power supply set to nominal voltage of 24 V DC
- Process calibrator with current source and current sink function with an accuracy better than 20 μ A



Proof Test Procedure

1. Put out of service the entire safety loop. Protect the application by means of other measures.
2. Prepare a test set-up, see figures below.
3. Test the devices. Verify the current values as given in table below.
4. After the test, reset the device to the original settings.

Step No.	Input			Output
	Input value (mA)	Input value for 2-wire Tx (V)	Input value for 4-wire Tx (V) ¹	Output value (mA)
1	20.00	15.3 ± 0.6	4.1 ± 1.5	20.00 ± 0.4
2	12.00	17.3 ± 0.6	4.1 ± 1.5	12.00 ± 0.4
3	4.00	19.3 ± 0.6	4.1 ± 1.5	4.00 ± 0.4
4 ²	23.00	14.4 ± 0.6	4.1 ± 1.5	23.00 ± 0.4
5 ²	0	22.0 ± 2.0	n. a.	< 0.2
6 ³	12.00			

Table 5.1 Steps to be performed for the proof test

- ¹ Not applicable for Y1 device versions.
- ² The output shall detect a fail high or fail low condition.
- ³ There is no longer a fault.

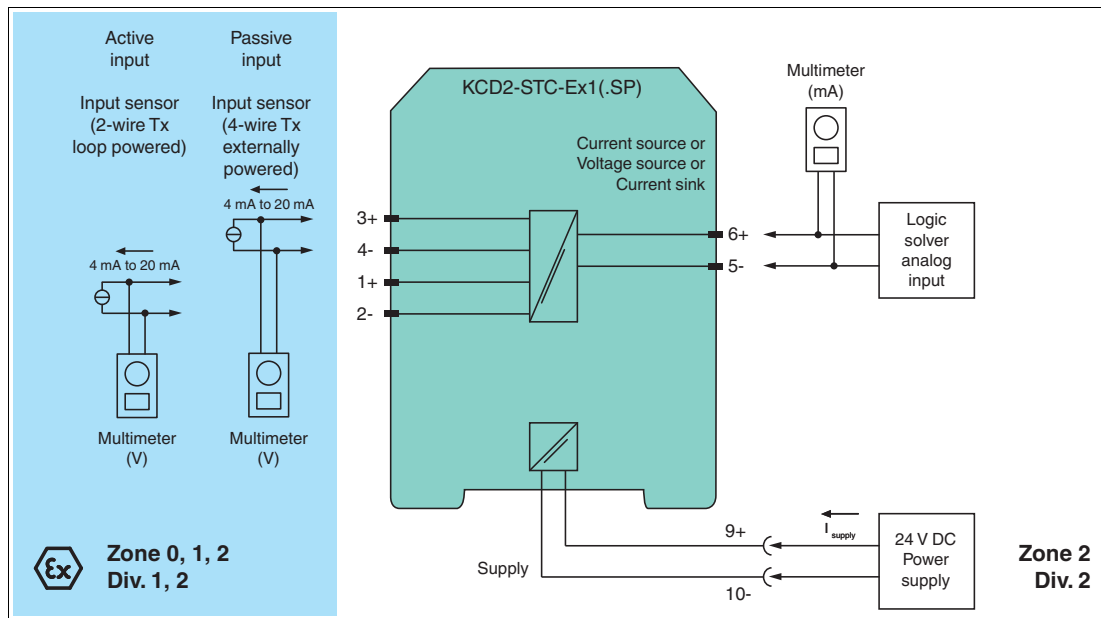


Figure 5.1 Proof test set-up for KCD2-STC-(Ex)1(.SP)

Usage in Zone 0, 1, 2/Div. 1, 2 only for KCD2-STC-Ex1(.SP)

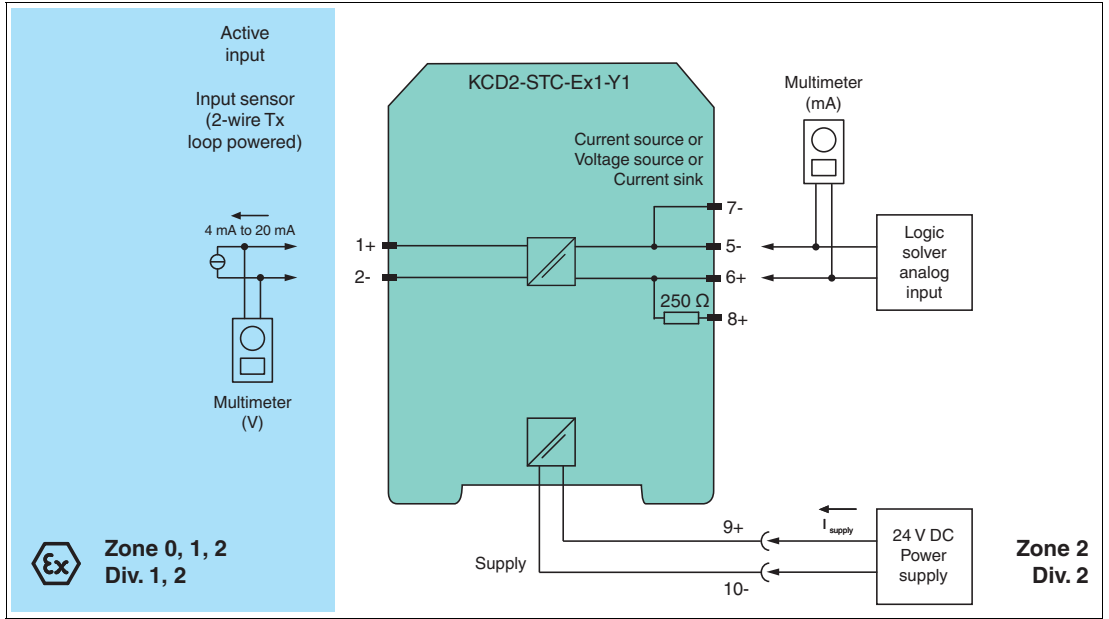


Figure 5.2 Proof test set-up for KCD2-STC-Ex1-Y1

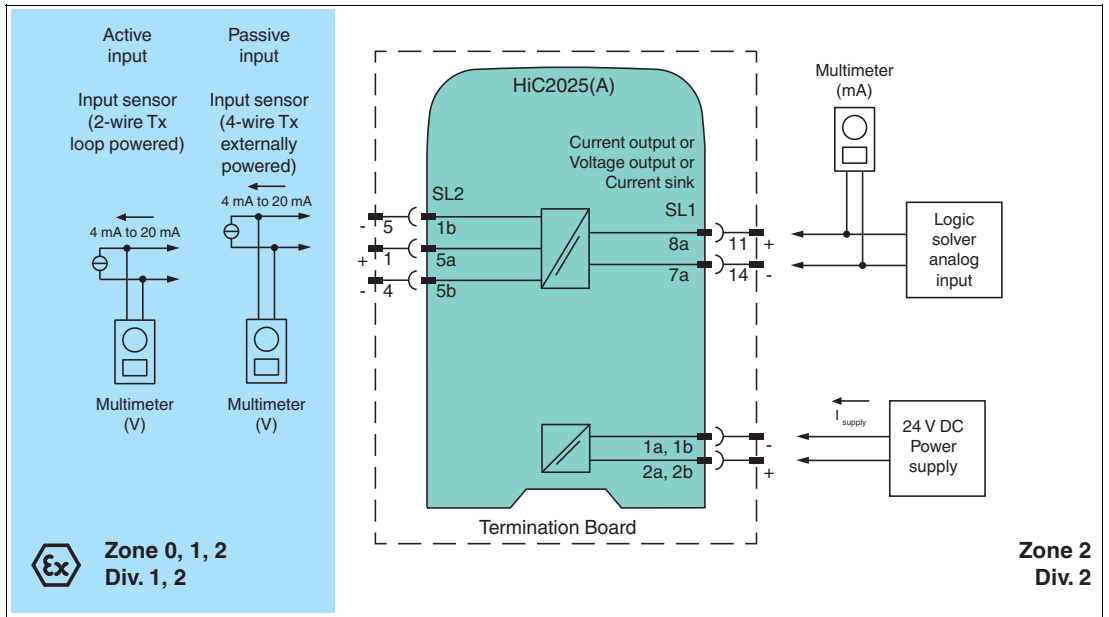


Figure 5.3 Proof test set-up for HiC2025(A)

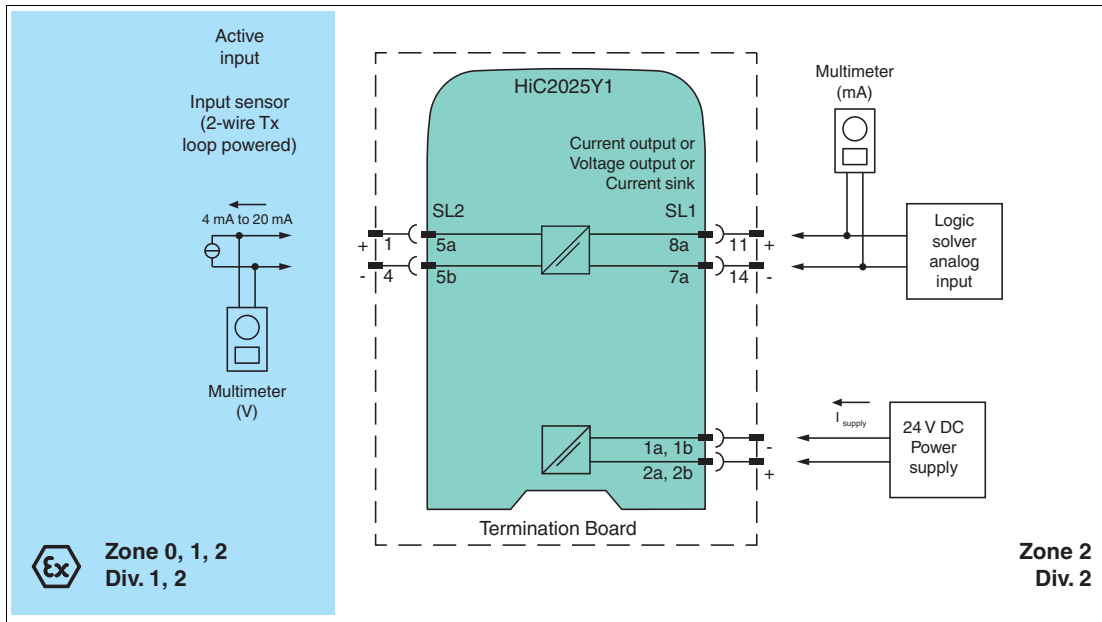


Figure 5.4 Proof test set-up for HiC2025Y1



Tip

The easiest way to test HiC devices is by using a stand-alone HiCTB** -SCT-***-**-** termination board. In this test, it is not necessary to disconnect the wiring of the existing application. Faults in a subsequent wiring can be avoided.

6 Maintenance and Repair



Danger!

Danger to life from missing safety function

Changes to the device or a defect of the device can lead to device malfunction. The function of the device and the safety function is no longer guaranteed.

Do not repair, modify, or manipulate the device.



Maintaining, Repairing or Replacing the Device

In case of maintenance, repair or replacement of the device, proceed as follows:

1. Implement appropriate maintenance procedures for regular maintenance of the safety loop.
2. While the device is maintained, repaired or replaced, the safety function does not work. Take appropriate measures to protect personnel and equipment while the safety function is not available. Secure the application against accidental restart.
3. Do not repair a defective device. A defective device must only be repaired by the manufacturer.
4. If there is a defect, always replace the device with an original device.



Reporting Device Failure

If you use the device in a safety loop according to IEC/EN 61508, it is required to inform the device manufacturer about possible systematic failures.

1. Report all failures in the safety function that are due to functional limitations or a loss of device function – especially in the case of possible dangerous failures.
2. In these cases, contact your local sales partner or the Pepperl+Fuchs technical sales support (service line).
3. It is not necessary to report failures in the safety function that are due to external influences or damage.

7 List of Abbreviations

ESD	Emergency Shutdown
FIT	Failure In Time in 10^{-9} 1/h
FMEDA	Failure Mode, Effects, and Diagnostics Analysis
λ_s	Probability of safe failure
λ_{dd}	Probability of dangerous detected failure
λ_{du}	Probability of dangerous undetected failure
$\lambda_{\text{no effect}}$	Probability of failures of components in the safety loop that have no effect on the safety function.
$\lambda_{\text{not part}}$	Probability of failure of components that are not in the safety loop
$\lambda_{\text{total (safety function)}}$	Probability of failure of components that are in the safety loop
HFT	Hardware Fault Tolerance
MTBF	Mean Time Between Failures
MTTR	Mean Time To Restoration
PCS	Process Control System
PFD_{avg}	Average Probability of dangerous Failure on Demand
PFH	Average frequency of dangerous failure per hour
PLC	Programmable Logic Controller
PTC	Proof Test Coverage
SC	Systematic Capability
SFF	Safe Failure Fraction
SIF	Safety Instrumented Function
SIL	Safety Integrity Level
SIS	Safety Instrumented System
T₁	Proof Test Interval

Your automation, our passion.

Explosion Protection

- Intrinsic Safety Barriers
- Signal Conditioners
- FieldConnex® Fieldbus
- Remote I/O Systems
- Electrical Ex Equipment
- Purge and Pressurization
- Industrial HMI
- Mobile Computing and Communications
- HART Interface Solutions
- Surge Protection
- Wireless Solutions
- Level Measurement

Industrial Sensors

- Proximity Sensors
- Photoelectric Sensors
- Industrial Vision
- Ultrasonic Sensors
- Rotary Encoders
- Positioning Systems
- Inclination and Acceleration Sensors
- Fieldbus Modules
- AS-Interface
- Identification Systems
- Displays and Signal Processing
- Connectivity

Pepperl+Fuchs Quality

Download our latest policy here:

www.pepperl-fuchs.com/quality

