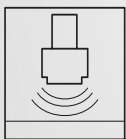


VU120

LED Module

Brief Instructions



With regard to the supply of products, the current issue of the following document is applicable:
The General Terms of Delivery for Products and Services of the Electrical Industry, published by the Central Association of the Electrical Industry (Zentralverband Elektrotechnik und Elektroindustrie (ZVEI) e.V.) in its most recent version as well as the supplementary clause: "Expanded reservation of proprietorship"

Worldwide

Pepperl+Fuchs Group
Lilienthalstr. 200
68307 Mannheim
Germany
Phone: +49 621 776 - 0
E-mail: info@de.pepperl-fuchs.com

North American Headquarters

Pepperl+Fuchs Inc.
1600 Enterprise Parkway
Twinsburg, Ohio 44087
USA
Phone: +1 330 425-3555
E-mail: sales@us.pepperl-fuchs.com

Asia Headquarters

Pepperl+Fuchs Pte. Ltd.
P+F Building
18 Ayer Rajah Crescent
Singapore 139942
Phone: +65 6779-9091
E-mail: sales@sg.pepperl-fuchs.com
<https://www.pepperl-fuchs.com>

- 1 Introduction 5**
 - 1.1 Content of this Document 5**
 - 1.2 Safety Information 5**
 - 1.3 Designated Use 5**
 - 1.4 Symbols Used 6**

- 2 Safety Instructions 7**

- 3 Mounting and Dismounting of the Module 8**
 - 3.1 Removing the LED Module 8**
 - 3.2 Connecting a new LED Module 8**
 - 3.3 Mounting the LED Module 9**

- 4 Repair and Disposal 10**
 - 4.1 Repair Concept 10**
 - 4.2 Disposal 10**

1 Introduction

1.1 Content of this Document

This document contains information that you need for the mounting and dismounting of the LED module.



Note

See manual for further information.



Note

This document does not substitute the instruction manual.



Note

For full information on the product, refer to the instruction manual and further documentation on the Internet at www.pepperl-fuchs.com.



Note

For specific device information such as the year of construction, scan the QR code on the device. As an alternative, enter the serial number in the serial number search at www.pepperl-fuchs.com.

1.2 Safety Information

Target Group, Personnel

Responsibility for planning, assembly, commissioning, operation, maintenance, and dismounting lies with the plant operator.

Only appropriately trained and qualified personnel may carry out mounting, installation, commissioning, operation, maintenance, and dismounting of the product. The personnel must have read and understood the instruction manual and the further documentation.

Prior to using the product make yourself familiar with it. Read the document carefully.

1.3 Designated Use

Device for status signaling

Suitable for the following device versions: Vibration limit switch LVL-M4

1.4 Symbols Used

This document contains symbols of informative messages.

1.4.1 Informative Symbols



Note

This symbol brings important information to your attention.

1.4.2 Symbols in Graphics

1, 2, 3 ... Item numbers

A, B, C, ... Views

2 Safety Instructions

- Comply with national regulations governing mounting, electrical installation, commissioning, maintenance and repair procedures.
- The device is energized! Risk of fatal injury from electric shock. Open the device only when the device is de-energized.
- For devices intended for use in hazardous locations, please observe the guidelines in the Ex documentation (SI).
- In the case of devices in safety-related applications in accordance with IEC 61508 or IEC 61511: Commission in accordance with Operating Instructions after repair. Document the repair procedure.
- Before removing the device: set the process to a safe state and purge the pipe of dangerous process substances.
- Hot surfaces! Risk of injury! Before commencing work: allow the system and device to cool down to a touchable temperature.
- In the case of devices in custody transfer, the custody transfer status no longer applies once the seal has been removed.
- Follow the manual for the device.
- Risk of damaging the electronic components! Ensure you have a working environment protected from electrostatic discharge.
- After removing the electronics compartment cover: risk of electrical shock due to missing touch protection! Turn the device off before removing internal covers.
- Modifications to the device are not permitted.
- Only open the housing for a brief period. Avoid the penetration of foreign bodies, moisture or contaminants.
- Replace defective seals only with original seals from Pepperl+Fuchs.
- If threads are damaged or defective, the device must be repaired.
- Do not lubricate threads (e. g. of electronics compartment cover or connection compartment cover).
- If spacing is reduced or the dielectric strength of the device is not guaranteed during repair work, perform a test on completion of the work (e.g. high-voltage test in accordance with the manufacturer's instructions).
- Service plug:
 - Do not connect in explosive atmospheres.
 - Only connect to Pepperl+Fuchs service devices.
- Observe the instructions for transporting and returning the device outlined in the manual.



Note

In case of questions, please contact the local Pepperl+Fuchs service organization.

3 Mounting and Dismounting of the Module

Required Tools

- 3 mm allen key for screw of cover locking
- Crimper
- Side cutter
- Size 1 flat-blade screwdriver

3.1 Removing the LED Module

Cover locking: optional

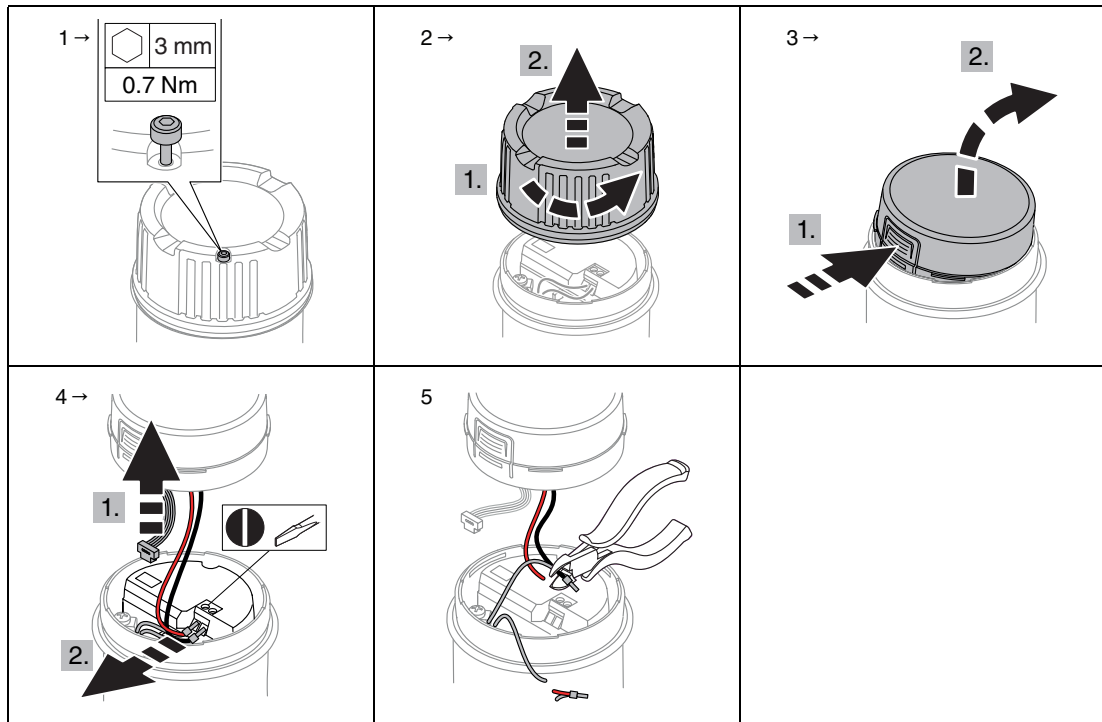


Figure 3.1

3.2 Connecting a new LED Module

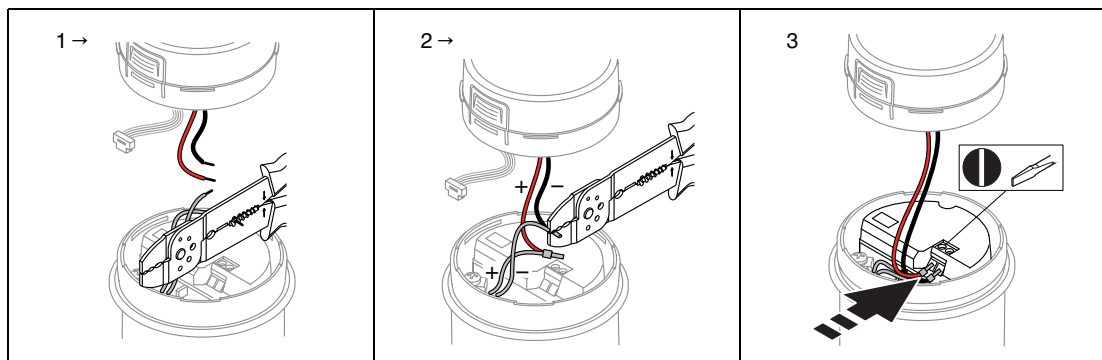


Figure 3.2

3.3 Mounting the LED Module

Mounting is performed by following the removal procedure in reverse order. Ensure that the module is snapped in place.

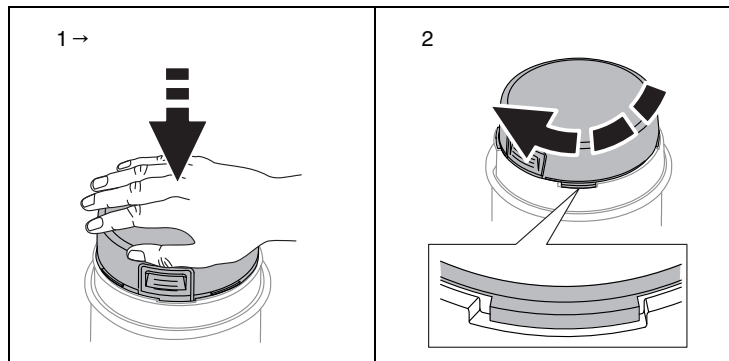


Figure 3.3

4 Repair and Disposal

4.1 Repair Concept

Pepperl+Fuchs repair concept

- A defective unit can only be replaced with a functioning unit of the same type.
- Only use original parts from Pepperl+Fuchs.
- Check if the spare part is suitable for the existing measuring device.

Note

A spare parts overview is located in the interior of some measuring devices. If the spare parts kit is specified on this list, no inspection is required.

4.1.1 Personnel Authorized to Carry out Repairs

Technical staff must comply with the following requirements for repair, mounting, electrical installation and commissioning of the measuring devices:

- Specialized technical staff must be trained in instrument safety.
- They must be familiar with the individual operating conditions of the devices.
- In the case of Ex-certified measuring devices, they must also be trained in explosion protection.

Note

Technical staff carrying out work are responsible for ensuring that the work is carried out safely and to the required quality standard. They must also guarantee the safety of the device following repair.

4.2 Disposal



If required by the Directive 2012/19/EU on waste electrical and electronic equipment (WEEE), the product is marked with the depicted symbol in order to minimize the disposal of WEEE as unsorted municipal waste. Do not dispose of products bearing this marking as unsorted municipal waste. Instead, return them to Pepperl+Fuchs for disposal under the applicable conditions.

Your automation, our passion.

Explosion Protection

- Intrinsic Safety Barriers
- Signal Conditioners
- FieldConnex® Fieldbus
- Remote I/O Systems
- Electrical Ex Equipment
- Purge and Pressurization
- Industrial HMI
- Mobile Computing and Communications
- HART Interface Solutions
- Surge Protection
- Wireless Solutions
- Level Measurement

Industrial Sensors

- Proximity Sensors
- Photoelectric Sensors
- Industrial Vision
- Ultrasonic Sensors
- Rotary Encoders
- Positioning Systems
- Inclination and Acceleration Sensors
- Fieldbus Modules
- AS-Interface
- Identification Systems
- Displays and Signal Processing
- Connectivity

Pepperl+Fuchs Quality
Download our latest policy here:

www.pepperl-fuchs.com/quality

