

VisuNet FLX System

RM-320S-*

PC-320S-*

DM-320S-*

Manual



Your automation, our passion.

 **PEPPERL+FUCHS**

With regard to the supply of products, the current issue of the following document is applicable:
The General Terms of Delivery for Products and Services of the Electrical Industry, published
by the Central Association of the Electrical Industry (Zentralverband Elektrotechnik und Elek-
troindustrie (ZVEI) e.V.) in its most recent version as well as the supplementary clause:
"Expanded reservation of proprietorship"

Worldwide

Pepperl+Fuchs Group
Lilienthalstr. 200
68307 Mannheim
Germany
Phone: +49 621 776 - 0
E-mail: info@de.pepperl-fuchs.com

North American Headquarters

Pepperl+Fuchs Inc.
1600 Enterprise Parkway
Twinsburg, Ohio 44087
USA
Phone: +1 330 425-3555
E-mail: sales@us.pepperl-fuchs.com

Asia Headquarters

Pepperl+Fuchs Pte. Ltd.
P+F Building
18 Ayer Rajah Crescent
Singapore 139942
Phone: +65 6779-9091
E-mail: sales@sg.pepperl-fuchs.com
<https://www.pepperl-fuchs.com>

1	History of the Manual	5
2	Introduction.....	6
2.1	Content of this Document.....	6
2.2	Manufacturer	6
2.3	Target Group, Personnel	6
2.4	Symbols Used	7
3	Product Description	8
3.1	Overview.....	8
3.2	Reference Documents	12
3.3	Technical Data.....	14
3.4	Dimensions and Nameplates.....	21
4	Mechanical Installation	26
4.1	Unpacking	26
4.2	System Installation	27
4.2.1	General Installation Information	27
4.2.2	Space Requirements	29
4.3	Preparing for Pedestal Installation	29
4.4	Mounting the Housing onto the Pedestal.....	31
4.5	Mounting the Housing with 0° Tilted Mounting Adapter.....	33
4.6	Open the Housing	34
4.7	Installing Cables in the Pedestal.....	36
4.8	Closing the AG-3200-* Housing.....	42
4.9	Wall Mount Installation.....	44
4.10	Wall Mounting for Scanner Barrier.....	45
5	Electrical Installation.....	52
5.1	General Electrical Installation Information	52
5.2	Equipotential Bonding	53
5.2.1	Equipotential Bonding Connection of the Housing to the Pedestal	54
5.2.2	Equipotential bonding of the pedestal.....	57
5.3	Power Connection.....	58
5.3.1	Connect the DC Power Cable	58
5.3.2	Connecting the AC Power Supply	60
6	Interfaces.....	62

6.1	Computing Unit - Interface connectors	62
6.1.1	Power Limitations	62
7	Installing Peripherals.....	63
7.1	Mounting the Keyboard	63
7.2	Installing the IDM Zone 2/22 Barcode Reader.....	67
7.3	Installing the Bluetooth®-Kit	82
8	Equipping the System with Expansion Modules	85
8.1	Expansion units with operating elements	85
9	Maintenance, Cleaning and Disposal	86
9.1	Frequency Management.....	86
9.2	Maintenance	86
9.2.1	Dismounting the Display Unit	86
9.2.2	Exchanging the PSU	90
9.3	Exchanging the BPC3200-* or DMU3200-*	91
9.4	Cleaning	91
10	Chemical Resistance	92
11	Appendix.....	95

1 History of the Manual

The following editions of the manual have been released:

Version	Comments
04/2021	First edition
09/2021	Addition Installing the Bluetooth-Kit Improvement: New linedrawings regarding mounting the keyboard Improvement: Linking of additional manuals
10/2021	Addition of PE Label Addition ATEX Zone 2/22 (P+F self declaration)
01/2022	Addition of IDM Zone 2/22 barcode reader mechanical installation Addition Chemical Resistance
06/2022	Addition UL certification Removal ATEX Zone 2/22 (P+F self declaration) Addition ACP Thin Manager ready BIOS
07/2022	Minor marking corrections
06/2023	Addition of mounting information regarding 0° tilted mounting adapter for pedestal

2 Introduction

2.1 Content of this Document

This document contains information that you need in order to use your product throughout the applicable stages of the product life cycle. These can include the following:

- Product identification
- Delivery, transport, and storage
- Mounting and installation
- Commissioning and operation
- Maintenance and repair
- Troubleshooting
- Dismounting
- Disposal



Note

This document does not substitute the instruction manual.



Note

For full information on the product, refer to the instruction manual and further documentation on the Internet at www.pepperl-fuchs.com.

The documentation consists of the following parts:

- Present document
- Instruction manual
- Datasheet

Additionally, the following parts may belong to the documentation, if applicable:

- Type examination certificate
- EU declaration of conformity
- Attestation of conformity
- Certificates
- Control drawings
- Additional documents

2.2 Manufacturer

Pepperl+Fuchs Group Lilienthalstraße 200, 68307 Mannheim, Germany
--

Internet: www.pepperl-fuchs.com
--

2.3 Target Group, Personnel

Responsibility for planning, assembly, commissioning, operation, maintenance, and dismantling lies with the plant operator.

Only appropriately trained and qualified personnel may carry out mounting, installation, commissioning, operation, maintenance, and dismantling of the product. The personnel must have read and understood the instruction manual and the further documentation.

Prior to using the product make yourself familiar with it. Read the document carefully.

2.4 Symbols Used

This document contains symbols for the identification of warning messages and of informative messages.

Warning Messages

You will find warning messages, whenever dangers may arise from your actions. It is mandatory that you observe these warning messages for your personal safety and in order to avoid property damage.

Depending on the risk level, the warning messages are displayed in descending order as follows:



Danger!

This symbol indicates an imminent danger.

Non-observance will result in personal injury or death.



Warning!

This symbol indicates a possible fault or danger.

Non-observance may cause personal injury or serious property damage.



Caution!

This symbol indicates a possible fault.

Non-observance could interrupt the device and any connected systems and plants, or result in their complete failure.

Informative Symbols



Note

This symbol brings important information to your attention.



Action

1. This symbol indicates a paragraph with instructions. You are prompted to perform an action or a sequence of actions.

3 Product Description

3.1 Overview

The VisuNet FLX Systems are designed for Zone 2/22, DIV 2 or general purpose applications. The different mounting and configuring options lead to the highest application flexibility. Due to a fully modular design, the new platform, which is geared to the needs of the (petro-) chemical and pharmaceutical industries, the HMIs can be configured to fit exactly and enables simple and fast adjustments in the field. With the modern, compact design less installation space is required. The low weight allows a cost effective and easy installation.

Hygienic concept: The VisuNet FLX fulfills with its complete closed stainless steel housing pharma requirements. All cables are routed within the compact and robust system. The gap free surface which is available with a typical surface roughness of 0.8 µm and rounded edges of the system minimize the risk of an accumulation or growth of bacteria. Display, seals and keyboard are chemically resistant to typical cleaning agents.

In addition, individual solutions can also be created and manufactured at Pepperl+Fuchs' Solution Engineering Centers (SEC), which are located around the world. For example, a large selection of already qualified control elements (e.g. push buttons, emergency stop) is available for this purpose. Solutions for dual-monitor or mobile applications are also already taken into account in the design and can be customized as needed.

VisuNet FLX System Components



Figure 3.1

No.	Component
(1)	Display Unit: 21.5" display, touch screen, hardened front glass, available with optical bonding or non-optical bonding.
(2)	RAM / Storage: RAM available as 4 GB, 8 GB and 16 GB DDR4-2133 Storage available as 32 GB, 256 GB and 512 GB, expandable with qualified Pepperl+Fuchs components.
(3)	Computing Unit: (TCU, PCU or DMU): processor, SSD and memory, Ex circuits, interface modules
(4)	Power Supply Unit: AC option
(5)	Control Elements: Large selection of qualified push buttons are available via SEC.
(6)	System Housing: VisuNet FLX is preinstalled into the housing, adapter, pedestal and keyboard must be ordered separately

VisuNet FLX pedestal mounted with keyboard/mouse



Figure 3.2 VisuNet FLX mounted into AG-3200-* Housing on a pedestal PEDESTAL-3200-* with adapter and optional EXTA4-* keyboard/mouse (ordered separately)



Note






For a description of the product model nomenclature, see the VisuNet FLX RM, VisuNet FLX PC or VisuNet FLX DM product datasheets at www.pepperl-fuchs.com. For more mounting options and information, see the VisuNet Mounting Options datasheet.




Preferred Configurations:

Type	Type Code	Description
Remote Monitor configuration	RM-320S-N-A-22xx-D-1NAA2H1-NN0	Intel Celeron 3965U 4 GB DDR4, industrial temperature grade 32-GB M.2 SATA 3, industrial temperature grade VisuNet RM Shell 6.x (based on Windows® 10 IoT Enterprise LTSC 2021)
PC configuration	PC-320S-N-A-22xx-D-1NBD1H1-NN0	Intel Celeron 3965U 8 GB DDR4, industrial temperature grade 256-GB M.2 NVMe, industrial temperature grade Windows® 10 IoT Enterprise 2019 x64 LTSC

3.2 Reference Documents

Important Instructions and Manuals for Operating the Device

	Documentation	Contents
	<p>VisuNet FLX Panel manual</p>	<ul style="list-style-type: none"> • Panel installation • Information regarding 21.5", 19" and 15.6" DPU • Connecting the BPC3200-* to the DPU3200-* • Panel dimensions • Cut out dimensions • Support Pixel Errors • Gloves Tested for Touch Sensitivity
	<p>You are here: VisuNet FLX System manual</p>	<ul style="list-style-type: none"> • System installation (mechanical, electrical) • Power connection (DC and AC) • Installing peripherals • Maintenance • Chemical Resistance
	<p>BPC3200-* manual</p>	<ul style="list-style-type: none"> • Technical data and expanded technical data • Electrical installation • I/O connection • DIP Switch positions when exchanging
	<p>DMU3200-* manual</p>	<ul style="list-style-type: none"> • Product Versions • Technical data • I/O Connection • Opening the device
	<p>RM Shell 6 manual</p>	<ul style="list-style-type: none"> • Overview • App Management • System Settings • Factory Reset • How-tos

	Documentation	Contents
	<p>EXTA4-[*] manual</p>	<ul style="list-style-type: none"> • Product description • Installation and Commissioning • Chemical Resistance
	<p>Wired handheld barcode reader for use in explosion-hazardous areas Zone 2/22</p>	<ul style="list-style-type: none"> • System Structure • Commissioning
	<p>Bluetooth® handheld barcode reader for use in explosion-hazardous areas Zone 2/22</p>	<ul style="list-style-type: none"> • System Structure • Commissioning

3.3 Technical Data

RM-320S-*

General specifications	
Type	Remote Monitor

Hardware	
Processor	Intel® Celeron™ 3965U
RAM	1 x 4 GB DDR4-2133, industrial temperature grade [temperature class A]
Mass storage	Storage interface: 1x M.2 2242/2280 M Key, PCIe + SATA 3 Storage: 32-GB M.2 SATA 3, industrial temperature grade [temperature class A]

Software	
Operating system	Pepperl+Fuchs VisuNet RM Shell 6 (based on Microsoft® Windows® 10 IoT Enterprise 2021 LTSC (x64)) Optional: T: ACP ThinManager Ready BIOS [Celeron, 4 GB RAM, no storage]

PC-320S-*

General specifications	
Type	Personal Computer

Hardware	
Processor	Intel Celeron 3965U
RAM	2x SO-DIMM slots, supports up to 32 GB DDR4-2133 (one SO-DIMM slot) Configurable RAM options: Industrial temperature grade (temperature option A): B: 1x 8 GB DDR4-2133 C: 1x 16 GB DDR4-2133
Mass storage	Storage interface: 1x M.2 2242/2280 M Key, PCIe + SATA 3 Configurable storage options: Industrial temperature grade (temperature option A): D: 256-GB M.2 NVMe 1.3 (PCIe 4x) E: 512-GB M.2 NVMe 1.3 (PCIe 4x)

Software	
Operating system	Microsoft® Windows® 10 IoT Enterprise 2019 LTSC (x64)

RM-320S-* and PC-320S-*

Supply	
Power consumption	
AC	A: 115/230 V a.c. (100 ... 240 V a.c.), max. 0.7 A, max. 70 W For detailed information refer to the PSU PS1000-A6-24.5 manual.
DC	20 ... 28 V d.c. / 2.8 A (SELV/PELV or NEC class 2)

Indicators/operating means	
Display	
Type	Liquid Crystal Display (LCD) with LED backlight
Screen diagonal	54.61 cm (21.5 inches)
Resolution	1920 x 1080 pixels (Full HD) Aspect ratio 16:9
Color depth	24 bit (16.7 M) color
Contrast	Typically 22GT: 1000:1 22FC: 5000:1
Brightness	Configurable display options: 22GT: 250 cd/m ² 22FC: 300 cd/m ²
Reading angle	22GT: 178° in all directions 22FC: horizontal: 170°, vertical: 160°
Life span	22GT: back lamp life: 30.000-hrs typical half life, at 25°C (77°F) 22FC: back lamp life: 50.000-hrs typical half life, at 25°C (77°F)

Input devices	
Touch screen	Configurable display options: 22GT: Capacitive touch, no optical bonding 22FC: Capacitive touch, optical bonding, 10-finger multi-touch, glove-friendly
Keyboard	Optional: Foil keyboard with different pointing device options available (see EXTA4 technical data)

Interface	
Interface type	1 x DisplayPort 1.2 (DP++) 1 x mini DisplayPort 1.2 (DP++ w/ mono locking screw) 1 x Audio Line-out 2 x USB Ex i ports prepared for Pepperl+Fuchs intrinsically safe keyboard 2 x USB 3.1 Gen1 (5 Gbps) ports 1 x USB 2.0 port 2 x LAN ports (RJ45, 10/100/1000 Mbps) 2 x RS232/422/485 (BIOS configurable) with 5V/12V to power peripherals (1 x DB9 male + 1 x RJ45)

Directive conformity	
Electromagnetic compatibility	
Directive 2014/30/EU	EN 61326-1:2013 (ind. Locations) EN 61000-6-4:2007+A1:2011
Explosion protection	
Directive 2014/34/EU	EN IEC 60079-0:2018 EN IEC 60079-7:2015/A1:2018 EN 60079-11:2012 EN 60079-31:2014
RoHS	
Directive 2011/65/EU (RoHS)	EN IEC 63000:2018

Ambient conditions	
Operating temperature	0 ... 40 °C (32 ... 104 °F)
Storage temperature	-20 ... 65 °C (-4 ... 149 °F)
Relative humidity	max. relative humidity 93% at 40°C (non-condensing) according to EN60068-2-78
Climatic conditions	Passive cooling, no rotating parts
Altitude	Operating altitude max. 2000 m
Shock resistance	18 shocks 15 g, 11 ms all axis, IEC 60068-2-27
Vibration resistance	10 ... 150 Hz, +/- 0.075 mm, 1 g, 10 cycles per axis according to EN60068-2-6

Mechanical specifications	
Degree of protection	IP66 / Type 4X
Material	Housing: Stainless steel AISI304 (1.4301) Surface finish: Bead blasted, typical surface roughness 1.6 µm
Installation	System with enclosure
Mass	approx. 16 kg approx. 18 kg with AC Power Supply
Dimensions	577 mm x 466 mm x 91 mm

International approvals	
UL OrdLoc UL approval E223772	
Approved for	UL61010-1 Ed.3 UL 61010-2-201 Ed2 CAN/CSA C22.2 No 61010-1-12 CAN/CSA C22.2 No 61010-2-201
UL HazLoc UL approval E492874	

2023-06

International approvals	
Approved for	<p>NI circuits for CL I, DIV 2, GP A-D CL II, DIV 2, GP E, F, G CL III</p> <p>NI circuits for CL I, ZN 2, IIC CL II, ZN 22, IIIB CL III, ZN 22, IIIA Install per drawing 116-0478</p> <p>Mounting in CL I, DIV 2, GP A-D, T4 CL II, DIV 2, GP E, F, G, T4 CL III</p> <p>Mounting in CL I, ZN 2, IIC, T4 CL II, ZN 22, IIIB, T85°C CL III, ZN 22, IIIA, T85°C</p>
ATEX approval	
ATEX certificate	UL 22 ATEX 2481X
ATEX marking	II 3 G Ex ec [ic Gc] IIC T4 Gc II 3 D Ex tc [ic Dc] IIIC T85°C Dc
IECEx approval	
IECEx certificate	IECEx ULD 22.0019X
IECEx marking	Ex ec [ic Gc] IIC T4 Gc Ex tc [ic Dc] IIIC T85°C Dc
IECEx standards	IEC 60079-0:2017 Ed 7.0 IEC 60079-7:2017 Ed 5.1 IEC 60079-11:2011 Ed 6.0 IEC 60079-31:2013 Ed. 2

DM-320S-*

General specifications	
Type	Direct Monitor

Supply	
Power consumption	
AC	A: 115/230 V a.c. (100 ... 240 V a.c.), max. 0.4 A, max. 40 W For detailed information refer to the PSU PS1000-A6-24.5 manual.
DC	D: 20 ... 28 V d.c. / 1.5 A (SELV/PELV or NEC class 2)

Indicators/operating means	
Display	
Type	Liquid Crystal Display (LCD) with LED backlight
Screen diagonal	54.61 cm (21.5 ")
Resolution	1920 x 1080 pixels (Full HD) Aspect ratio 16:9
Color depth	24 bit (16.7 M) color
Contrast	Typically 22GT: 1000:1 22FC: 5000:1
Brightness	Configurable display options: 22GT: 250 cd/m ² 22FC: 300 cd/m ²
Reading angle	22GT: 178° in all directions 22FC: horizontal: 170°, vertical: 160°
Life span	22GT: back lamp life: 30.000-hrs typical half life, at 25°C (77°F) 22FC: back lamp life: 50.000-hrs typical half life, at 25°C (77°F)

Input devices	
Touch screen	Configurable display options: 22GT: Capacitive touch, no optical bonding 22FC: Capacitive touch, optical bonding, 10-finger multi-touch, glove-friendly
Keyboard	Optional: Foil keyboard with different pointing device options available (see EXTA4 technical data)

Interface	
Interface type	1x Power input w/ 3-pin terminal block 1x HDMI 1x DVI-I 1x VGA 1x USB 1x OSD Menu w/ power button

Directive conformity	
Electromagnetic compatibility	
Directive 2014/30/EU	EN 61326-1:2013 (ind. Locations) EN 61000-6-4:2007+A1:2011
Explosion protection	
Directive 2014/34/EU	EN IEC 60079-0:2018 EN IEC 60079-7:2015/A1:2018 EN 60079-31:2014
RoHS	
Directive 2011/65/EU (RoHS)	EN IEC 63000:2018

Ambient conditions	
Operating temperature	0 ... 40 °C (32 ... 104 °F)
Storage temperature	-20 ... 65 °C (-4 ... 149 °F)
Relative humidity	max. relative humidity 93% at 40°C (non-condensing) according to EN60068-2-78
Climatic conditions	Passive cooling, no rotating parts
Altitude	Operating altitude max. 2000 m
Shock resistance	18 shocks 15 g, 11 ms all axis, IEC 60068-2-27
Vibration resistance	10 ... 150 Hz, +/- 0.075 mm, 1 g, 10 cycles per axis according to EN60068-2-6

Mechanical specifications	
Degree of protection	IP66 / Type 4X
Material	Housing: Stainless steel AISI304 (1.4301) Surface finish: Bead blasted, typical surface roughness 1.6 µm
Installation	System with enclosure
Mass	approx. 16 kg approx. 18 kg with AC Power Supply
Dimensions	577 mm x 466 mm x 91 mm

International approvals	
UL OrdLoc UL approval E223772	
Approved for	UL61010-1 Ed.3 UL 61010-2-201 Ed2 CAN/CSA C22.2 No 61010-1-12 CAN/CSA C22.2 No 61010-2-201
UL HazLoc UL approval E492874	

International approvals	
Approved for	Mounting in CL I, DIV 2, GP A-D, T4 CL II, DIV 2, GP E, F, G, T4 CL III Mounting in CL I, ZN 2, IIC, T4 CL II, ZN 22, IIIB, T85°C CL III, ZN 22, IIIA, T85°C
ATEX approval	
ATEX certificate	UL 22 ATEX 2481X
ATEX marking	II 3 G Ex ec IIC T4 Gc II 3 D Ex tc IIIC T85°C Dc
IECEx approval	
IECEx certificate	IECEx ULD 22.0019X
IECEx marking	Ex ec IIC T4 Gc Ex tc IIIC T85°C Dc
IECEx standards	IEC 60079-0:2017 Ed 7.0 IEC 60079-7:2017 Ed 5.1 IEC 60079-31:2013 Ed. 2



Note

For expanded technical data regarding e.g. interfaces, electrical parameter, storage capacity and reliability rating refer to the BPC3200-* manual.

Thermal Throttling

For the Celeron processor, CPU throttling via a thermal control circuit is used. Depending on the system load and environmental operating temperature, the performance of the CPU may be throttled.



Note

Assess the system performance in context with the applications intended environmental conditions, including operating temperature range.

3.4 Dimensions and Nameplates

Dimensions

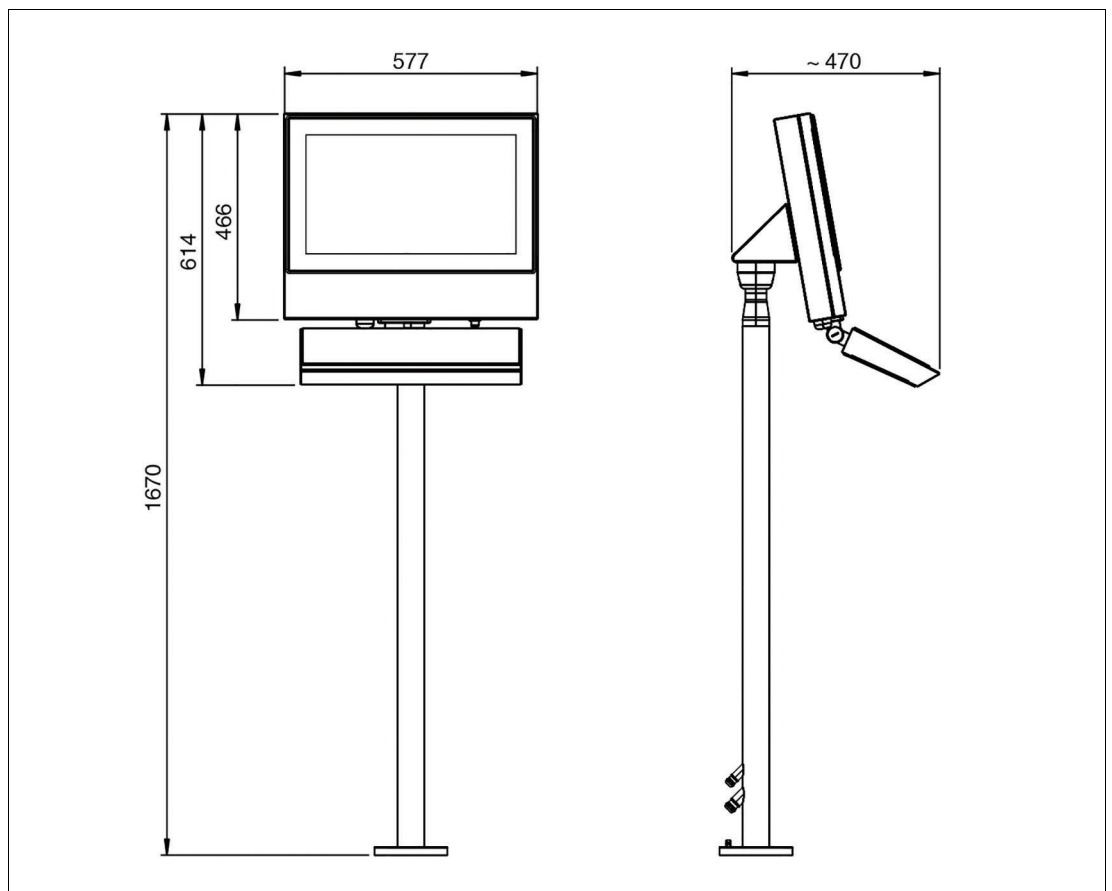


Figure 3.3 10° tilted system with pedestal

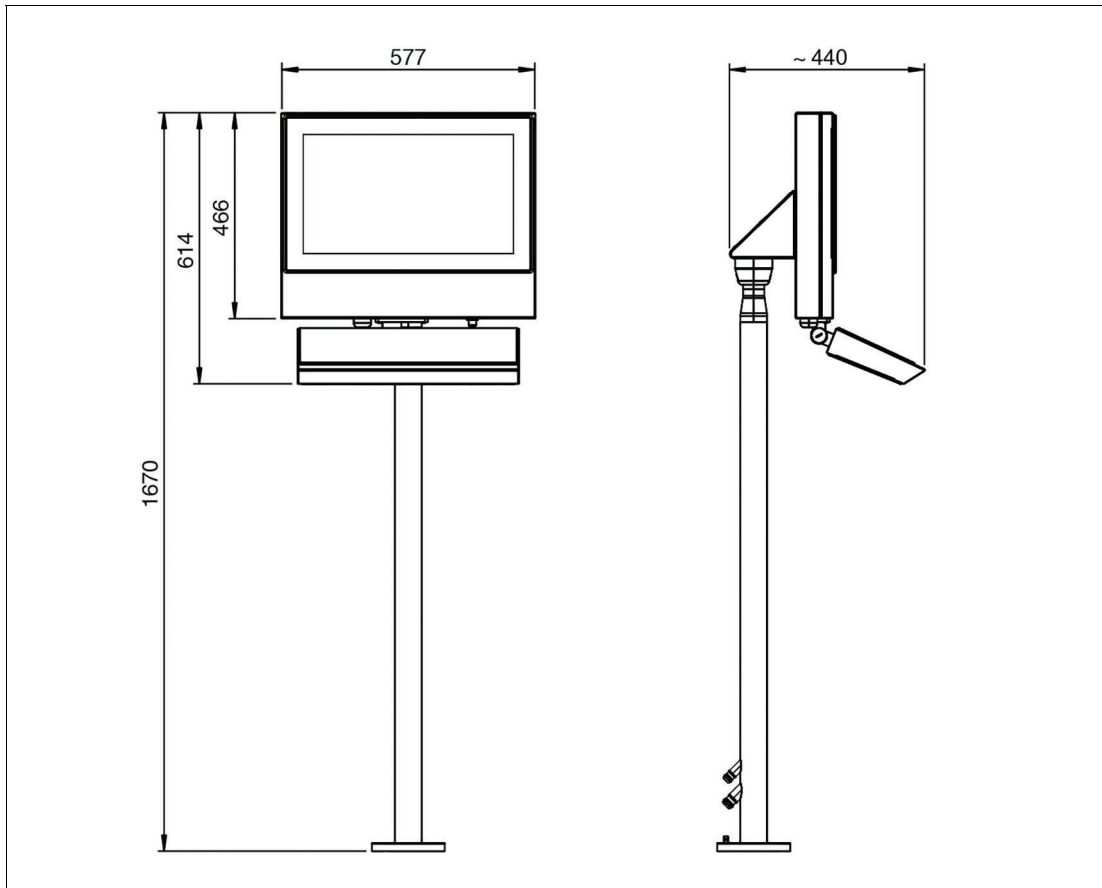


Figure 3.4 0° tilted with pedestal or wall mounting

Wall Bracket

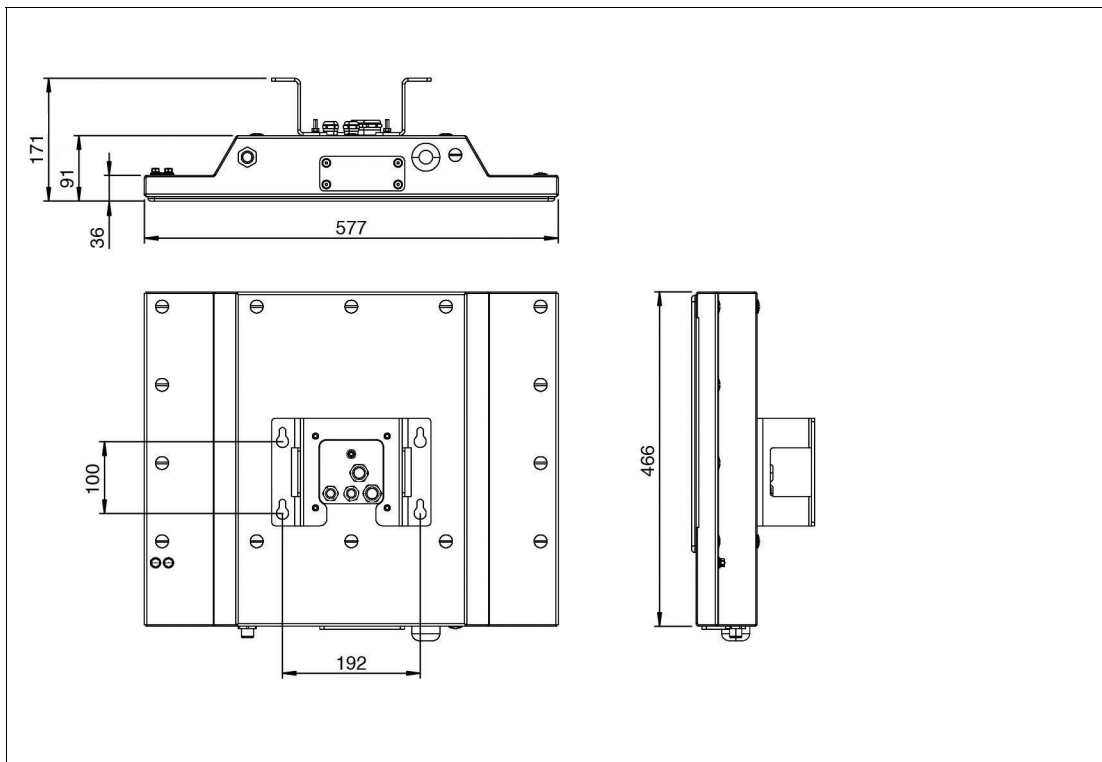


Figure 3.5 Dimensions Wall Mounting

2023-06



Note

For detailed specification on the VisuNet FLX Panel Mount refer to the VisuNet FLX Panel Mount manual (RM-320P-*, PC-320P-* and DM-320P-*).

Nameplates and Labels

The following nameplates and labels are attached to the VisuNet FLX System:

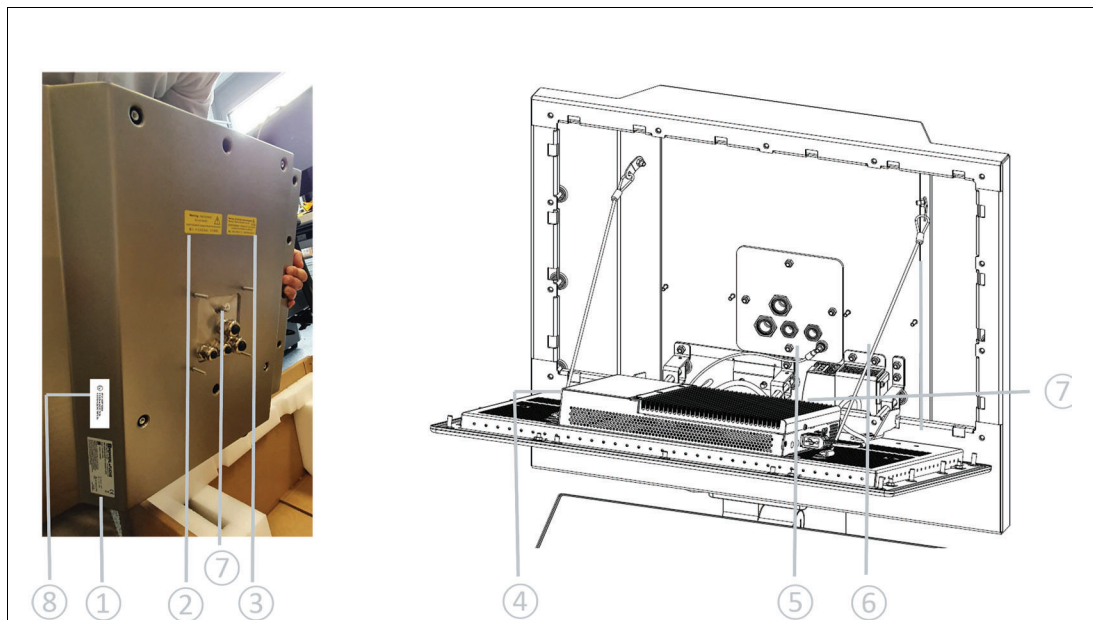


Figure 3.6

(1) Main Label





<p>PF PEPPERL+FUCHS 68307 Mannheim, Germany www.pepperl-fuchs.com RM-320S-NA-22GT-D-1NAA2H1-NN0 Part No.: 70124565-100000  01234567890123456789 This device complies with Part 15 of the FCC Rules. Operation is subject to the following two conditions: (1) this device may not cause harmful interference and (2) this device must accept any interference received, including interference that may cause undesired operation. Device complies with CAB ICES-3(A)/NMB-3(A)</p>	<p> LISTED Ind. Cont. Eq. for Ord. Loc. E223772</p> <p></p> <p>20 .. 28 Vdc / 2.7A 0°C <= Ta <= 40°C</p> <p> SEE INSTRUCTIONS</p> <p>YOM: 2020 Made in Singapore</p>
--	---

Figure 3.7

(2) Hot surface!

<p>Warning - Hot Surface! Do not touch! </p> <p>AVERTISSEMENT: Surface chaude! Ne pas toucher! 警告- 外壳表面高温! 请勿触摸!</p>
--

Figure 3.8

(3) Do not open when energized!



Figure 3.9

(4) Sublabel BPC3200-*

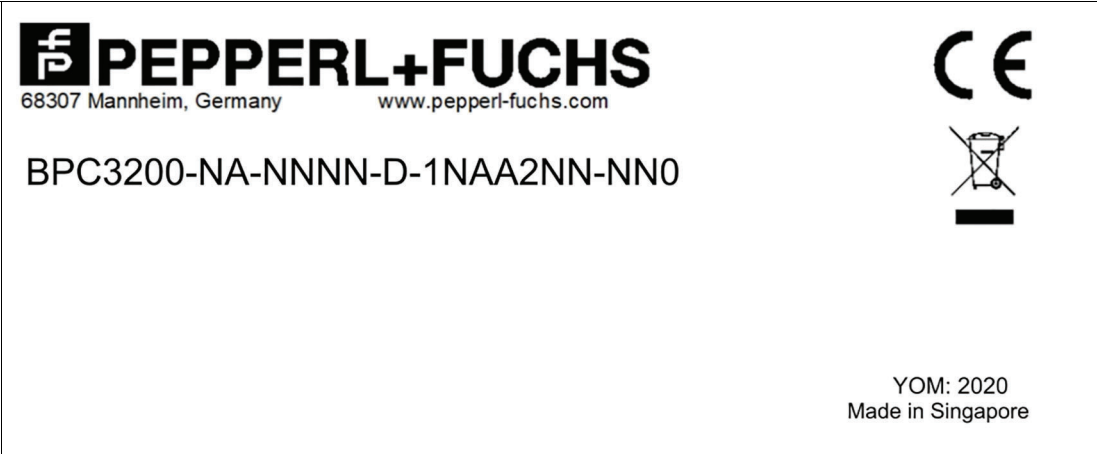


Figure 3.10

(5) Equipotential Bonding

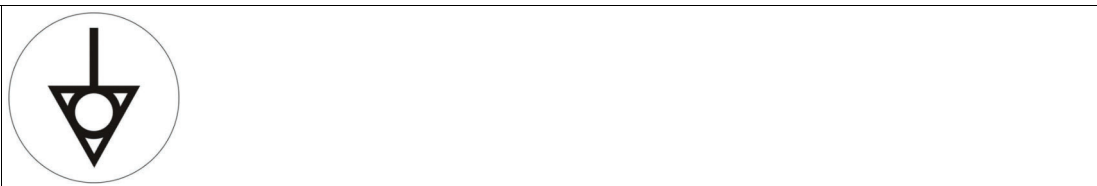


Figure 3.11

(6) AC warning

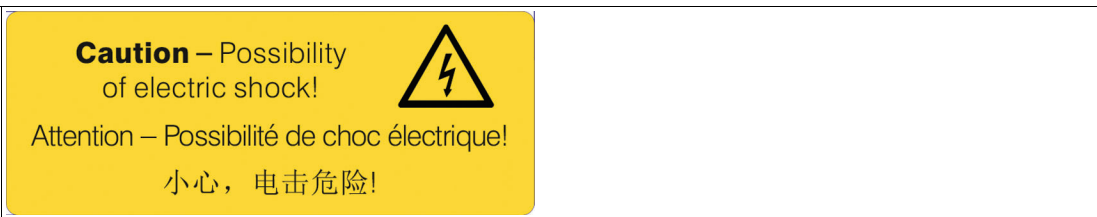


Figure 3.12

(7) PE Symbol (Optional with AC configuration)

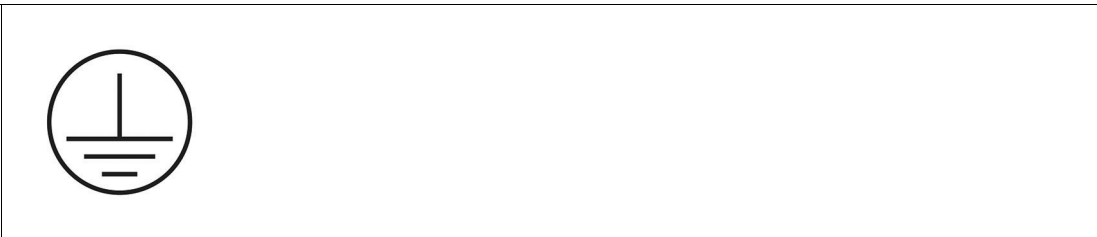


Figure 3.13

(8) Certification label RM-320S-* and PC-320S-*

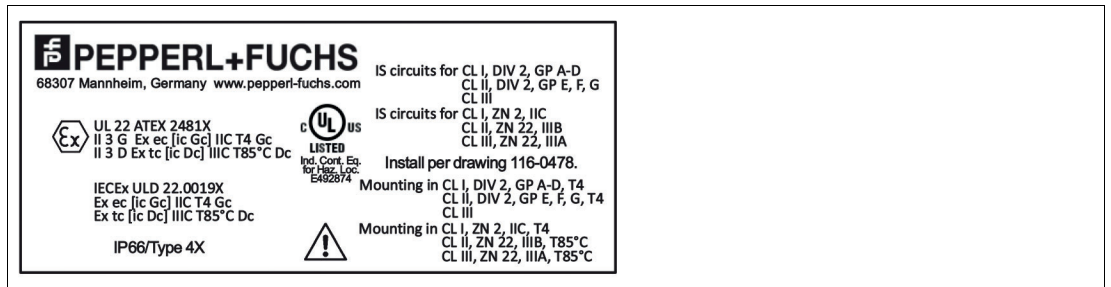


Figure 3.14

(8) Certification label DM-320S-*

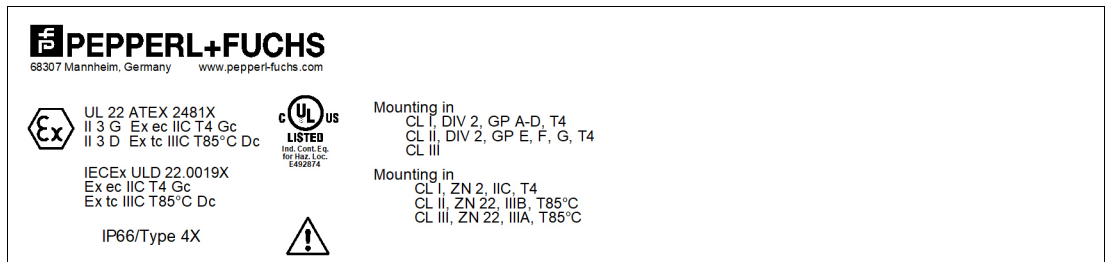


Figure 3.15

4 Mechanical Installation



Note

Recommendation for use: Carry out the installation of the device at the installation location with at least 2 persons.

4.1 Unpacking



Note

Risk of injury!

Handling the VisuNet FLX components without gloves may cut fingers, hands, or wrists.

Wear always gloves during installation.

The VisuNet FLX comes with its core components preassembled. These components consist of a display unit (DPU), optional power supply unit (PSU), and Thin Client Unit (TCU), PC unit (PCU) or Direct Monitor Unit (DMU). If the housing option is chosen, the components come pre-mounted into the housing.



Figure 4.1



Caution!

Scratches and damage!

VisuNet FLX components may become scratched or damaged if they are placed onto or slid across hard surfaces.

**Caution!**

Placing the device on the front can damage operating elements!

If you place the unit on its front before or during installation, the front panel controls may be damaged.

Place the unit on a soft, raised surface so that the front controls do not touch the work surface and are not damaged.

4.2**System Installation****Caution!**

Heat damage!

If the device is exposed to radiation from sunlight or other light or heat sources, it may overheat and be damaged.

Do not expose the device to direct sunlight or other sources of light or heat!

**Caution!**

Use of the device!

The use of the device is only permitted under the ambient conditions (temperature, humidity, vibration and shock) which are specified in the technical data. Failure to comply with any of these conditions void the warranty for the device. Pepperl+Fuchs cannot be held liable for any damage arising from improper use and handling.

**Caution!**

Damage caused by condensation!

If the temperature of the device is different to that of the room in which it is located, condensation can form.

Switch on the device only if it has acclimated to the ambient temperature!

**Warning!**

Ensure that all seals are clean, undamaged, and correctly fitted!

Explosion protection is no longer ensured if a system with damaged seals is used. Never use a system with damaged seals in a hazardous area. If the seal is damaged in any way, return the system to Pepperl+Fuchs at once and replace it with a new one.

4.2.1**General Installation Information**

Observe the following requirements when installing the system components.

- The equipment must be installed by competent personnel in accordance with the instructions. National laws and regulations must be observed.
- The building installation must provide a 20 A overcurrent protection.
- The installer must make a readily accessible disconnect device available.
- The safety of any system incorporating the PSU is the responsibility of the assembler of the system
- Ensure that all seals are clean, undamaged, and correctly fitted
- Keep the device away from arc-generating devices such as magnetic switches and non-fused breakers. Avoid using the device in environments where corrosive gases are present.
- Install the VisuNet FLX in a location providing a minimum clearance of 10 mm (0.39 in.) or more on the left and right sides, 50 mm (1.96 in.) or more on the rear side, and 100 mm (3.93 in.) or more above and below the product from all adjacent structures and equipment.
- Install the device with sufficient clearance to provide for cable routing and cable connectors.

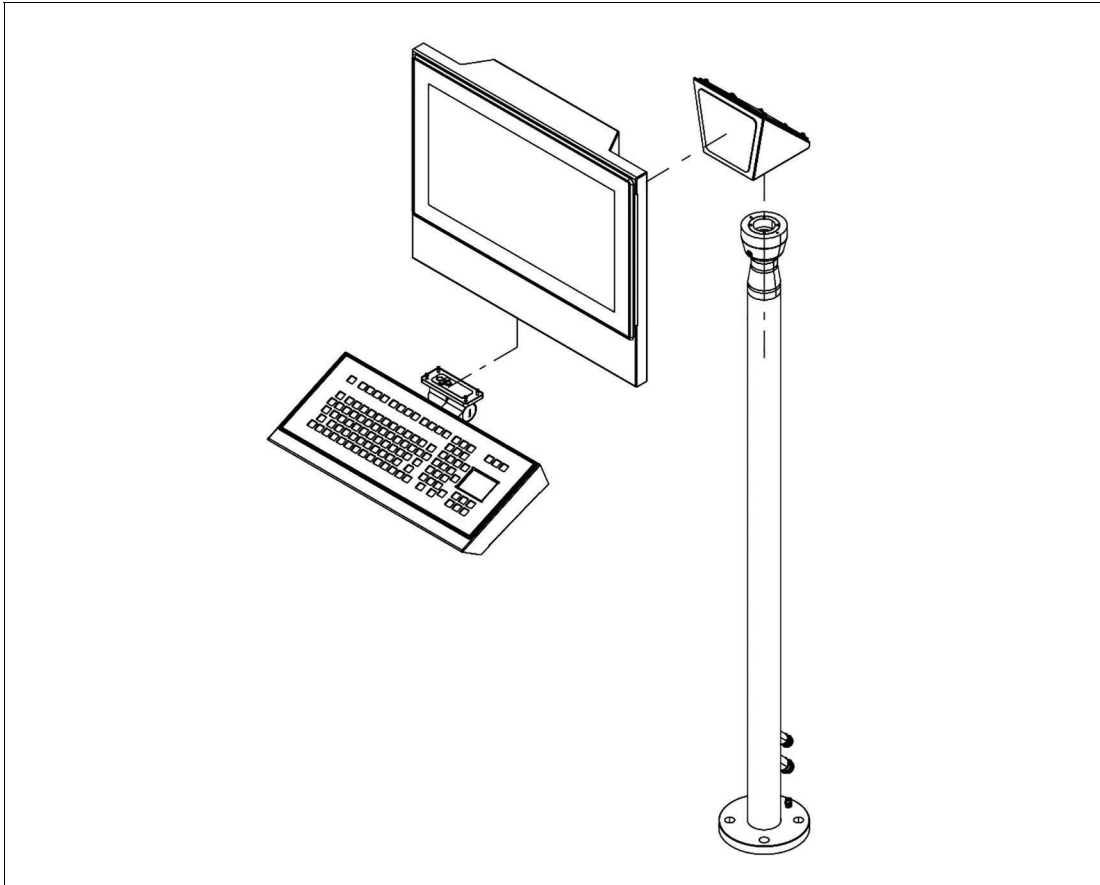


Figure 4.2 Adapter, pedestal and peripherals as keyboard must be ordered separately

Included with Delivery

- Preassembled VisuNet RM-, PC- or DM- FLX System, pre-mounted into AG-3200-* housing
- 1x Field Connector RJ45 (must be assembled by customer)



Figure 4.3 Field Connector RJ45



Note

Refer to the documentation of the supplier on how to mount the RJ45 Field Plug Pro: [Link](#)



Figure 4.4 Sleeves

- 6x long threaded sleeves (4 are already in use to fix the housing)
- 8x short threaded sleeves
- 14x M16 blind plugs with sealing
- DC terminal block in case of DC configuration

Items Ordered Separately

- Pedestal that is compatible with AG-3200-* housing (PEDESTAL-3200-*)
- Pedestal adapter
- Optional: EXTA4-* keyboard
- Optional: IDM Barcode Reader
- Optional: Spare part housing blind plugs - GMP

4.2.2 Space Requirements



Note

Operating temperature must be considered. Customer must ensure suitable air circulation!

4.3 Preparing for Pedestal Installation

For floor mounting, the preferred installation option uses PEDESTAL-3200-* with either two or three cable glands. The pedestal is shipped with a pre-installed rotating coupling with four bolts and a PB wire, which is attached to the pedestal tube.



Warning!

Proper floor mounting!

It is the installer's responsibility to select a suitable location with sufficient strength to hold the equipment. It is the installer's responsibility to select the proper screws based on the installation conditions.



Note

An additional mounting adapter is necessary and must be ordered separately!

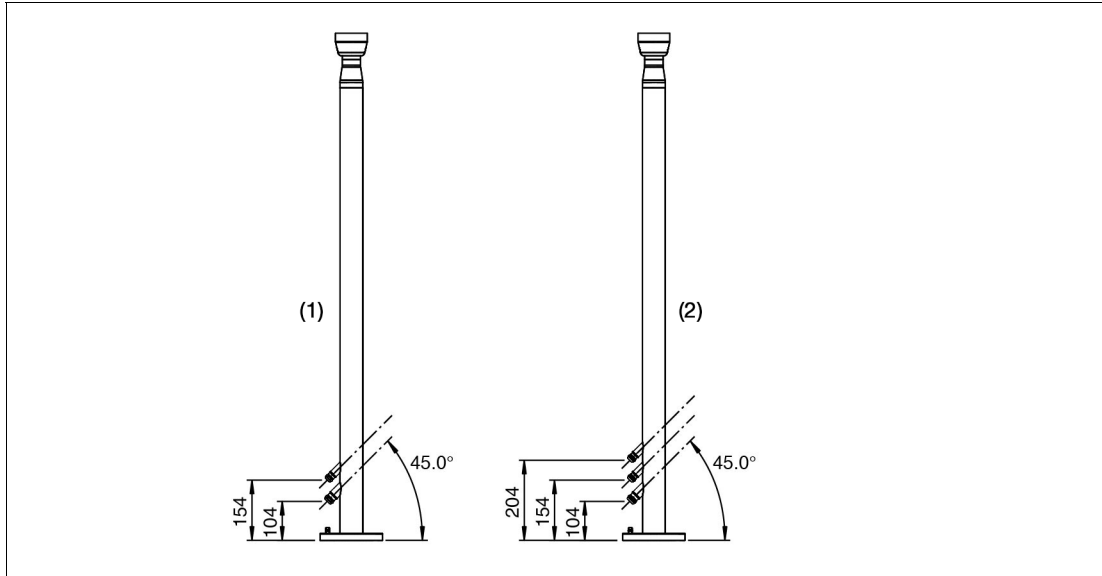


Figure 4.5

No.	Description
1	PEDESTAL-3200-131-2-304B-T-N0 with 2 cable glands
2	PEDESTAL-3200-131-3-304B-T-N0 with 3 cable glands



Preparing the Pedestal for Connection to the Housing

1. The pedestal must be firmly screwed to the floor.
2. Bend the PE wire with a max. radius of 20 mm and place it within the pedestal tube.



Warning!

Damage to the PB protective (equipotential) bonding wire!

The PB wire may become damaged if it gets stuck between the pedestal and the adapter. Bend the PB wire in such a way that it does not get stuck between the pedestal and the adapter.



Installing the Adapter to the Pedestal

1. Remove the cover of the adapter plate.
2. Align the pedestal centrally – determine the center by turning it to the right and left stop. Then align it at right angle to cable glands at the bottom of the pedestal.

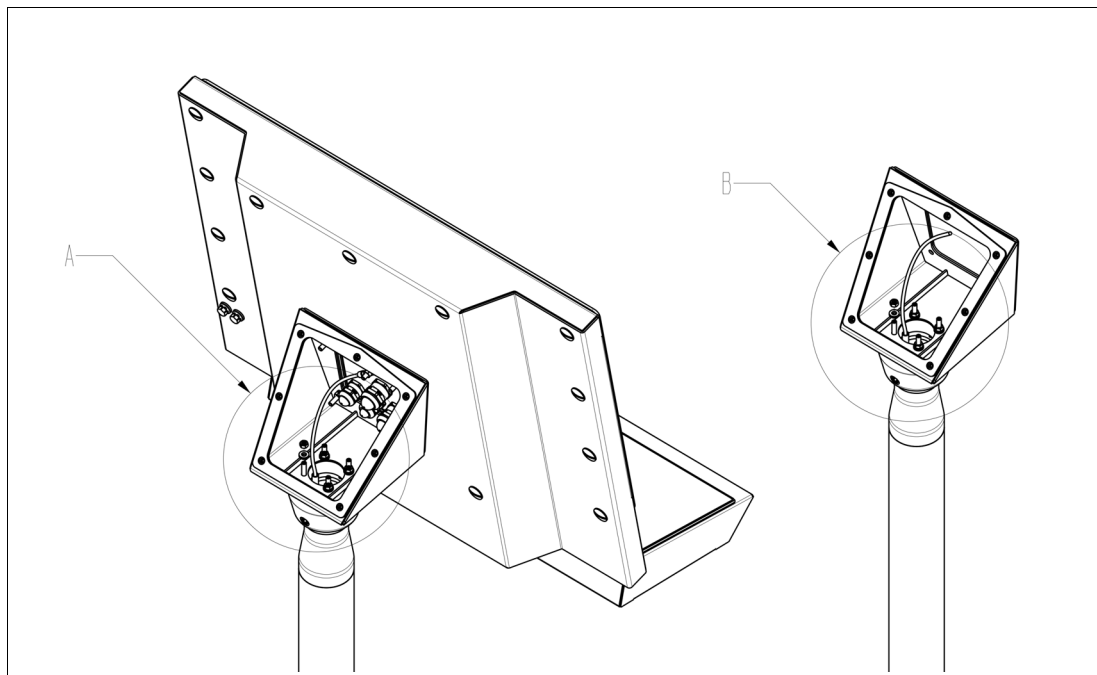


Figure 4.6 The pedestal comes with a preinstalled equipotential bonding cable.

3. Screw the adapter tight with 4 Nm.

4.4 Mounting the Housing onto the Pedestal



Warning!

Risk of injury!

Lifting the device on your own may lead to injury. Do not attempt to lift the device on your own. Use a crane or get another person for help.

Required Components

- Prepared pedestal that is properly secured to the floor
- Installed Mounting Adapter to pedestal
- VisuNet FLX pre-assembled in an AG-3200-* housing

Required Installation Tools

- 8-mm socket wrench for attaching PE hardware and housing screws
- 10-mm flat wrench for nuts on pedestal set screws
- Open-ended wrench for cable glands (cable gland installation tool)
- Safety gloves



Attaching Housing to Pedestal

1. Carefully turn the housing so that the display is facing up.
1. Using a crane or with the help of another person, place the housing onto the adapter so that the System Housing bolts align with the adapter slots and the housing rests on the adapter. Tighten the M5 washers onto the system housing bolts in a criss-cross pattern using a torque of 2.3 Nm.

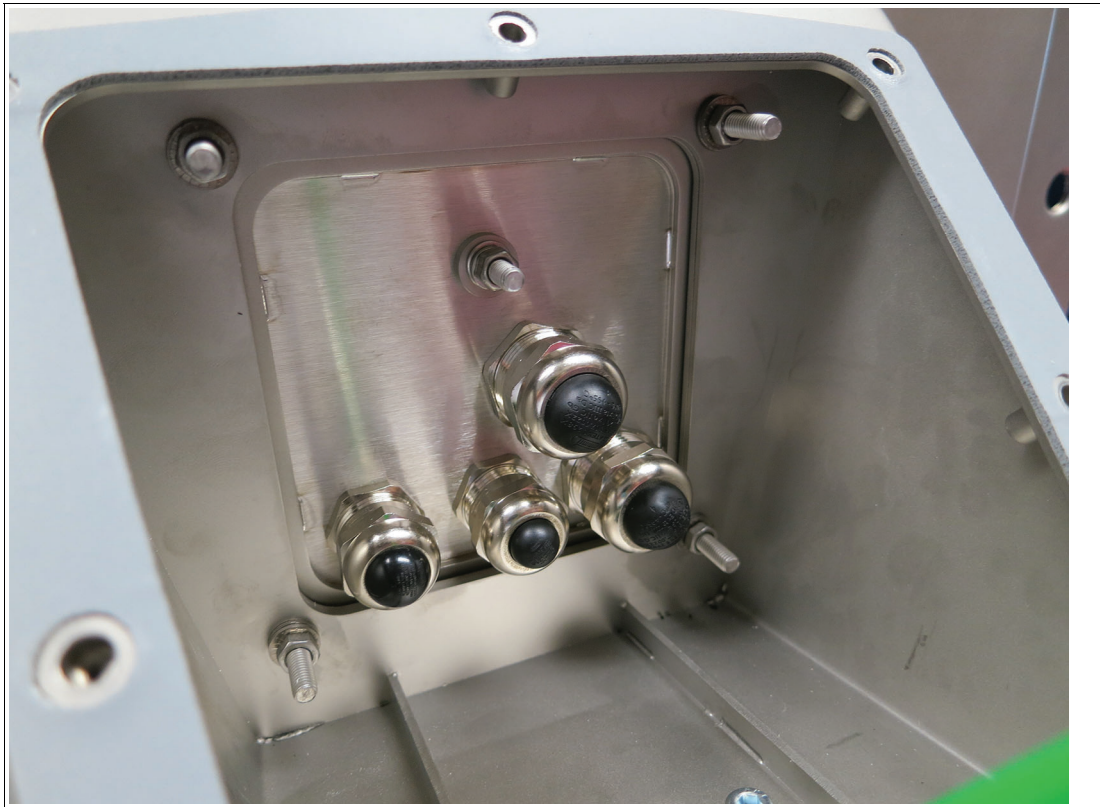


Figure 4.7 Tighten the four nuts with 2.3 Nm

4.5 Mounting the Housing with 0° Tilted Mounting Adapter

When using the 0° mounting adapter, a shorter bolt is required on the lower position to enable mounting. Please replace one of the 6 bolts with the shorter bolt as illustrated.

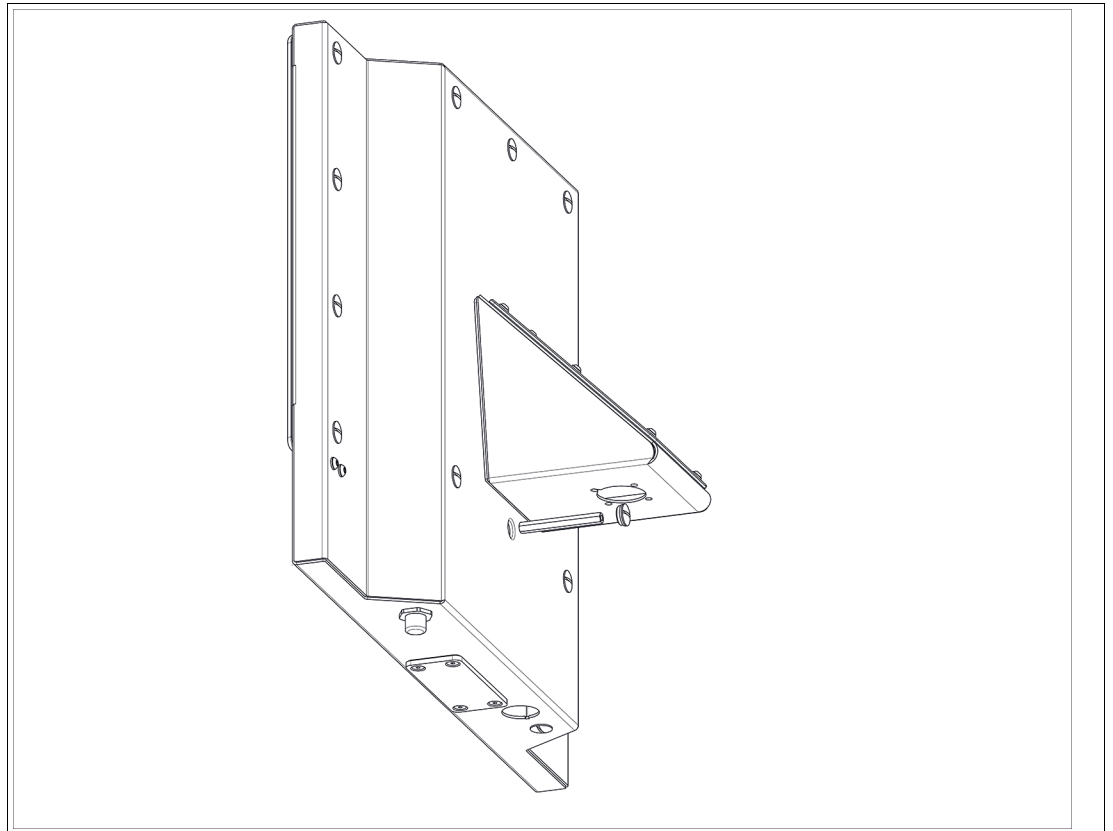


Figure 4.8 Position of the shorter bolt

4.6 Open the Housing



Opening the VisuNet FLX System AG-3200-* Housing

1. Remove the 4 threaded sleeves from the back of the housing.
2. Remove the DPU from the housing and carefully lock the retaining feet on the lower part of the housing into the brackets provided.
3. Slowly lower the DPU.
4. Hook the housing cover into the upper side of the housing. Make sure that both sides are hooked in.

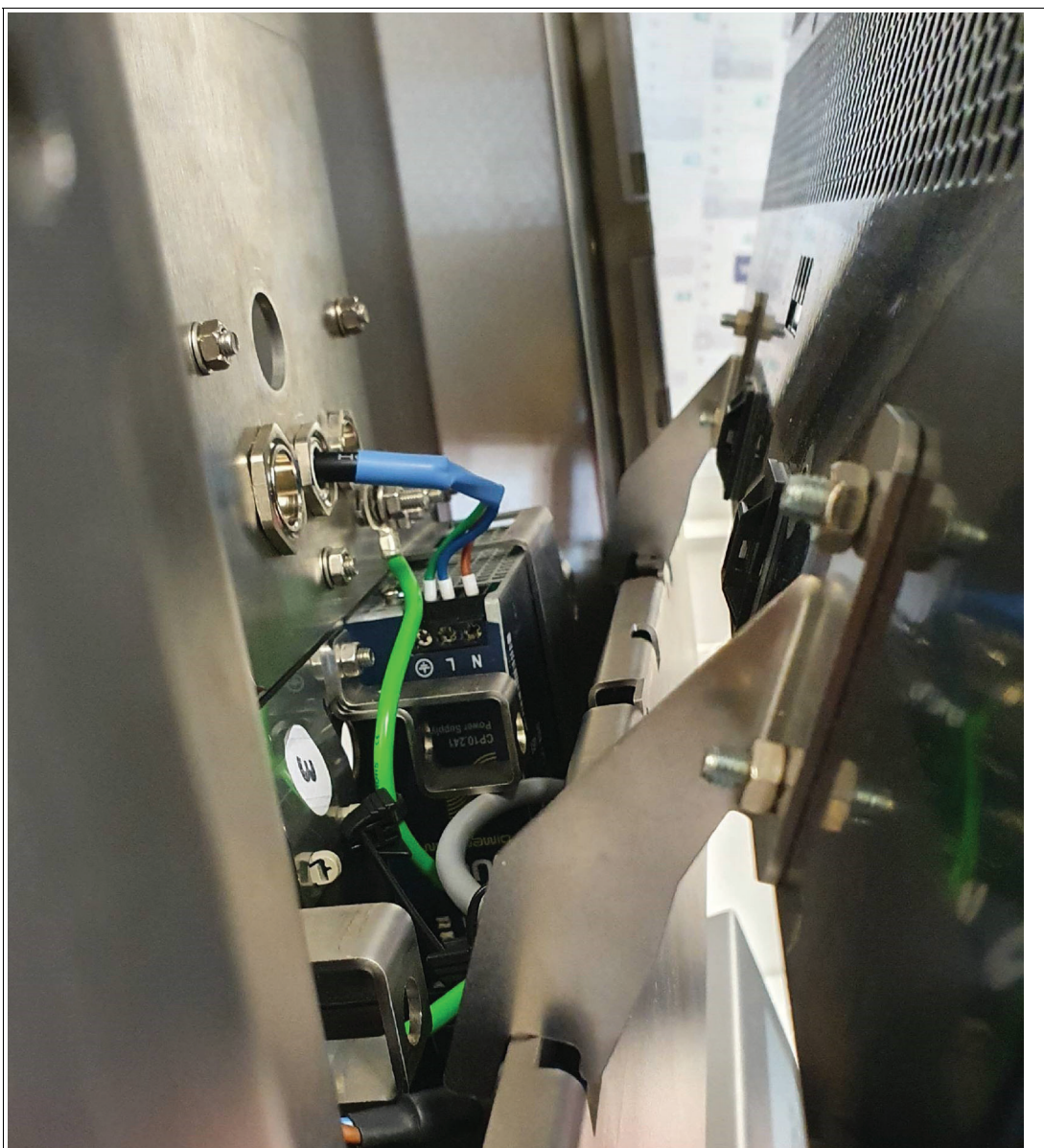


Figure 4.9

5. Tip the display panel toward you until the display comes to rest at its fully opened position and the safety lines are stretched out.



Figure 4.10 The safety lines hold the display when fully extended

4.7 Installing Cables in the Pedestal



Warning!

Pinched cables!

Ensure that cables do not get pinched or damaged during installation.



Note

Refer to the manuals of the individual components for information on electrical installation and wiring.

Required Installation Tools

- Cable gland installation tool
- Small cable ties
- Side cutters

All tools should be torque controlled if a torque is specified.

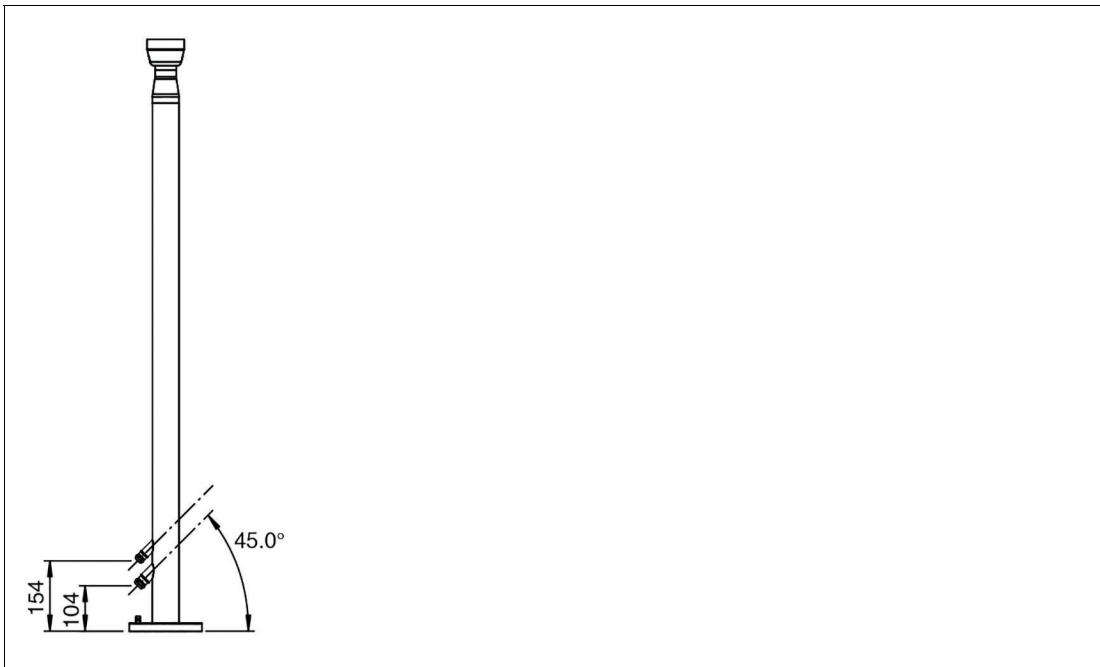


Figure 4.11

Pedestal with two Cable Glands

No.	Opening size
1	M20
2	M16

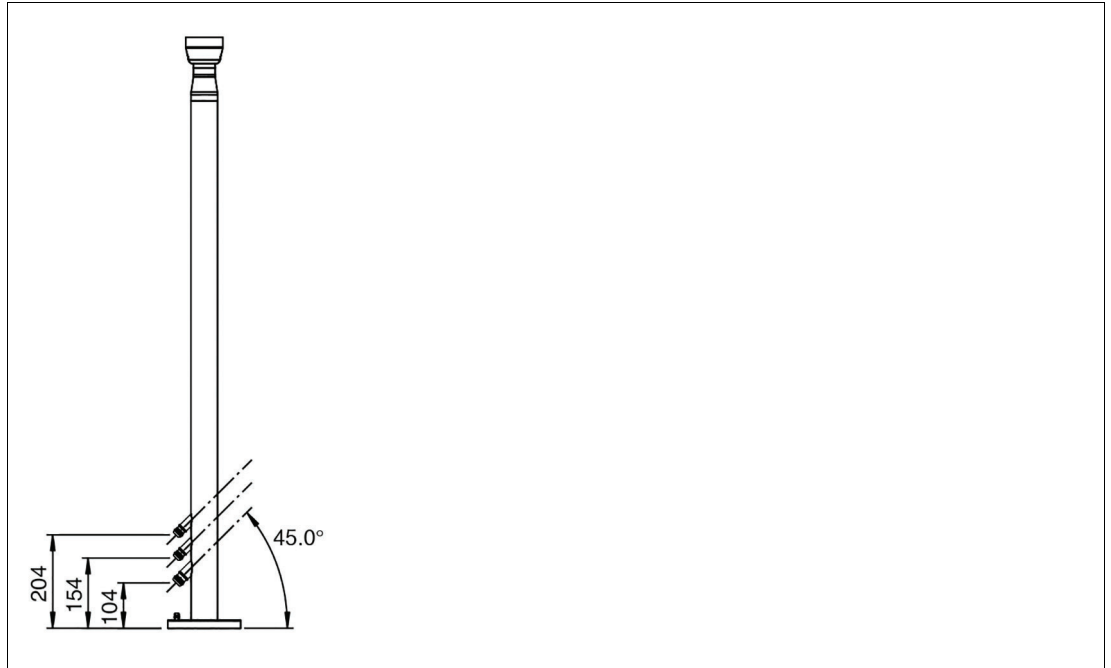


Figure 4.12

Pedestal with three Cable Glands

No.	Opening size
1	M20
2	M16
3	M16

Opening/Wrench Size, Cable Diameter, and Torque

	Wrench size	Cable diameter	Torque
M20	24 mm	7 .. 12 mm	10 Nm
M16	20 mm	3 ... 7 mm	5 Nm
M16	20 mm	6 ... 10 mm	5 Nm



Installing Cables

1. Based on how many cables and openings are required (i.e., power and Ethernet), remove the appropriate number of cable glands at the bottom of the pedestal.



Figure 4.13

2. Put the gland nut and ferrule of the cable gland on the cable and slide them a few meters down the length of the cable away from the pedestal. Keep the nut and ferrule on the cable. They are tightened in a later installation step



Figure 4.14

3. Feed the pull wire (thin, 2.5-m-long wire for pulling cables through pedestal) through the top of the pedestal and out the appropriate cable entry.
4. Attach the cable to the pull wire.



Figure 4.15

5. Pull the cable through the pedestal so that 50 cm of the cable is hanging out of the top of the pedestal.

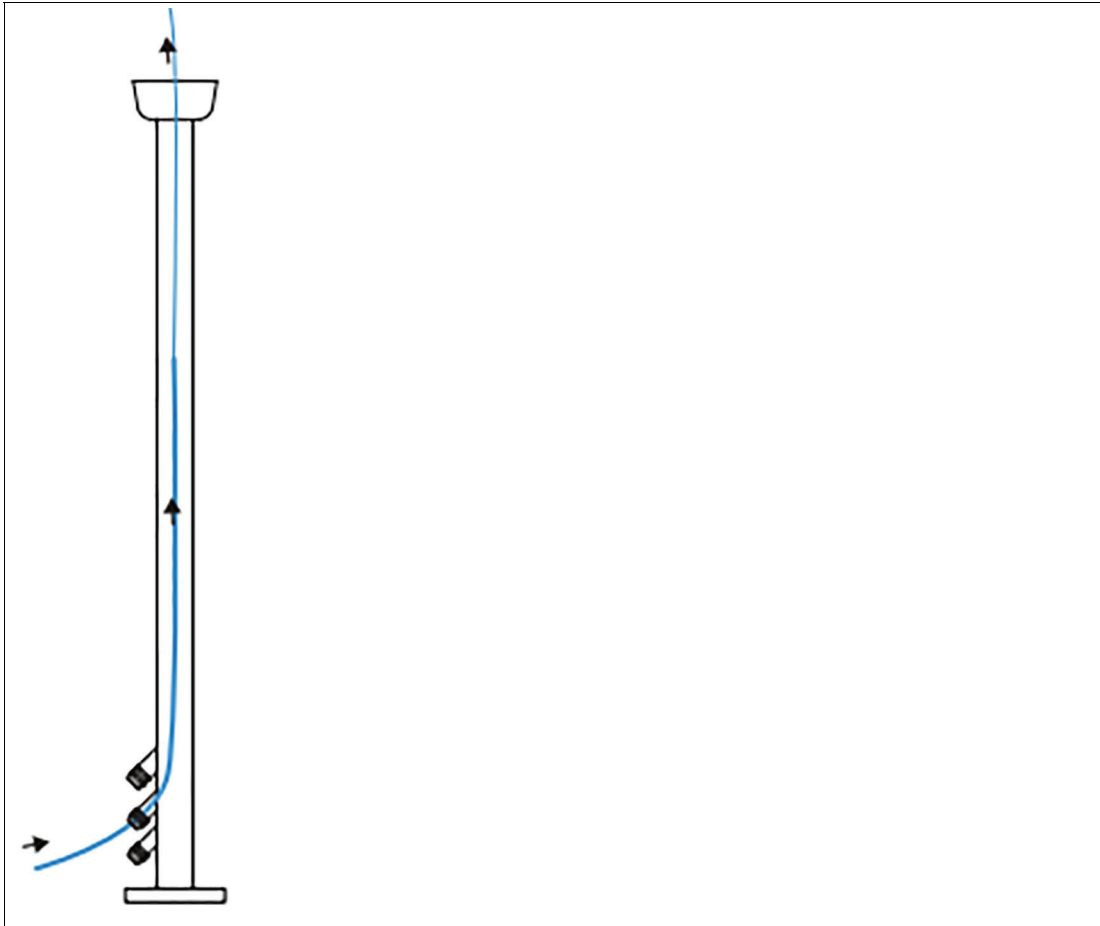


Figure 4.16

6. Repeat the preceding steps for each cable that must be routed through the pedestal.
7. Route the cable through the cable glands of the system housing.

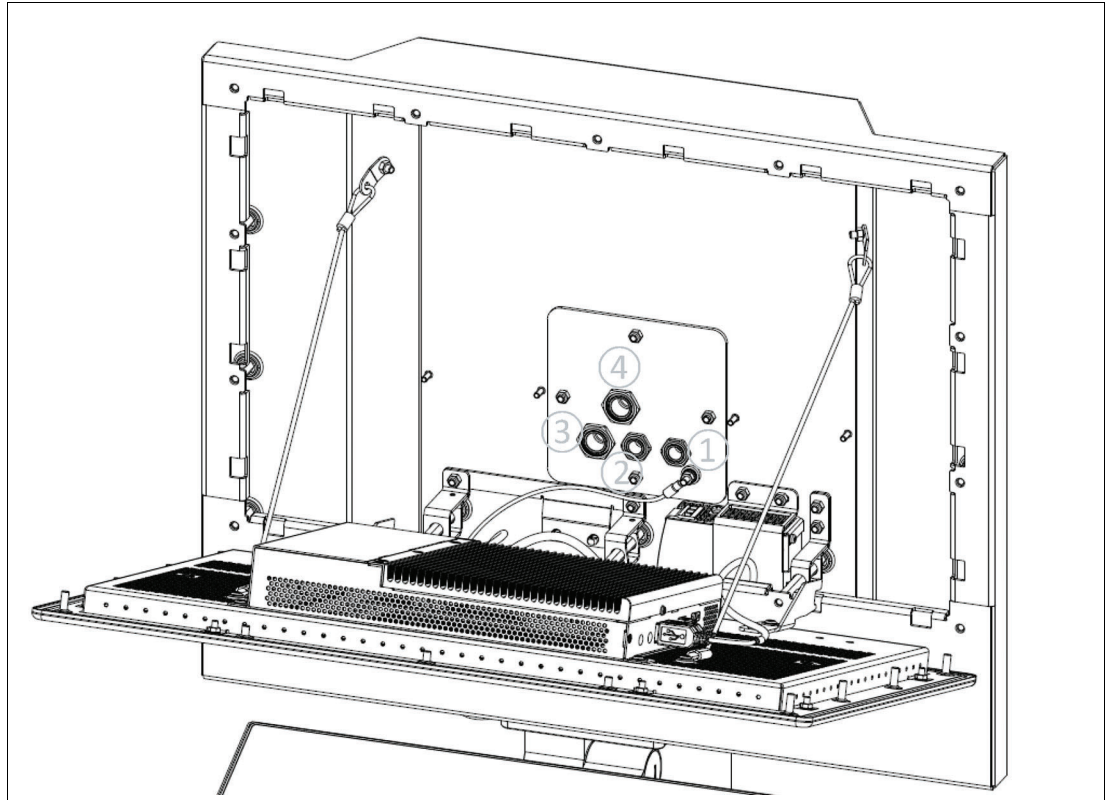


Figure 4.17

No.	Description	Size
1	Dual Ethernet	M16 (Ø 6-10 mm)
2	Dual Ethernet	M16 (Ø 3-7 mm)
3	Power	M20 (Ø7-12mm)
4	Spare for additional connection	M20 (Ø7-12mm)



Note

To get the cables through the cable glands, the insulation must be in place. Remove the insulation only inside the housing.

**Note**

Cables must be long enough to pull in a loop, before fixation.



Figure 4.18

**Note**

For detailed information on the equipotential bonding of the device refer to chapter **Equipotential Bonding**.

For detailed information on connecting the installed cables to system refer to chapter **Interfaces of the system**.

For detailed information on the different interfaces refer to the BPC3200-* manual.

4.8 Closing the AG-3200-* Housing

Required Tools

- Socket wrench with slotted screwdriver bit



Procedure

1. Slowly lift the DPU into an upright position until the bolts touch the inner frame of the housing.
2. Lift the display, so that the hooks are positioned behind the housing frame.
3. Press the DPU and housing together at the top end of the system. From the back of the housing, place one threaded sleeve in the hole at the upper-left corner and one threaded sleeve in the hole at the upper-right corner of the housing.
4. Tighten the two threaded sleeves with a torque of 4 Nm.
5. Repeat the previous step with all other threaded sleeves, following a diagonal pattern.
6. Screw the screws with the seal into the housing.
7. Tighten them all up with a torque of 2 Nm.



Optional: Use the Spare Part Housing Blind Plugs for Strict GMP Requirement

SPAREPART-AG-320S-BP-P1 (#70136529)
Follow above mentioned steps 1 to 5.

1. Screw the pharma blind plugs with the seal into the housing.

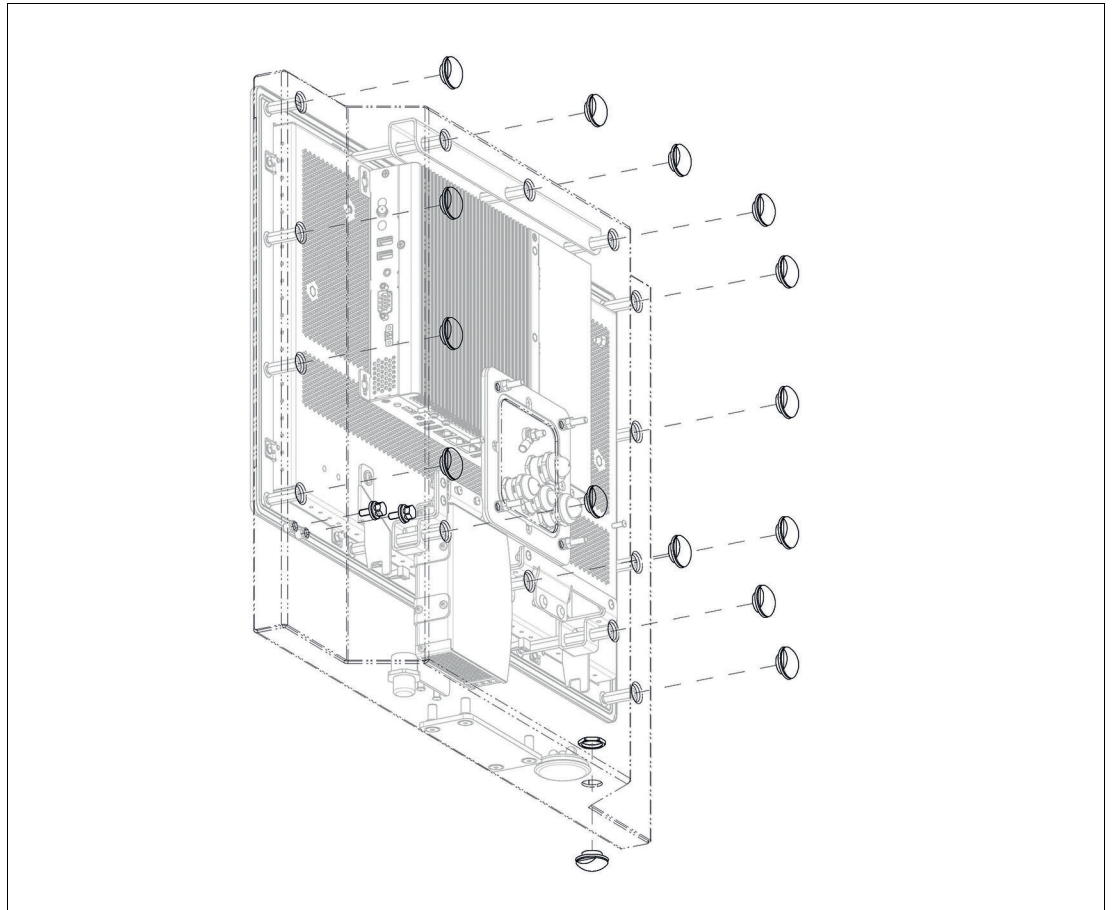


Figure 4.19

2. Tighten them all up with a torque of 2 Nm.
3. Exchange the blind plugs on the right site of the back of the housing with the enclosed pharma M5 screws. Tighten them up with a torque of 4 Nm.

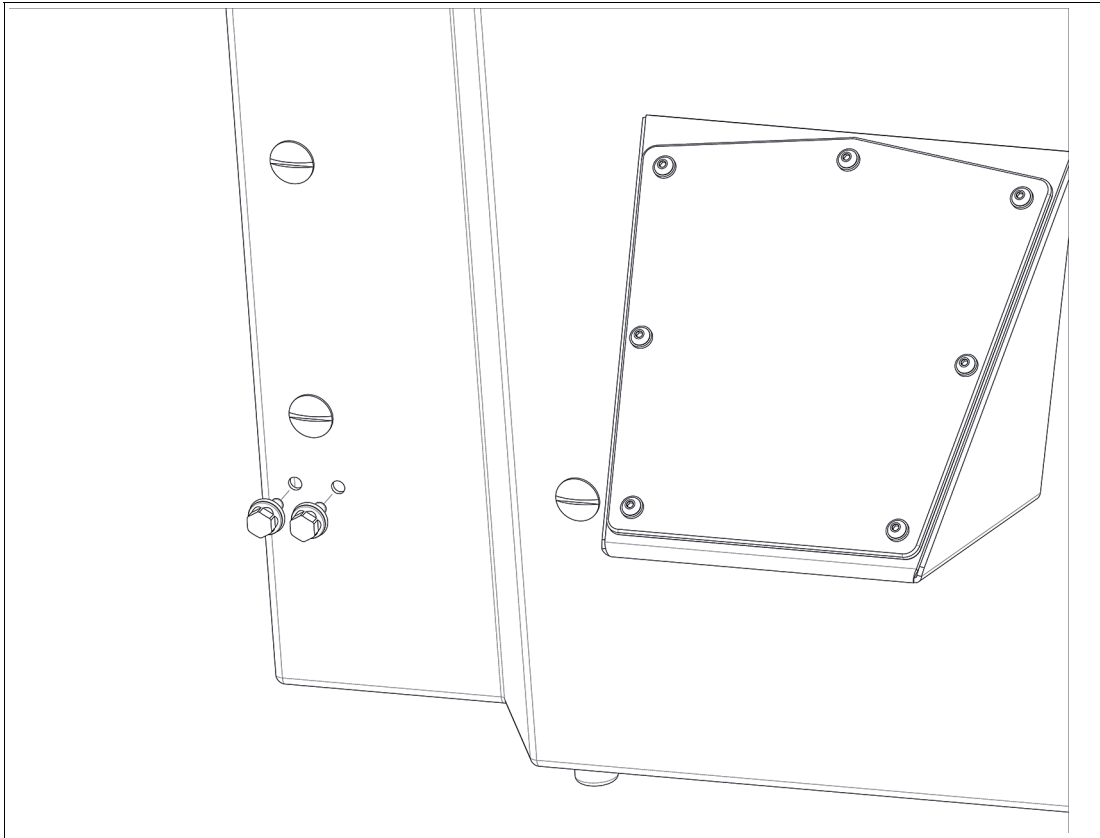


Figure 4.20



Caution!

Foreign bodies!

Keep the housing doors and openings permanently closed, so that no foreign bodies accumulate in the workstation.

4.9

Wall Mount Installation



Warning!

Proper installation on the wall!

It is the installer's responsibility to select a suitable location with sufficient strength to hold the device. It is the installer's responsibility to select the proper screws based on the installation conditions.

Required Components

- Pre-assembled VisuNet FLX PC-, RM-, DM- mounted into AG-3200-* housing (H1- or P1-Housing Option)
- Wall bracket adapter (WALL-BRACKET-3200-304A-N0) for wall mounting installation compatible with AG-3200-* housing (H1- or P1-Housing Option)
- Optional EXTA4-* keyboard/mouse

Required Installation Tools

- 8-mm socket wrench for attaching PE hardware and housing screws
- Safety gloves



Wall Mounting

1. Use the hole pattern to install the bracket to the wall.
2. Connect the PB wire from the field to the PB stud on the wall bracket.
3. Mount the VisuNet FLX to the bolts on the wall bracket. With the DPU hinged down, route cables through the cable glands in the wall bracket.
4. A cable tie socket could be used to attach the cables.
5. Cables can be routed from the top through the cutout in the wall bracket or from the bottom.



Note

Connect the equipotential bonding of the AG-3200-* housing to the Wall Bracket. The AG-3200-* housing equipotential bonding is indirectly via the wall bracket connected. It does not require an extra PB wire between housing and wall bracket.

4.10 Wall Mounting for Scanner Barrier

The adapter WALL-MOUNT-3200-10-304A-M12 is designed for direct wall mounting for zone 2 scanner barrier. It is prepared for IDM Barcode Readers and is compatible to the housing AG-3200-*. To install the barrier, follow these steps:



Installing VisuNet FLX Wall Mounting Adapter for Scanner Barrier

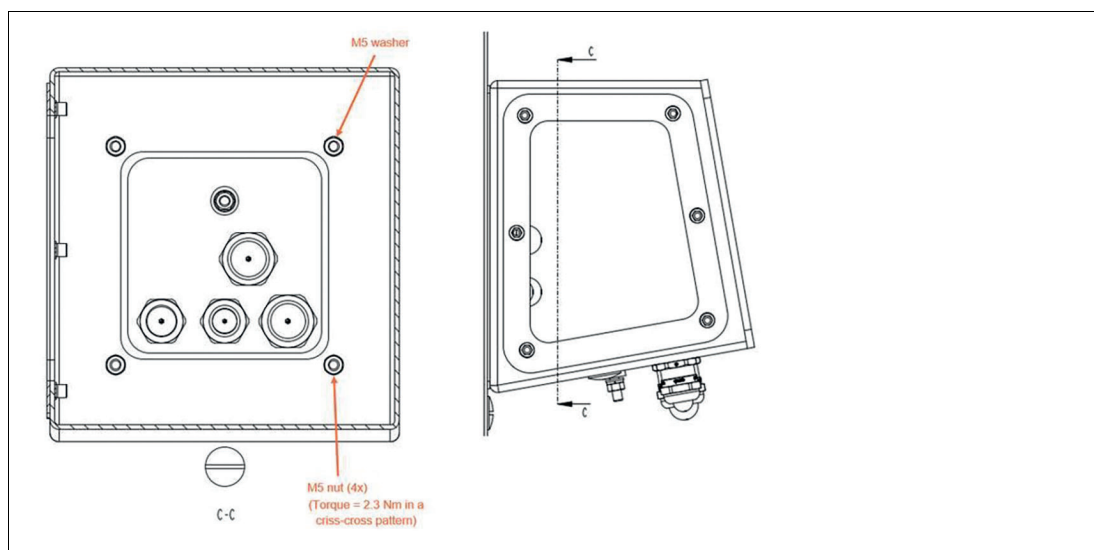


Figure 4.21

1. Remove cover.

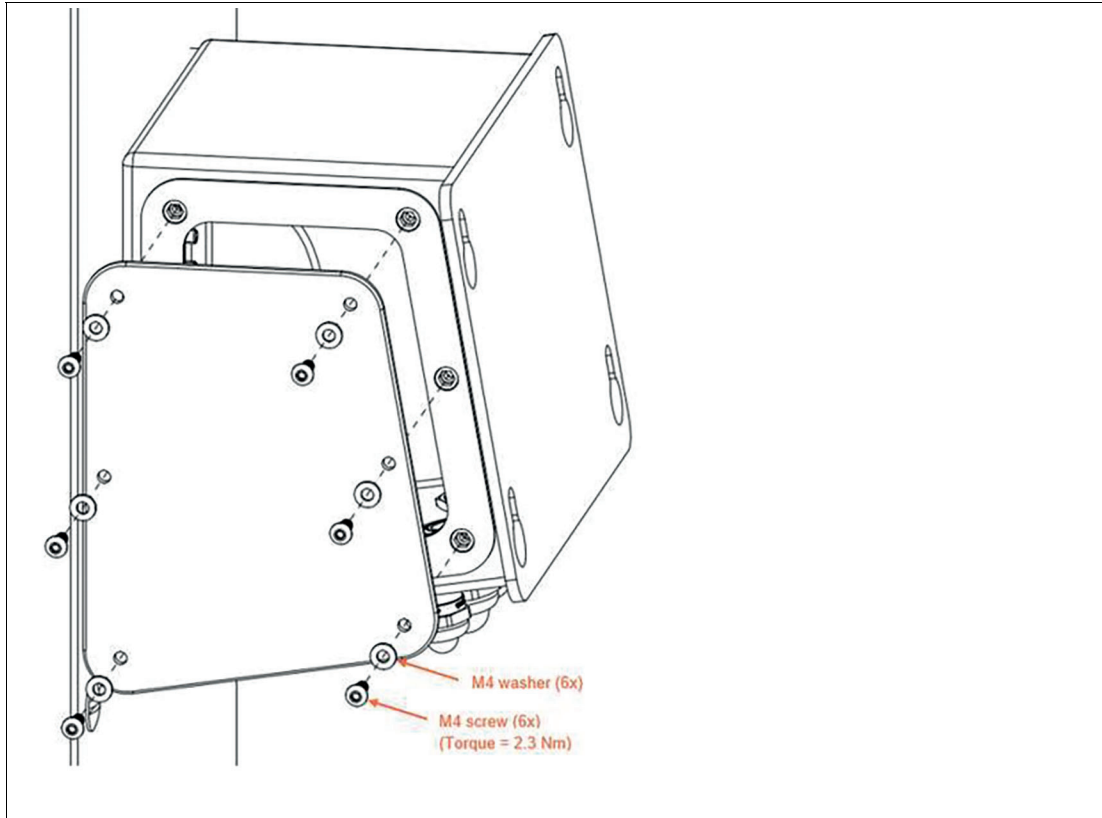


Figure 4.22

2. Remove M16 blind plug. In same hole, install the M12 socket. Tighten the M12 socket with 0.6 Nm. The lock nut of the coupling in the adapter with 2 Nm.
3. Install ground cable in position shown.



Note

This step can also be performed last.

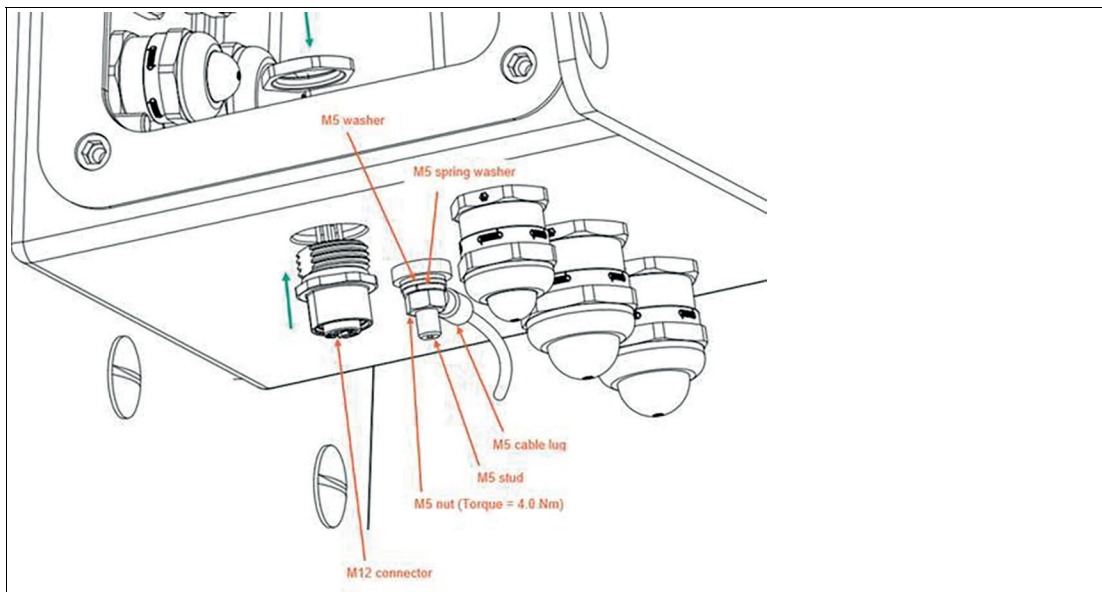
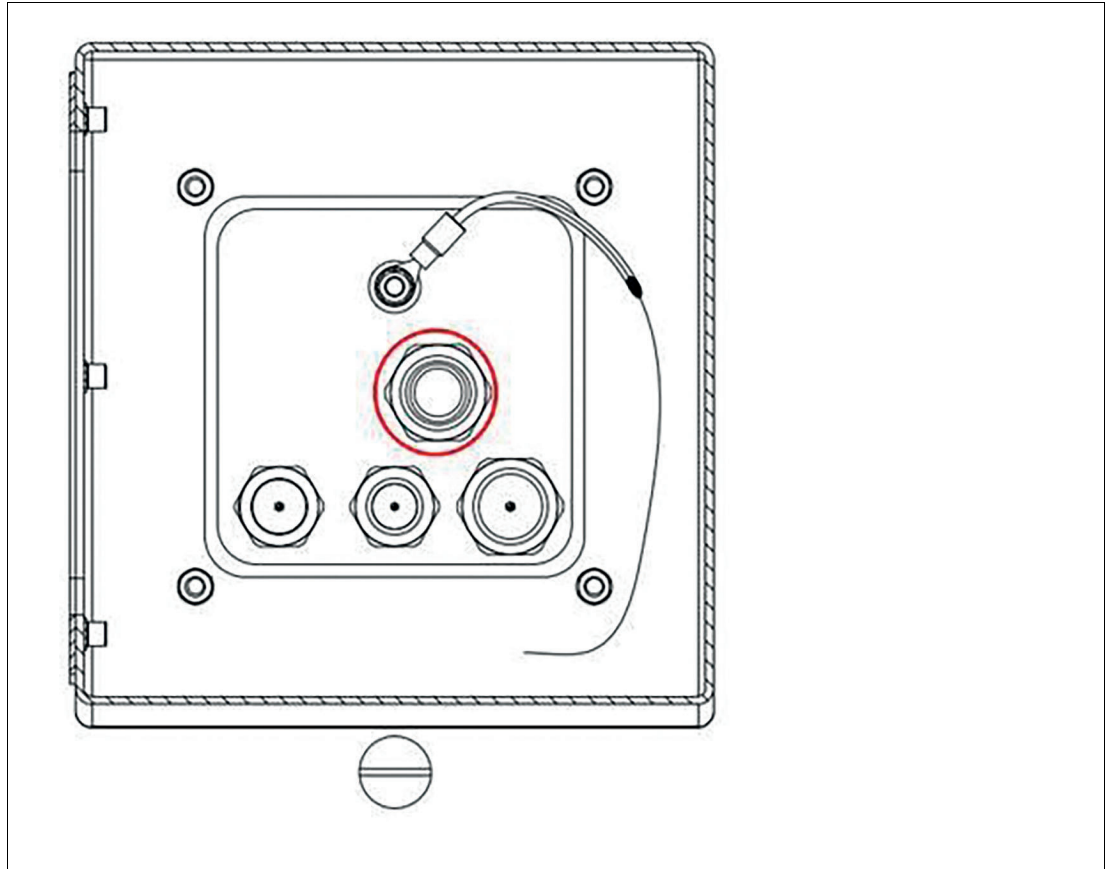
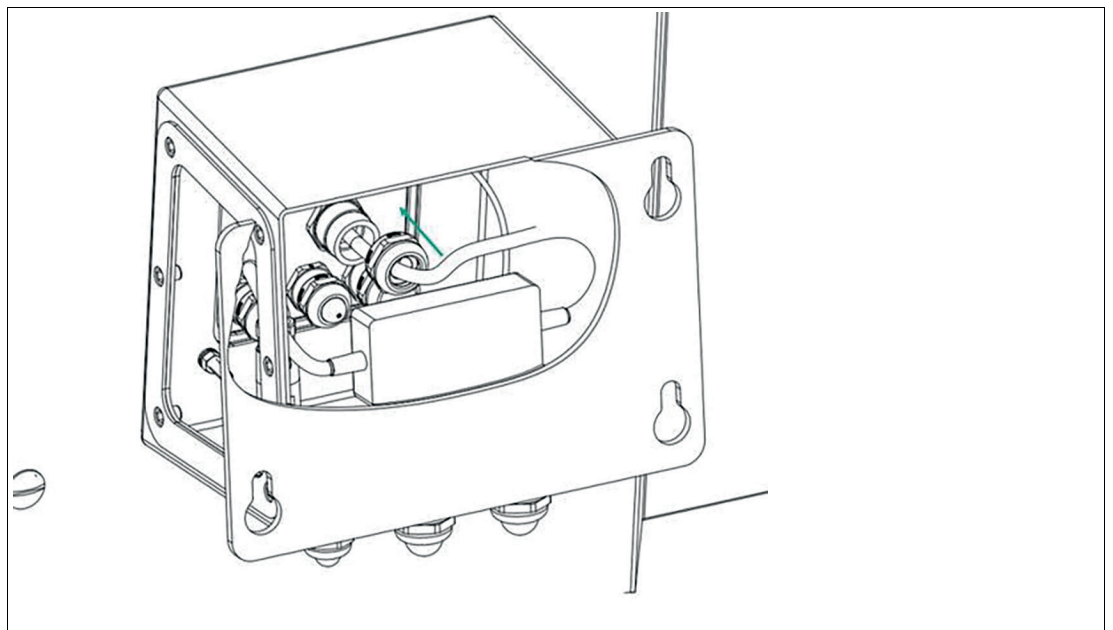


Figure 4.23

4. Remove cable gland No 4 (M20 Ø7-12 mm). By this point, the DPU should be in the open position.



5. Fix the integrated cable gland of the supply cable in the section that has become free. Fix it with a torque of 12 Nm.



6. Connect the M12 plug of the supply cable to the connector in the adapter and tighten it firmly.

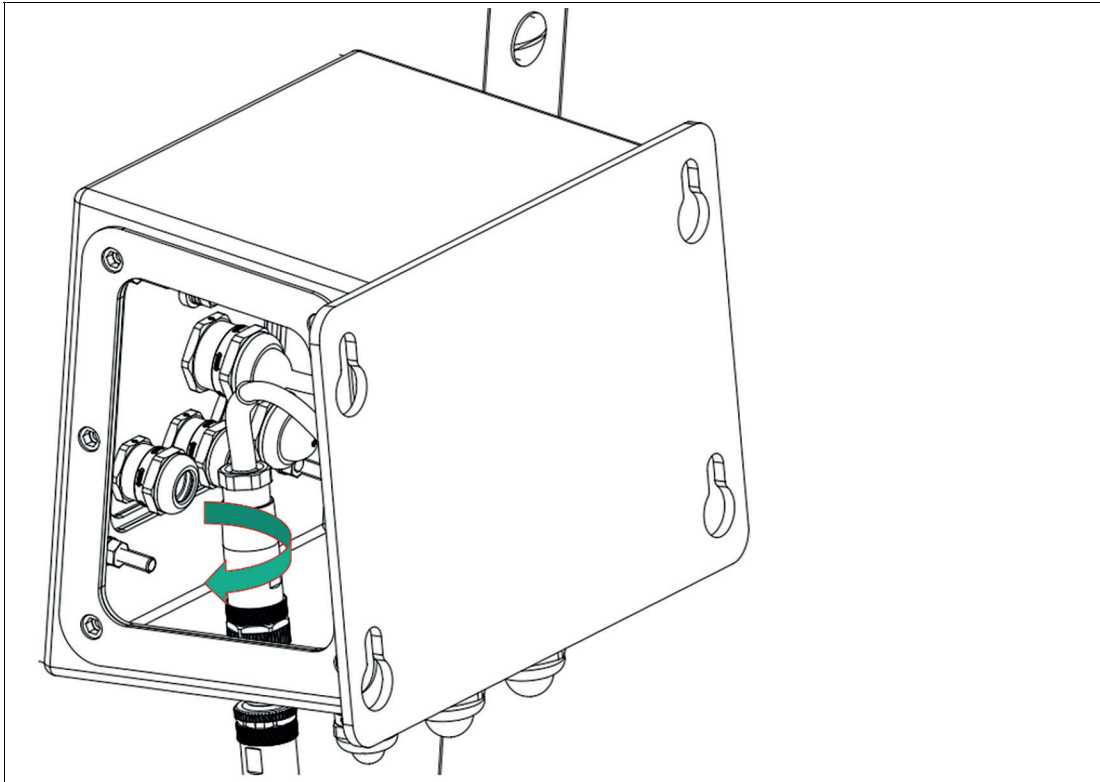


Figure 4.24

7. Bend the cable as shown in the following picture.

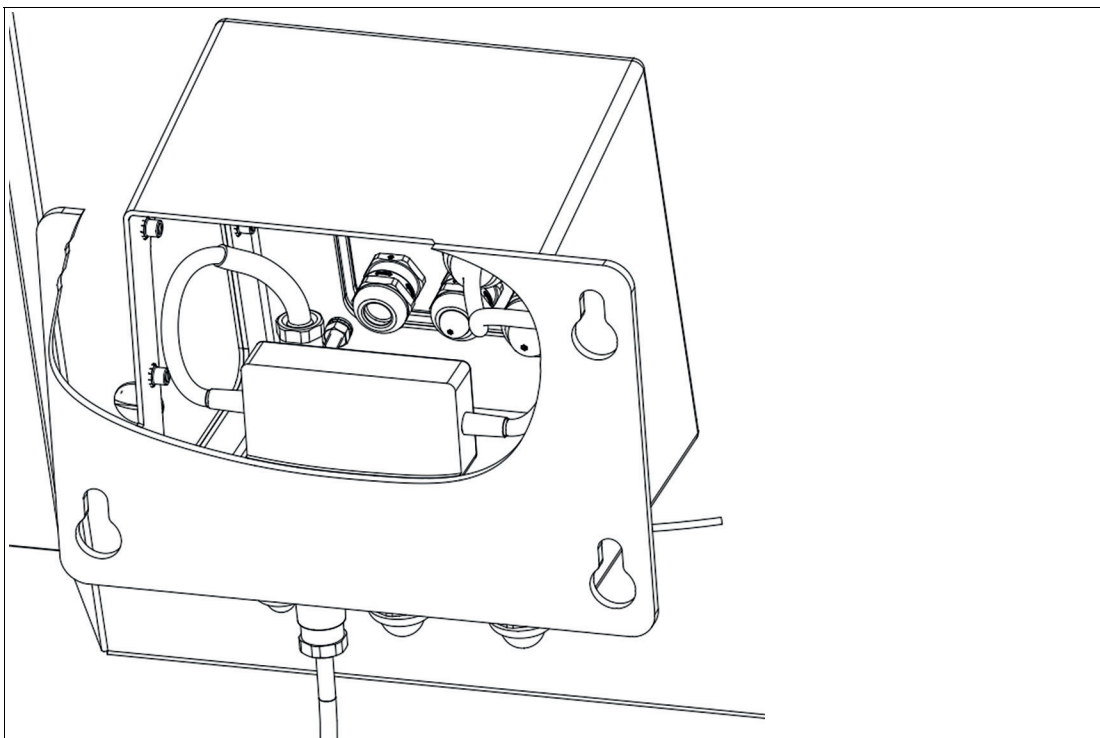
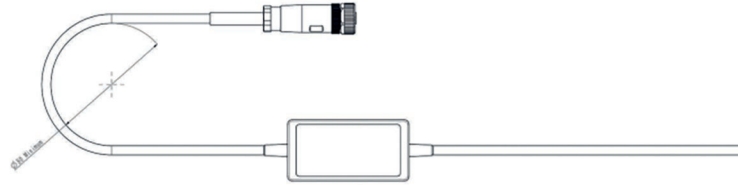


Figure 4.25



Warning!

Bending radius must be maintained. The minimum allowed bending radius is Ø80mm.



8. Place the USB supply cable with the Velcro tape on the left side of the inner side of the adapter.
9. Connect the USB connector of the supply cable to the BPC3200-*

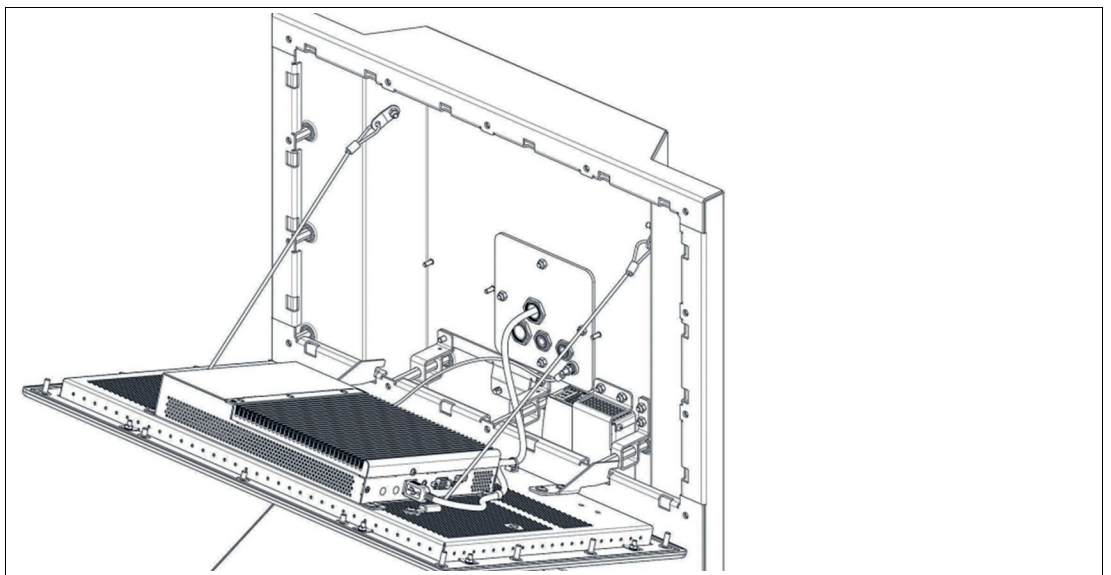


Figure 4.26

10. Position of barrier inside back surface of adapter:

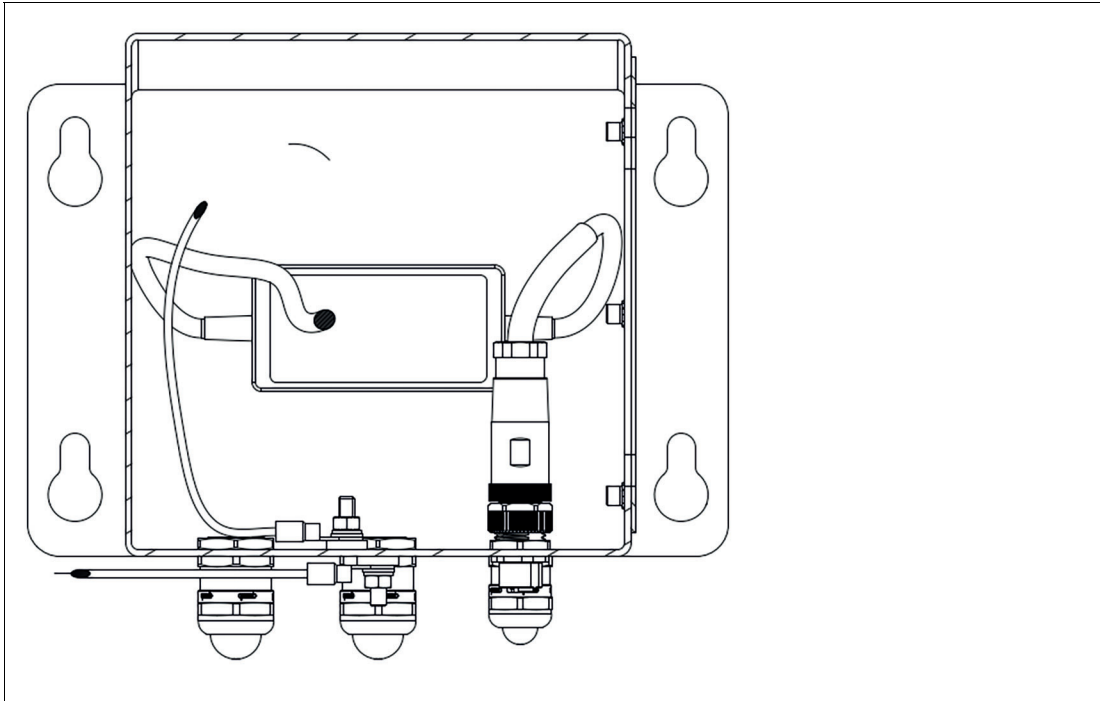


Figure 4.27

11. Connect the plug of the barcode reader connection cable or base station connection cable to the M12 connector of the adapter and tighten it firmly.

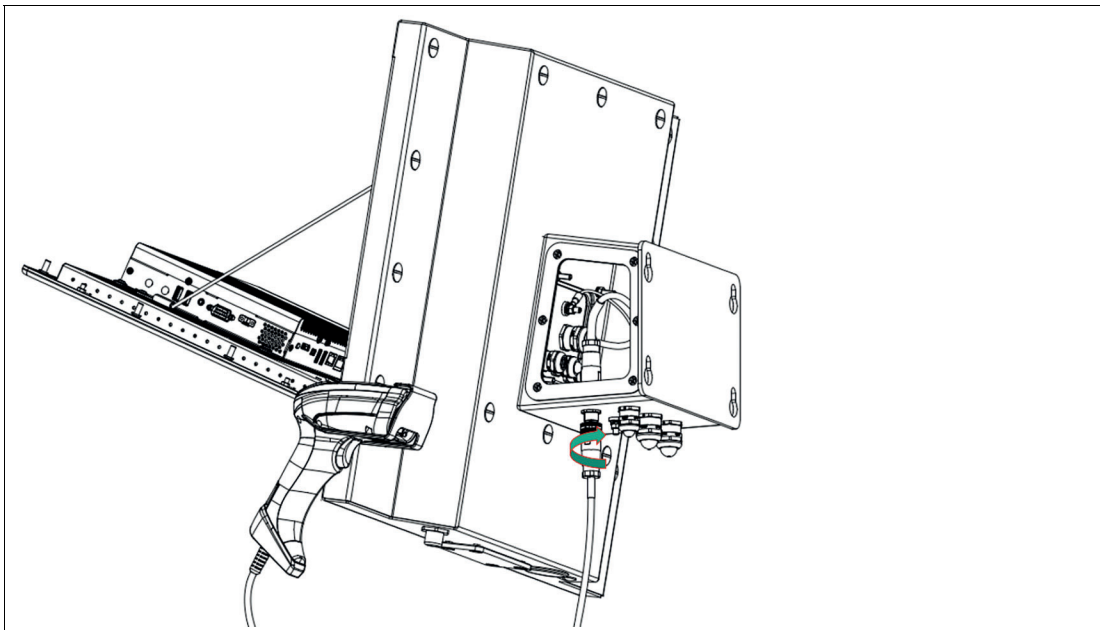


Figure 4.28



Note

The plug and socket are keyed. Match the key on the plug to the slot on the socket before tightening:

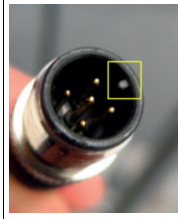


Figure 4.29

↳ After mounting the adapter for the VisuNet FLX it should look like this:

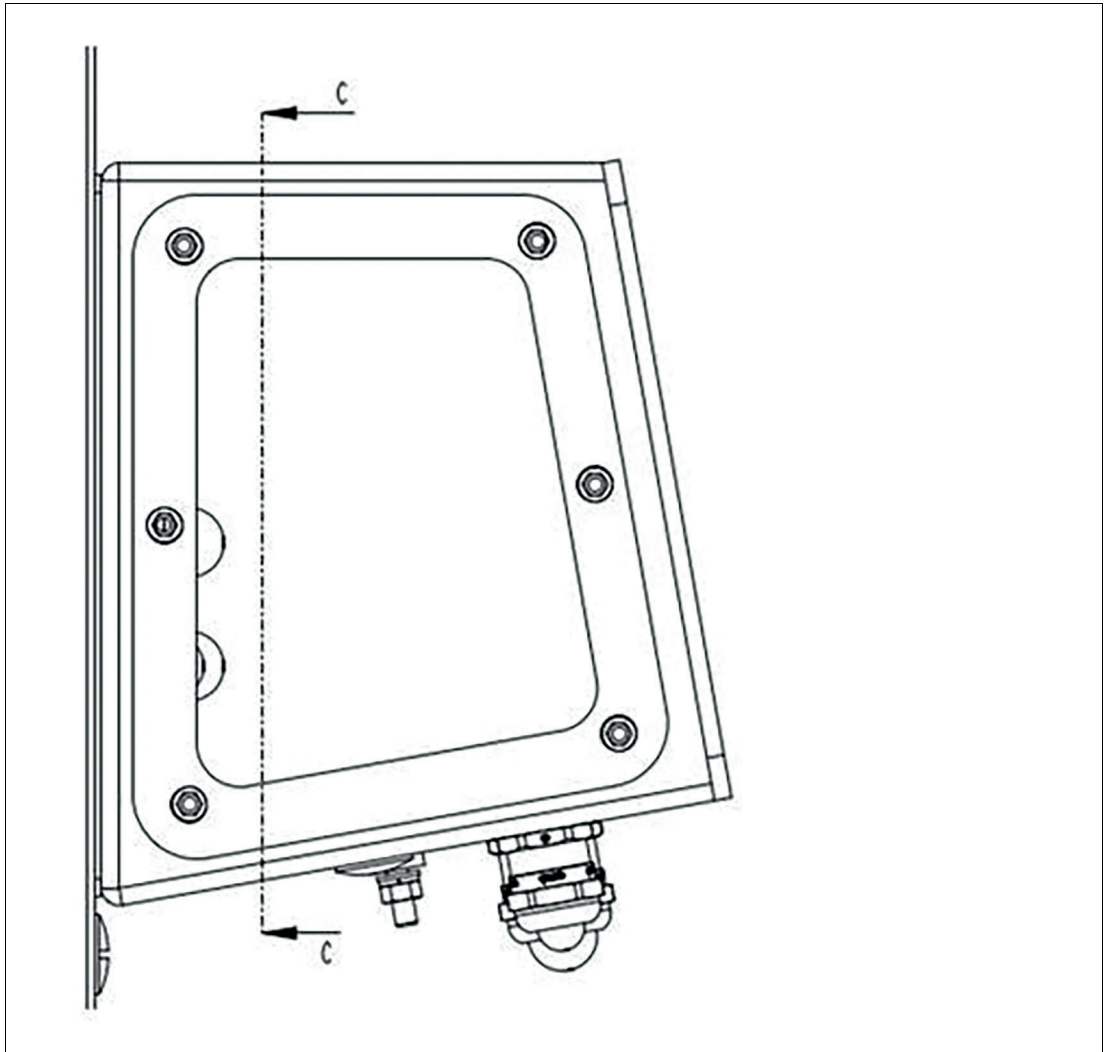


Figure 4.30

5 Electrical Installation

5.1 General Electrical Installation Information

**Warning!**

Danger of explosion!

Only use cables and connection lines which are suitable for the application within a temperature rating of at least 80°C.

**Danger!**

Explosion hazard from wrong or missing equipotential bonding!

Wrong or missing equipotential bonding can cause sparks. This can ignite the surrounding potentially explosive atmosphere.

Connect the equipotential bonding of the device! Observe the equipotential bonding requirements.

Ensure that external equipotential bonding connections exist, are in good condition, and are not damaged or corroded.

**Danger!**

When installing the VisuNet FLX system, always ensure a proper equipotential bonding of all components, including housing and mounting parts (e.g., pedestal and wall bracket) with a cable diameter of at least 4 mm² (~12-24 AWG) in accordance with IEC 60079-14.

The VisuNet FLX is shipped with the following equipotential bonding (PB) wiring connections, if the AG-3200-* housing option is selected:

- PB wire from the computing platform housing PE stud to the AG-3200-*housing PB stud.
 - PB wire from the lens head screw of the panel to the adapter plate of the AG-3200-* housing PB stud.
-

**Note**

Refer to the manuals of the individual VisuNet FLX components for more information on electrical installation and wiring.

5.2 Equipotential Bonding

When installing the VisuNet FLX system, always ensure that all components are properly connected with equipotential bonding (PB), including housing and mounting parts (e.g., pedestal and wall bracket) with a cable diameter of at least 4 mm² (~12-24 AWG) in accordance with IEC 60079-14.

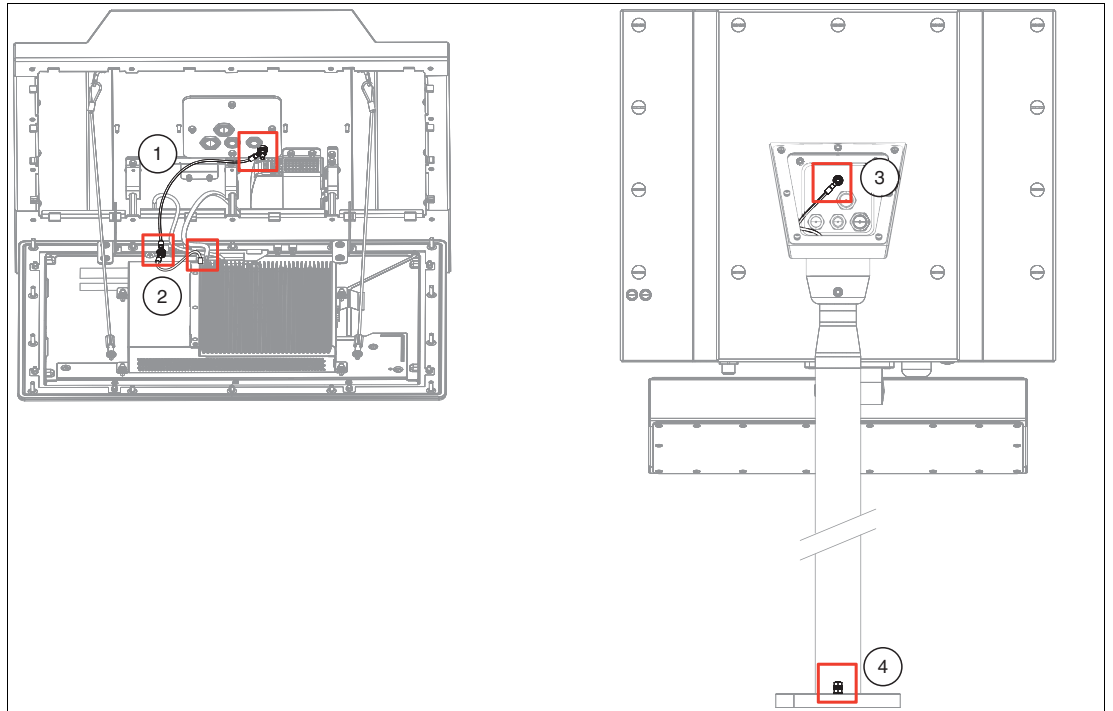


Figure 5.1

No.	Description
(1)	Preinstalled PB wire from adapter plate to the lens head screw of the panel
(2)	Preinstalled PB wire from computing unit to the lens head screw of the panel
(3)	Pedestal with preinstalled equipotential bonding cable.
(4)	Vertical stand provides on the base plate a grub screw for the connection of an equipotential bonding conductor

5.2.1 Equipotential Bonding Connection of the Housing to the Pedestal

When the AG-3200-* housing option is selected, the VisuNet FLX is shipped with the following PB connections:

PB wire from the adapter plate (1) to a lens head screw of the panel (2) and an extra PB wire to the computing platform housing (3).

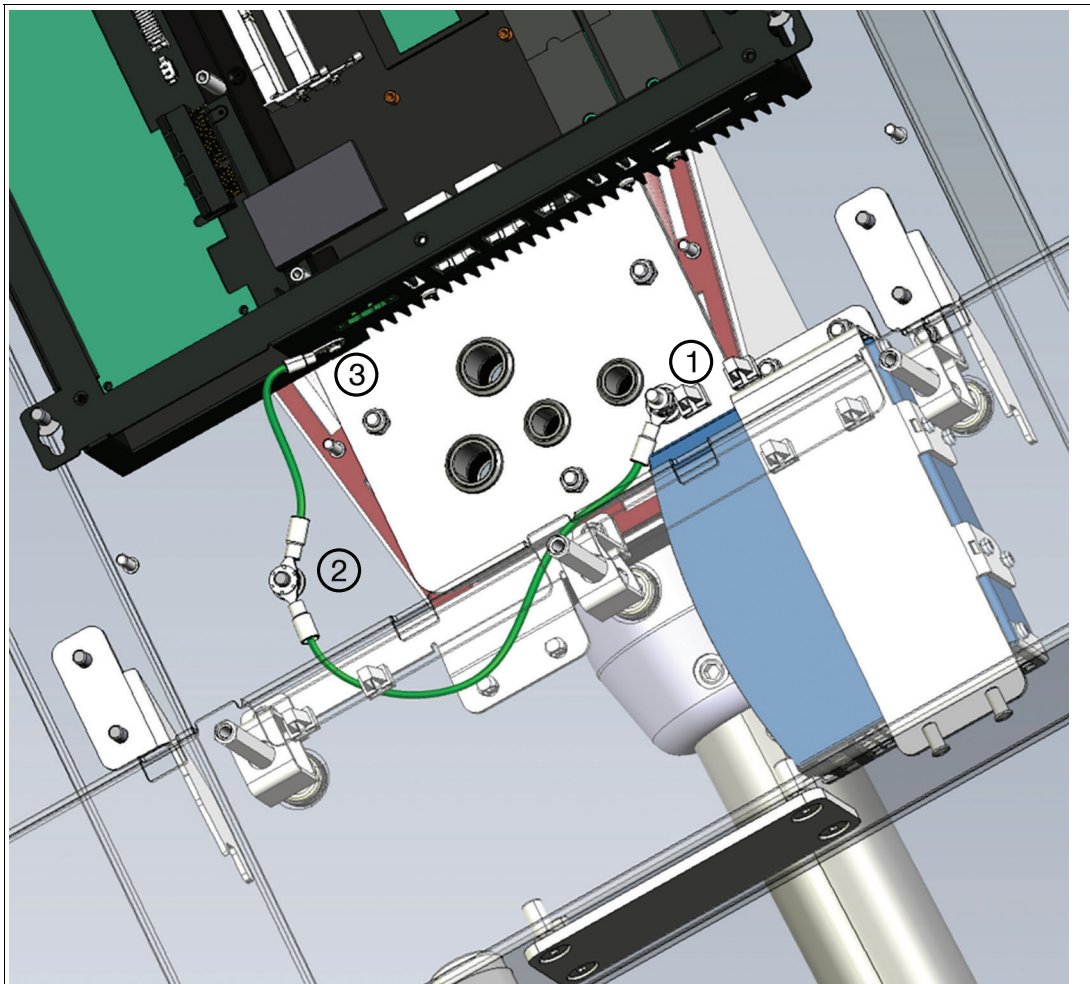


Figure 5.2

If you replace the DPU or PSU, reestablish the PB connection in the same configuration. Tighten the PE hardware to 4 Nm (2) and 2,3 Nm (1) and build up the equipotential bonding welding rods as shown in the picture:

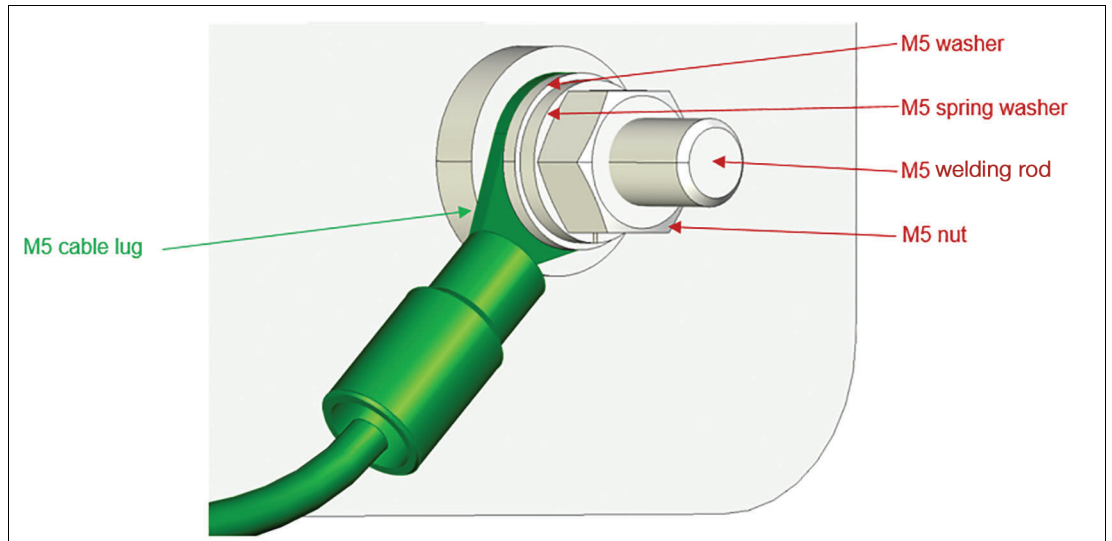


Figure 5.3



Warning!

PB protective equipotential bonding!
PB protective equipotential bonding is mandatory.



Warning!

Operator responsibility to verify PB protective equipotential bonding!
Check the PB protective equipotential bonding after completing system installation.



Warning!

Risk of personal injury and equipment damage!
Pinched PE wire Ensure that the PE wire does not become pinched between the pedestal and housing.



Danger!

Explosion hazard from wrong or missing equipotential bonding.
Wrong or missing equipotential bonding can cause sparks. This can ignite the surrounding potentially explosive atmosphere.
Connect the equipotential bonding of the device. Observe the equipotential bonding requirements.
Ensure that external equipotential bonding connections exist, are in good condition, and are not damaged or corroded.



Warning!

Risk of electric shock or property damage from inadequate equipotential bonding connection.
If you do not connect the equipotential bonding of the device correctly, this could result in potential equalization currents. These currents could hurt operating personnel or cause property damage.
Connect the equipotential bonding of the device via the welding rod.



Note

Refer to the manuals of the individual components for more information on electrical installation and wiring.



Equipotential bonding connection the AG-XX00 Housing to PEDESTAL-AG3200-*

The pedestals come with a preinstalled equipotential bonding cable.



Warning!

This is not valid if you use an already installed/old VisuNet pedestal.

Refer to the corresponding manual.

1. Connect the equipotential bonding cable from the upper part of the pedestal via grub screw to the equipotential bonding rod of the adapter plate. Tighten the PE hardware to 4.0 Nm.

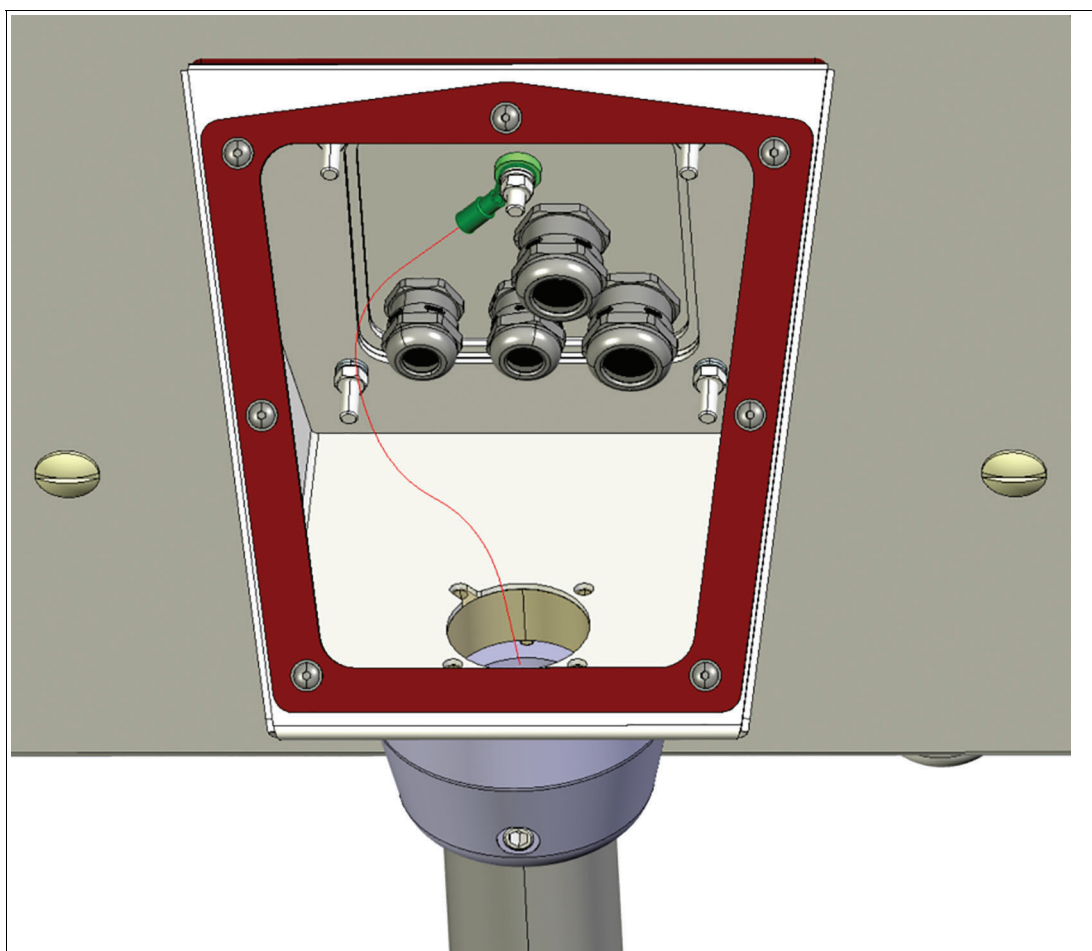


Figure 5.4

5.2.2 Equipotential bonding of the pedestal



Procedure

1. Connect the equipotential bonding of the pedestal with the PB stud on the bottom plate of PEDESTAL-AG-3200-*
2. Fasten the hardware with a torque of 7,5 Nm.



Figure 5.5

The vertical stand provides on the base plate a grub screw for the connection of an equipotential bonding conductor. Cables for equipotential bonding shall have a diameter of at least 4 mm² and cable lugs shall be used.

Equipotential Bonding Concept

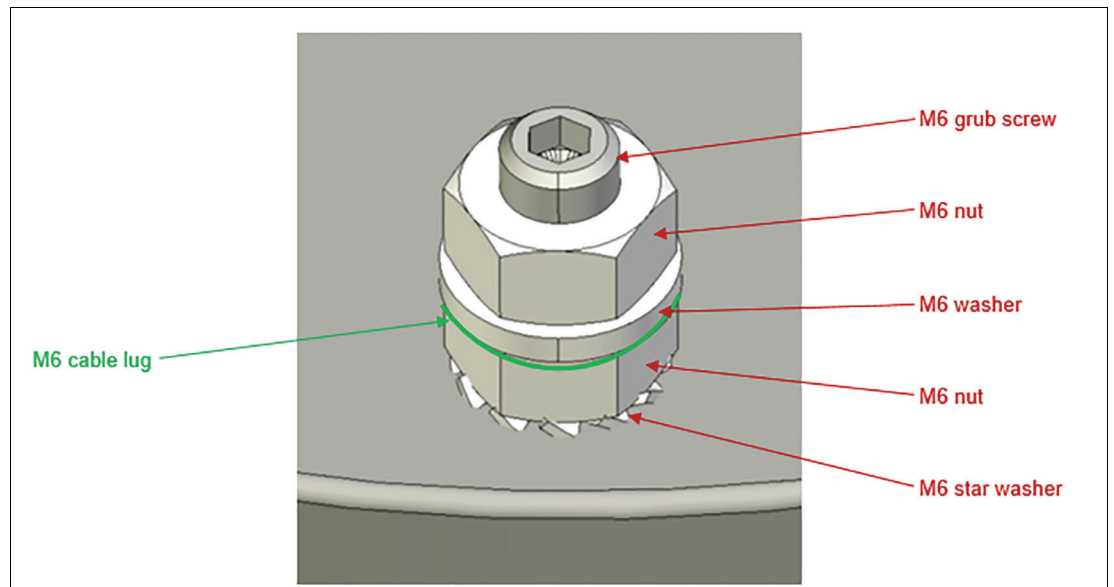


Figure 5.6

Setup of the equipotential bonding rod connection. To get a safe connection with an adequate contact pressure, it is essential to adhere the specifications.

5.3 Power Connection



Warning!

Hazard due to excessive current!

Excessive current can cause overloading of the electronics which could then result in injury or damage.

Operate the device with a power supply that complies with SELV/PELV or NEC Class 2!

5.3.1 Connect the DC Power Cable



Danger!

De-energize the equipment or disconnect the supply of the device before removing any covers or elements of the system, and prior to installing or removing any accessories, hardware, or cables.

Always use a properly rated voltage sensing device to confirm that power is off.

Replace and secure all covers or elements of the system before applying power to the unit.

Failure to follow these instructions may result in death or serious injury.



Note

Cable glands represent limitation.



Wiring and Connecting the Terminal Block Field Input

1. Remove the terminal block from the computing unit and connect the power cable to the terminal block with a torque of 0.5 - 0.6 Nm.



Figure 5.7

Pin No.	Allowed Cable Diameter
	16 ... 12 AWG (1.5 ... 4 mm ²)
-	
+	



Figure 5.8

Place the terminal block in the computing unit and tighten the screws with a torque of 0.5 Nm.

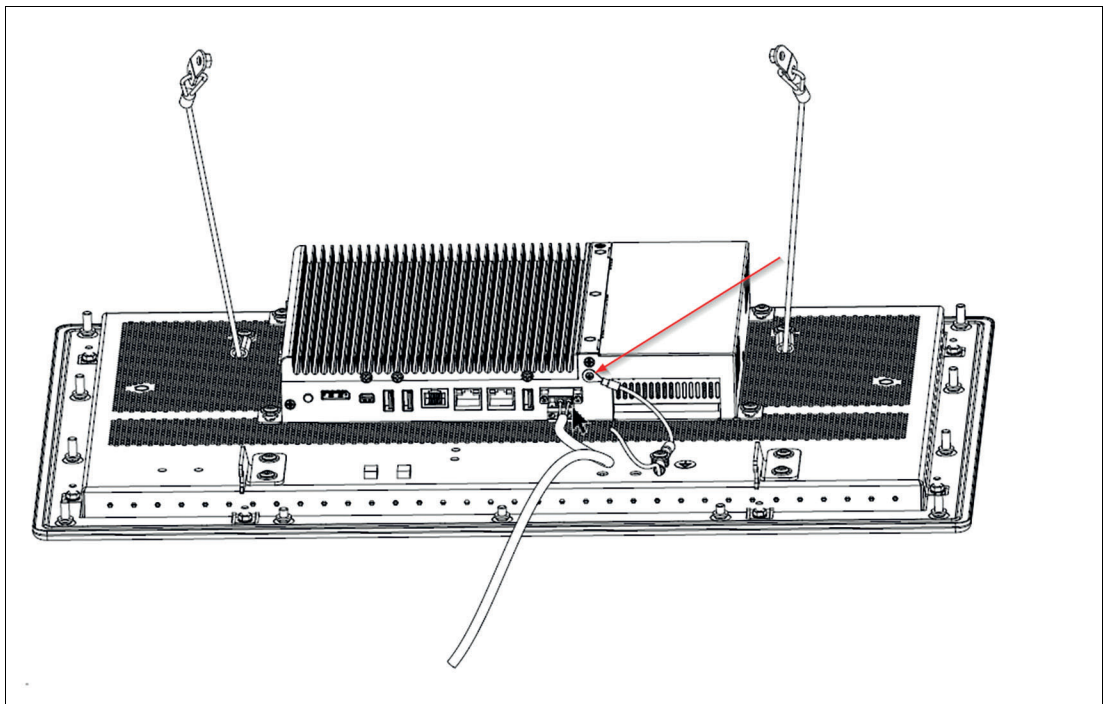


Figure 5.9

5.3.2 Connecting the AC Power Supply

If the VisuNet FLX is configured with AC/DC power supply, the Power supply unit is preinstalled in the system.

AC-Power Supply



Figure 5.10 PS1000-A6-24.5

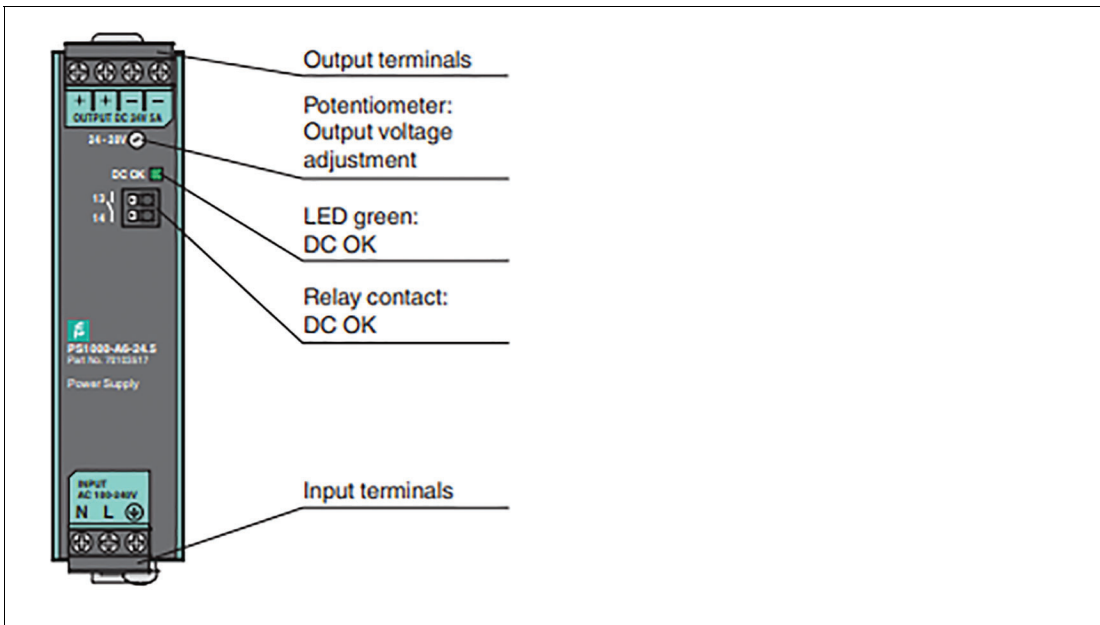


Figure 5.11 Front view

The following table contains the technical characteristics of the AC power supply module:

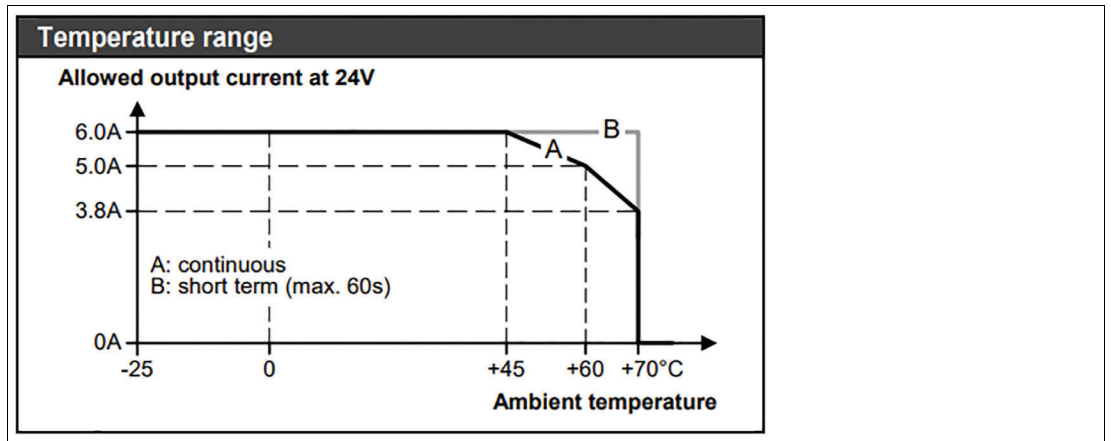


Figure 5.12



Wiring and Connecting the PS1000-A6-24.5 Field Input



Figure 5.13

Wiring	Allowed cable diameter
N	AWG 16 bis AWG 12 (1.5 mm ² ...4 mm ²)
L	
PE	



Warning!

All three wires must be connected!

For further information regarding the AC power supply module refer to PS1000-A6-24.5 manual.

6 Interfaces



Caution!

Damage to the electronics!

The electronics can be damaged if plug-in connections are connected or disconnected while power is still being applied.

Make sure that no power is being applied while connecting and disconnecting cables!



Warning!

Interfaces must have a strain relief in Ex-operation.

This can be achieved with the ATEN Locks (#548400)

6.1 Computing Unit - Interface connectors

For detailed information on the interfaces of the computing units refer to the BPC3200-* manual or DMU3200-* manual.

6.1.1 Power Limitations



Caution!

Our units are power-limited for compliance with Ex requirements and protection against over-heating. For this purpose, the maximum operating conditions (maximum operating temperature at maximum load) are considered.

It is absolutely necessary to consider maximum allowed output currents when installing the VisuNet FLX in Zone 2/22 environment.

Maximum output currents VisuNet FLX system installation

Port	System
USB 2.0	250 mA
USB Ex-i Port A	100 mA
USB Ex-i Port B	100 mA
USB 3.0 Port A	500 mA
USB 3.0 Port B	-
Serial Ports (shared)	200 mA



Note

For Non-Ex applications, these parameters serve as guide values and allow an increase of the VisuNet FLX system service life.

Refer to the VisuNet FLX Panel Mount manual and BPC3200-* manual to get detailed information on the maximum output current of these installations.

7 Installing Peripherals



Warning!

Disconnect the entire power supply to the device before removing covers or components of the system and install/remove accessories, hardware or cables.

7.1 Mounting the Keyboard

The EXTA4-* is the system keyboard/mouse available with a mounting option for the VisuNet FLX system housing

Required Components

- VisuNet FLX pre-assembled in system housing
- EXTA4-* Keyboard

Required Installation Tools

All tools should be torque controlled if a torque is specified.



Mounting the EXTA4-* Keyboard to VisuNet FLX Housing

Mechanical Installation description

1. Open and remove the four cover plate screws on the bottom-left side of the AG-3200 housing.

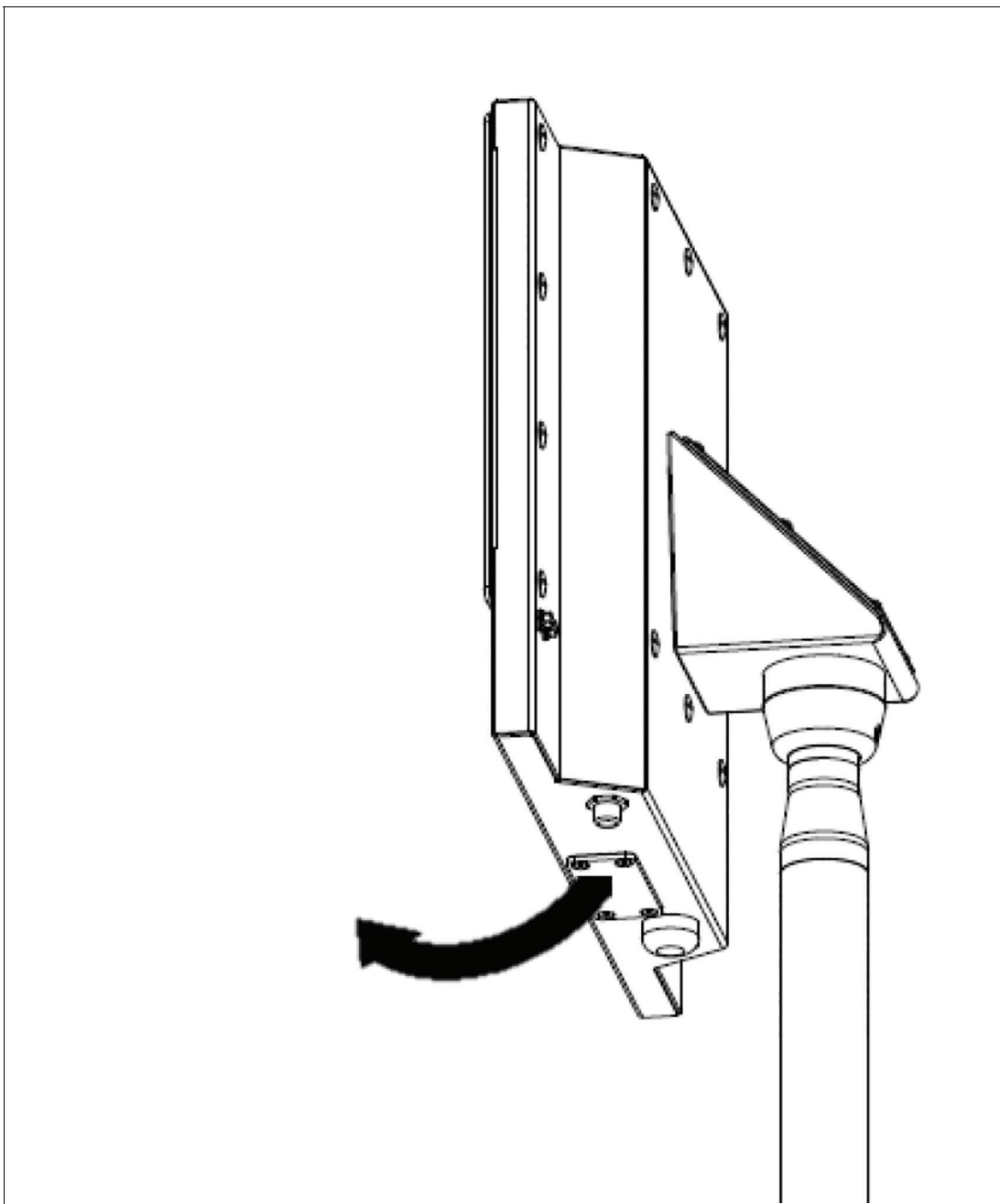
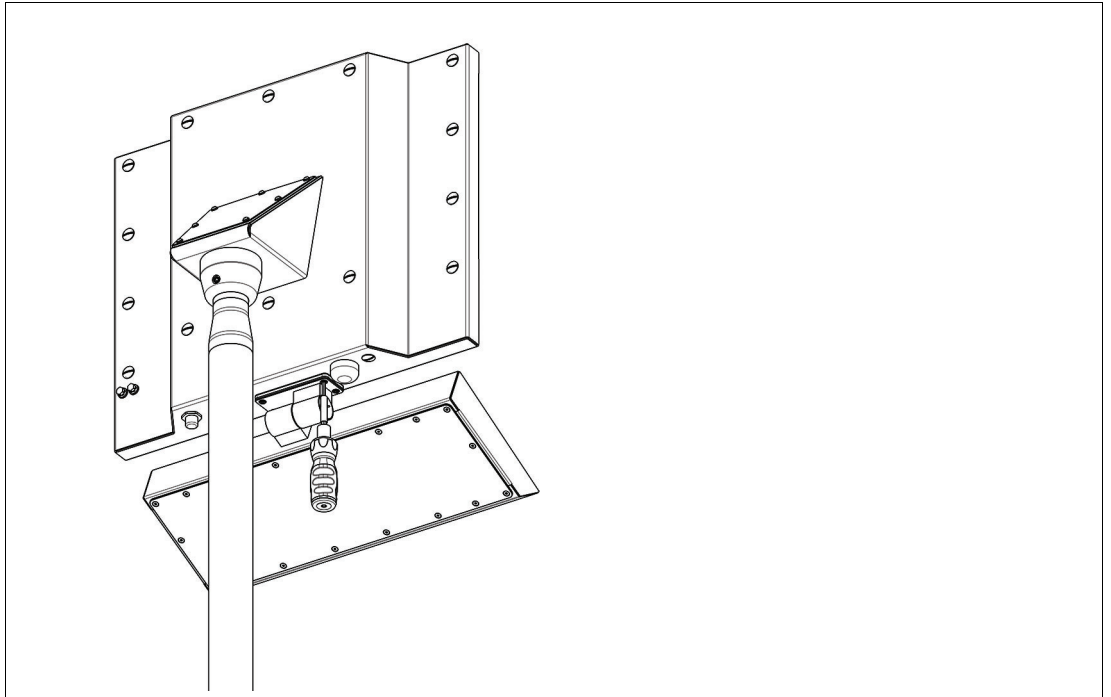


Figure 7.1

2. Route the keyboard cable with the USB connectors through the hole of the AG-3200 housing.
3. Using the screws and lock washers delivered with the EXTA4-* -H1-* keyboard, attach the keyboard to the AG-3200 housing.



4. Fasten the four screws with a torque of 6 Nm.
5. Connect the USB connectors to the USB Ports of the BPC3200-*

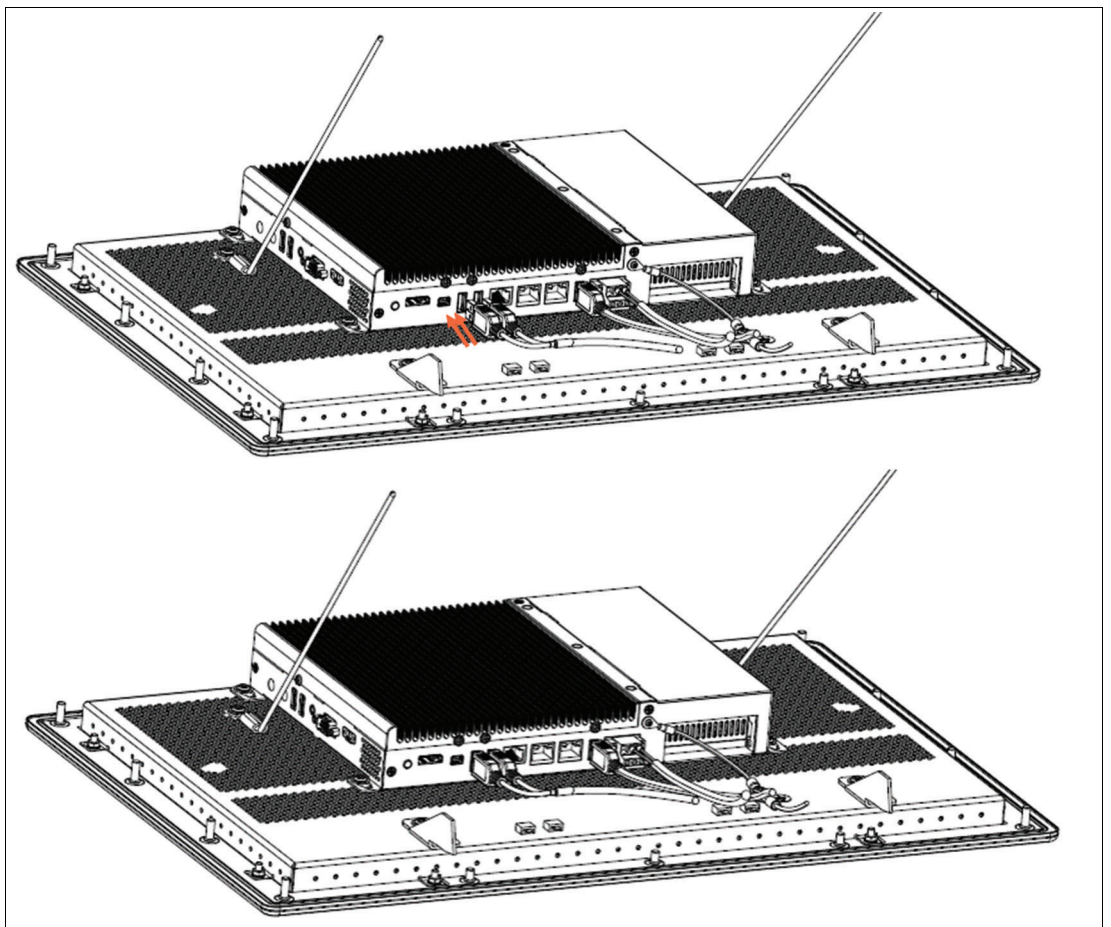


Figure 7.2

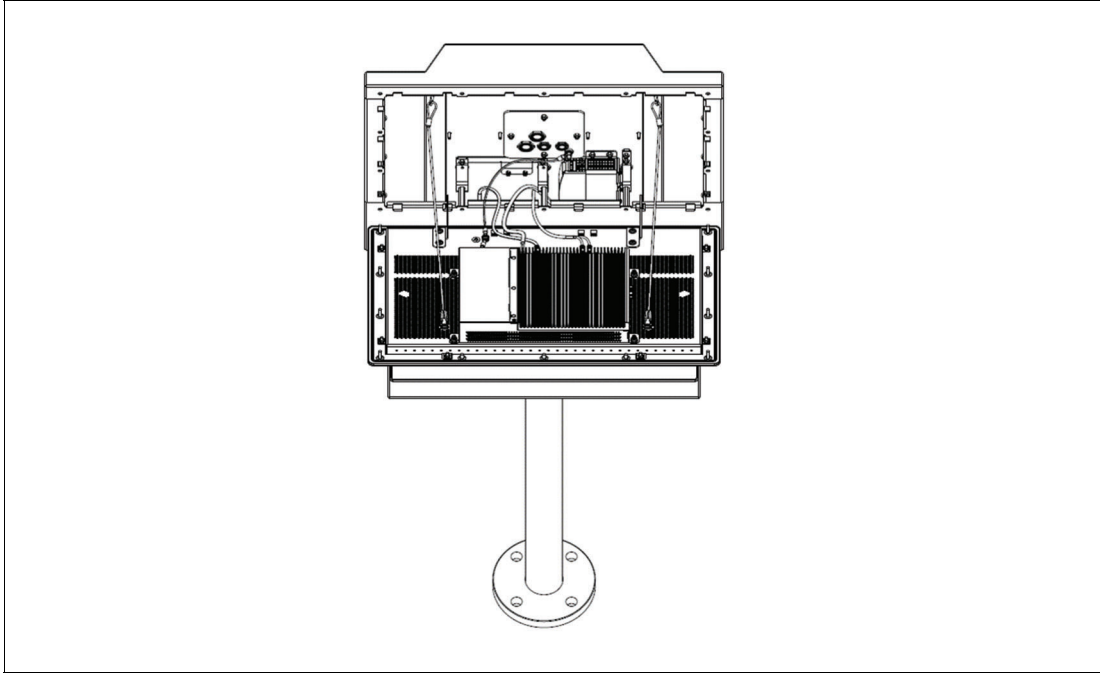


Figure 7.3

7.2 Installing the IDM Zone 2/22 Barcode Reader

Mounting the IDM-* Barcode Reader Holder Bracket

SCANNER-HOLDER-U1-3200-N0 is a holder for the IDM-* handheld barcode reader family. The holder is compatible with the VisuNet FLX housing.

Required Components

- VisuNet FLX pre-assembled in AG-3200 housing with adapter ADAPTER-3200-10-304B-M12
- SCANNER-HOLDER-U1-3200-N0 (#70129840 screws included) or HOLDER-BRACKET-3200-IDMx61-B-N (#70129841)

Required Installation Tools

- Size 8-socket wrench for housing screws
- 3-mm hex wrench for scanner holder screws

All tools should be torque controlled if a torque is specified.

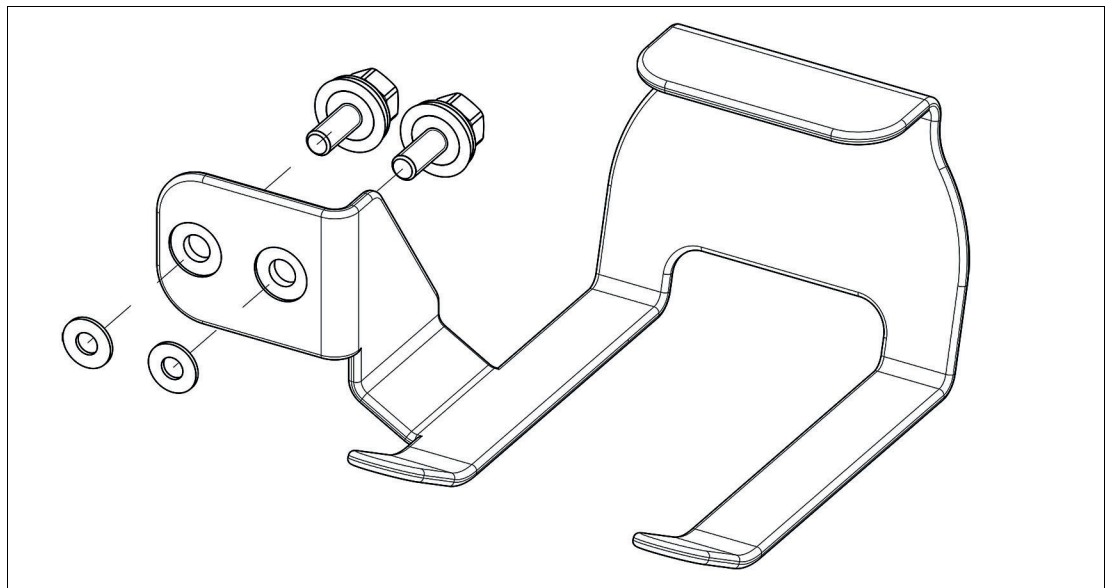


Figure 7.4



Mounting SCANNER-HOLDER-U1-3200-N0 to AG-3200 Housing

1. Remove the blind plugs on the right side of the back of the housing

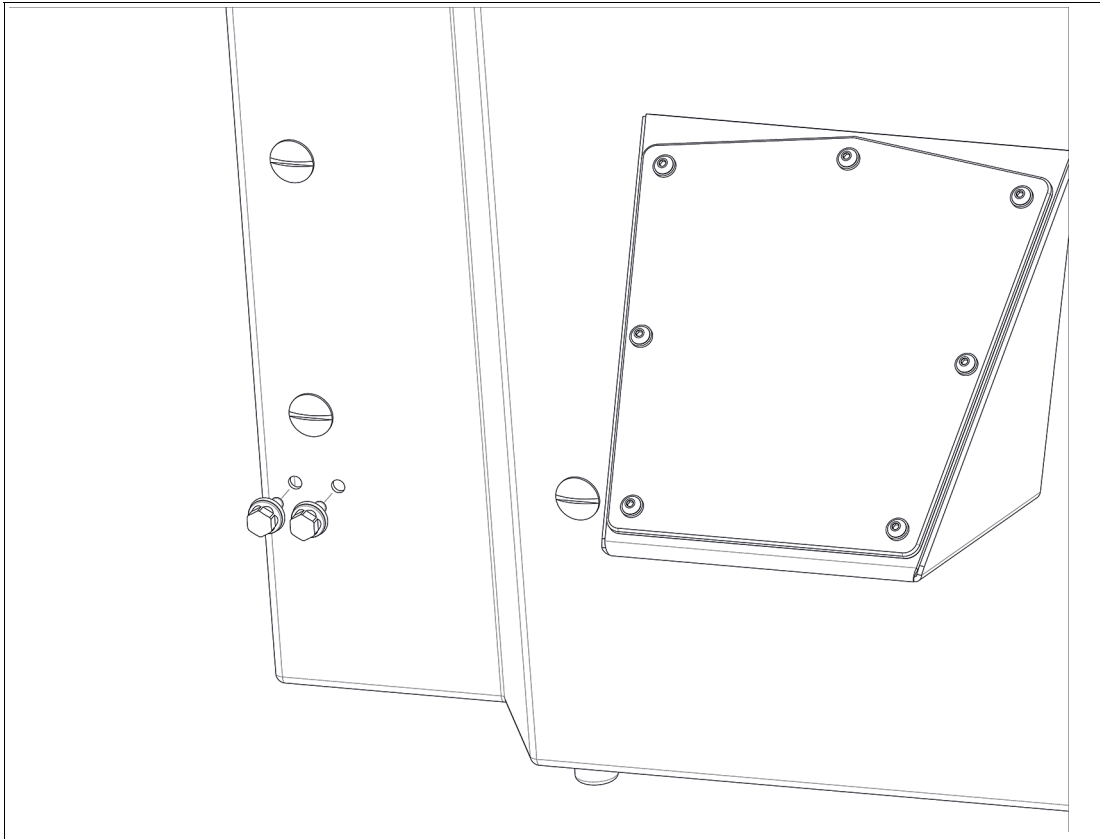


Figure 7.5

2. Connect the scanner holder with the enclosed screws by pressing it against the housing from the outside and fasten the screws using a torque of 4 Nm.

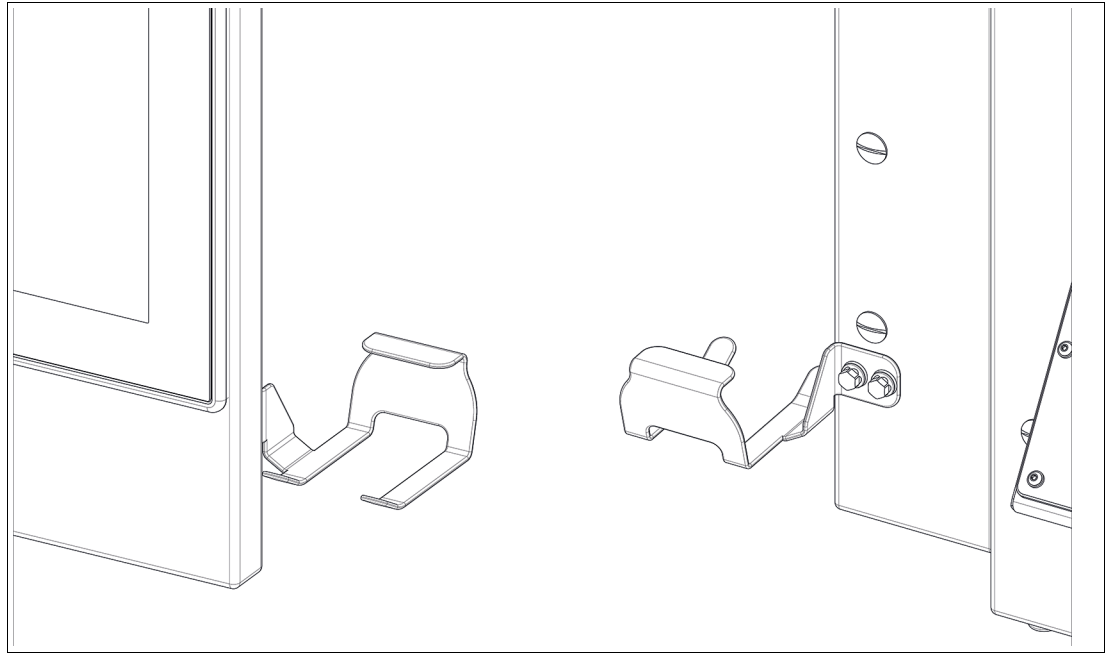


Figure 7.6

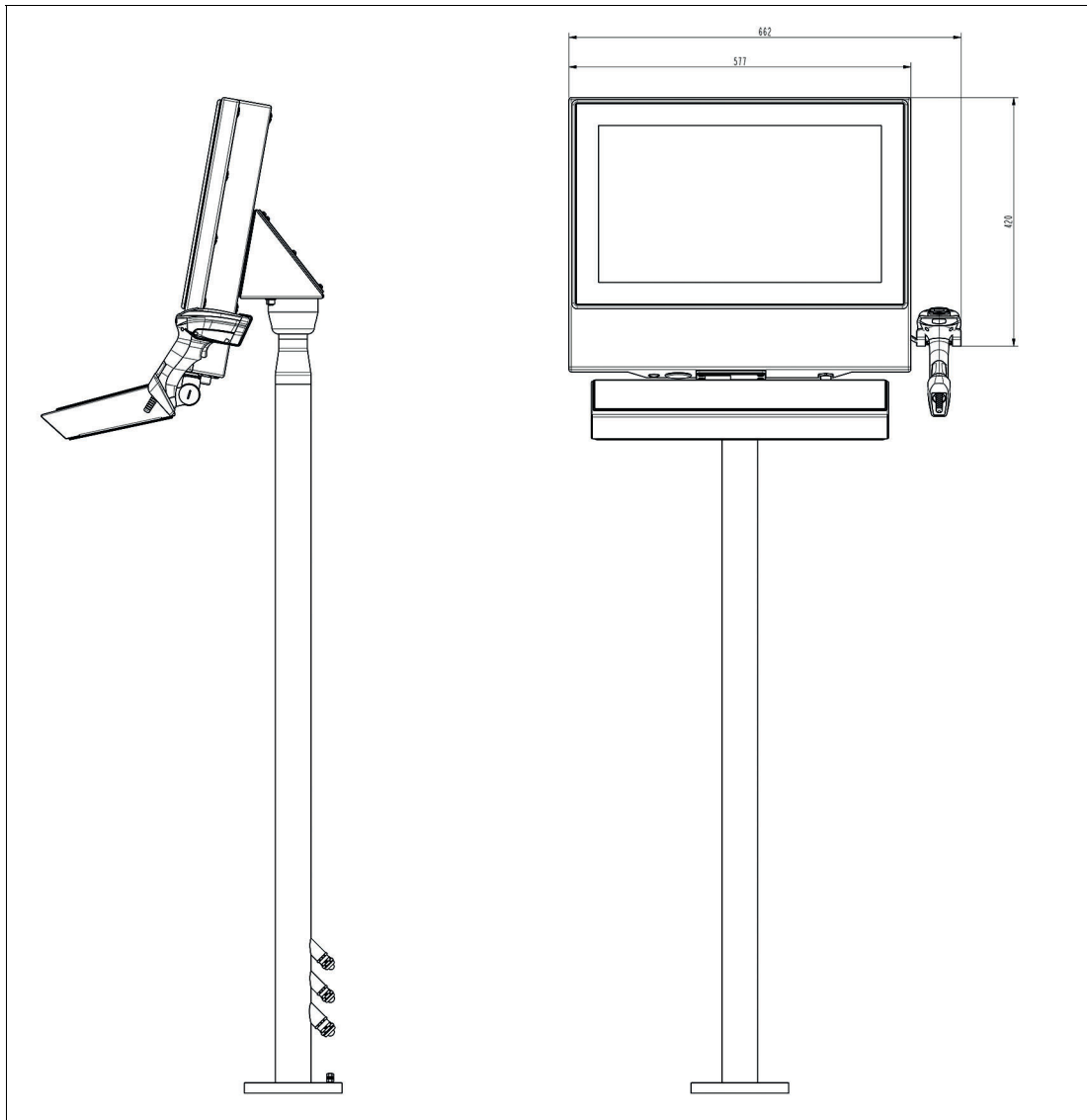


Figure 7.7

3. Follow the same steps to mount HOLDER-BRACKET-3200-IDMx61-B-N (#70129841). This bracket holds the IDM base station.

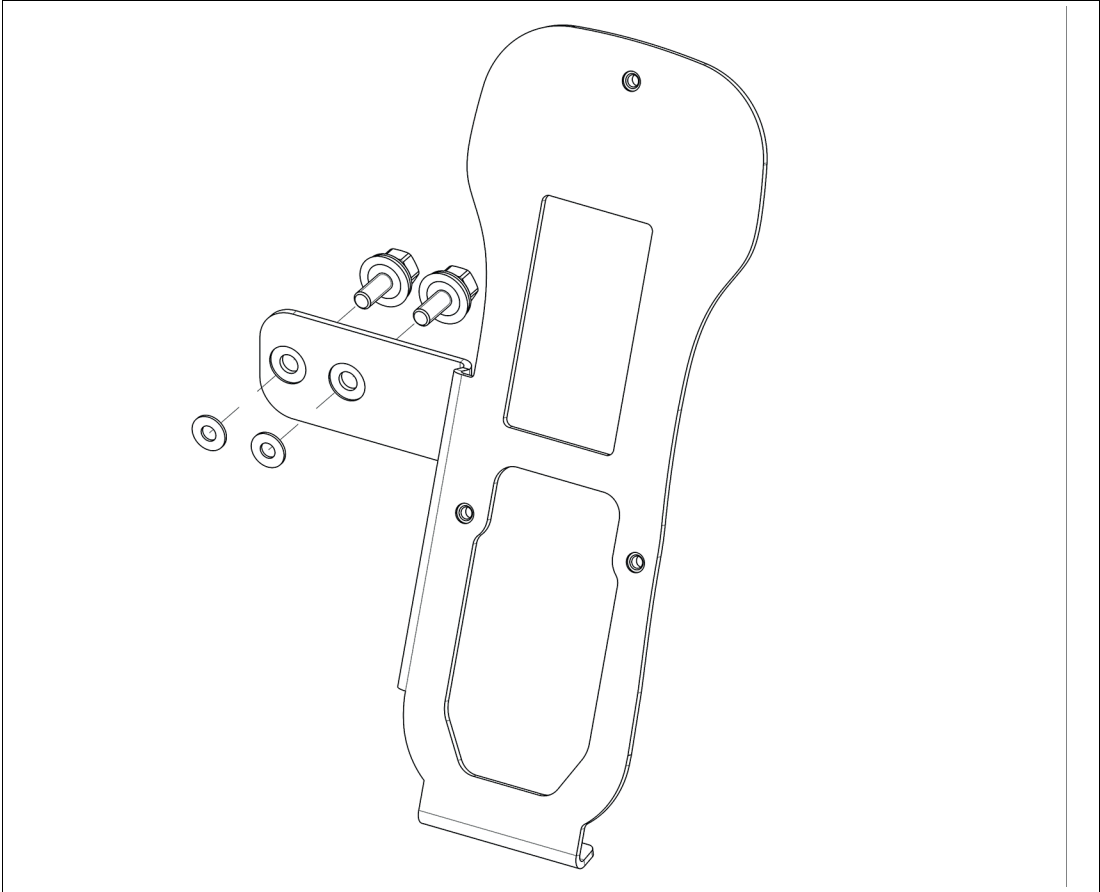


Figure 7.8

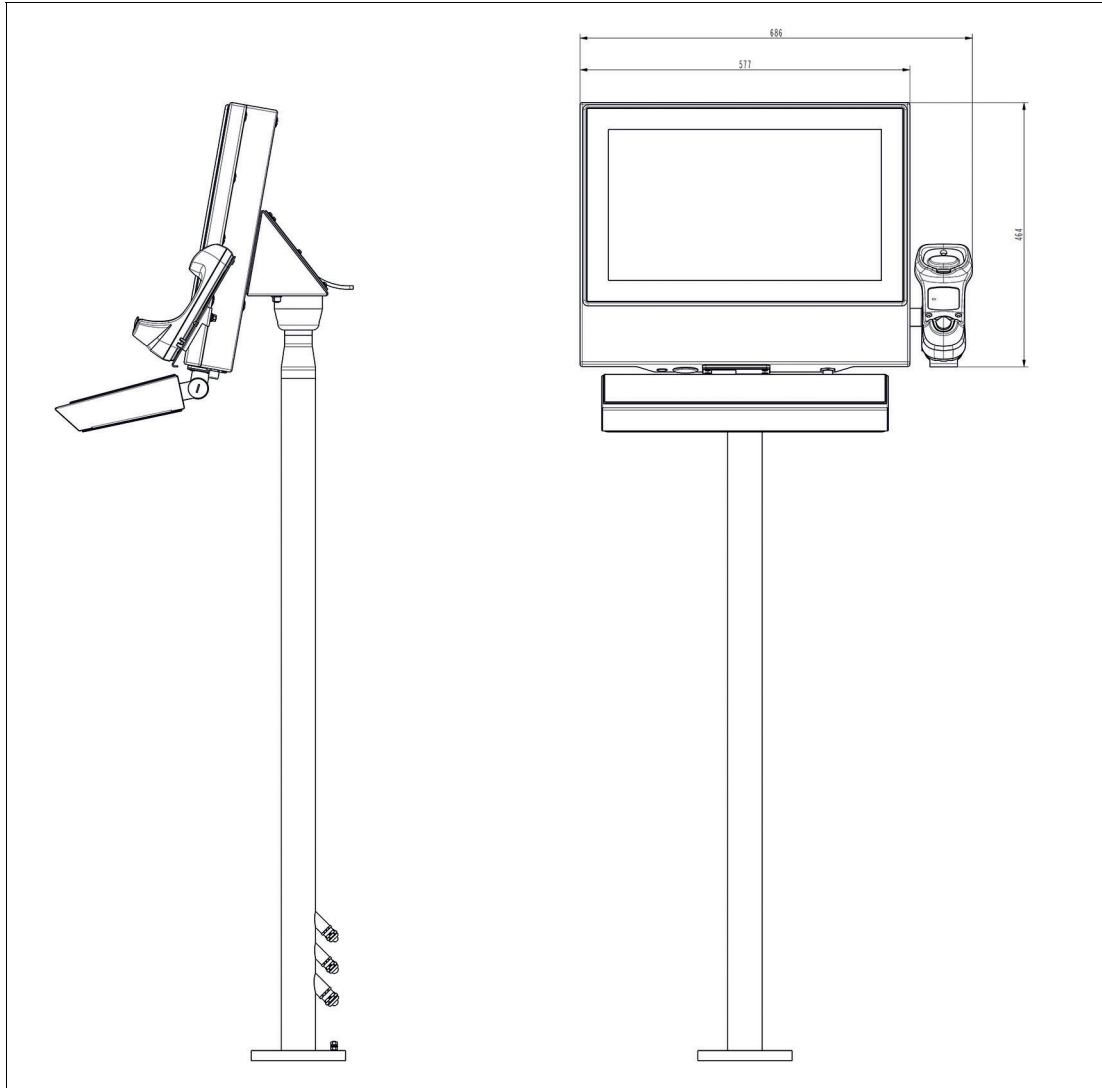


Figure 7.9

Cable installation for IDM Zone 2/22 Barcode Readers and Base Stations

For the installation of the IDM barcode readers the USB supply cable SK-IDM-Z2-J2-1M-U-N is necessary.

Required Components

- ADAPTER-3200-10-304B-M12
- KIT-IDM-Z2-USB-N0



- SK-IDM-Z2-J2-1M-U-N USB supply cable
- CBL-IDM160-D-J1-U-* USB connection cable
- IDM-Z2-160-D-1D-J2-*, IDM-Z2-260-D-2D-J2-S1-N-N0, or IDM-Z2- x61-B-J1-BT-N0 and IDM-x61-* in combination with required Bluetooth® handheld barcode reader
- Optional: Scanner Holder or Holder brackets

Required Installation Tools

- Flat head screwdriver
- 19-mm socket wrench for counter nut and connector
- Size 2.5-hex wrench for cable tie screws
- Safety gloves

All tools should be torque controlled if a torque is specified.

USB Supply cable SK-IDM-Z2-J2-1M-U-N



Figure 7.10 Supply cable for wired barcode readers IDM-Z2-160-D-* and base station IDM-Z2-x60-D-* with USB connection - IDM barcode reader connection via M12 connector.



Note

Supports only USB barcode reader / base station



Installing the supply cable SK-IDM-Z2-J2-1M-U-N

1. Open the housing. See chapter 4.5 and open die back plate of the adapter.
1. Fix the M12 connector in the hole of the adapter. Tighten the M12 socket with 0.6 Nm. The lock nut of the coupling in the adapter with 2 Nm.

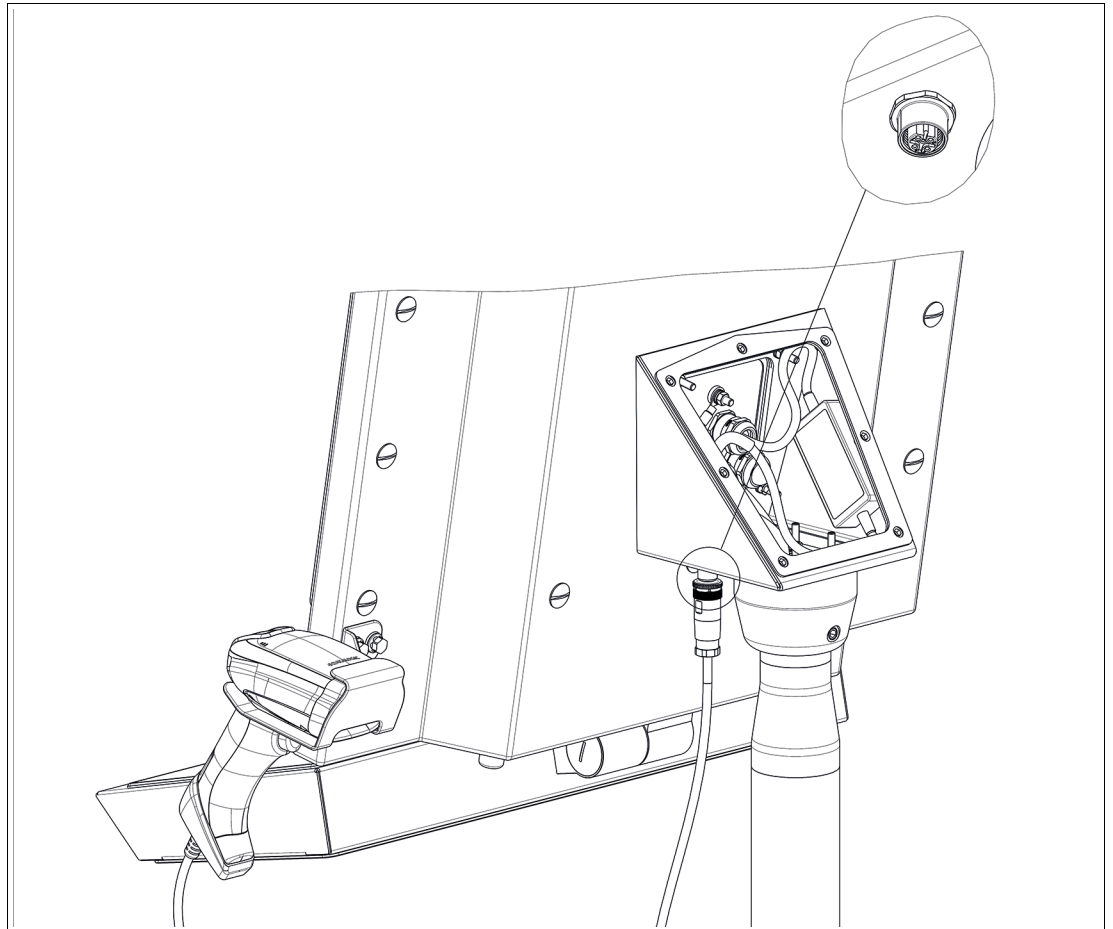


Figure 7.11

2. After installing the Ethernet and Power cables, remove cable gland N° 4 (M20 Ø7-12 mm)

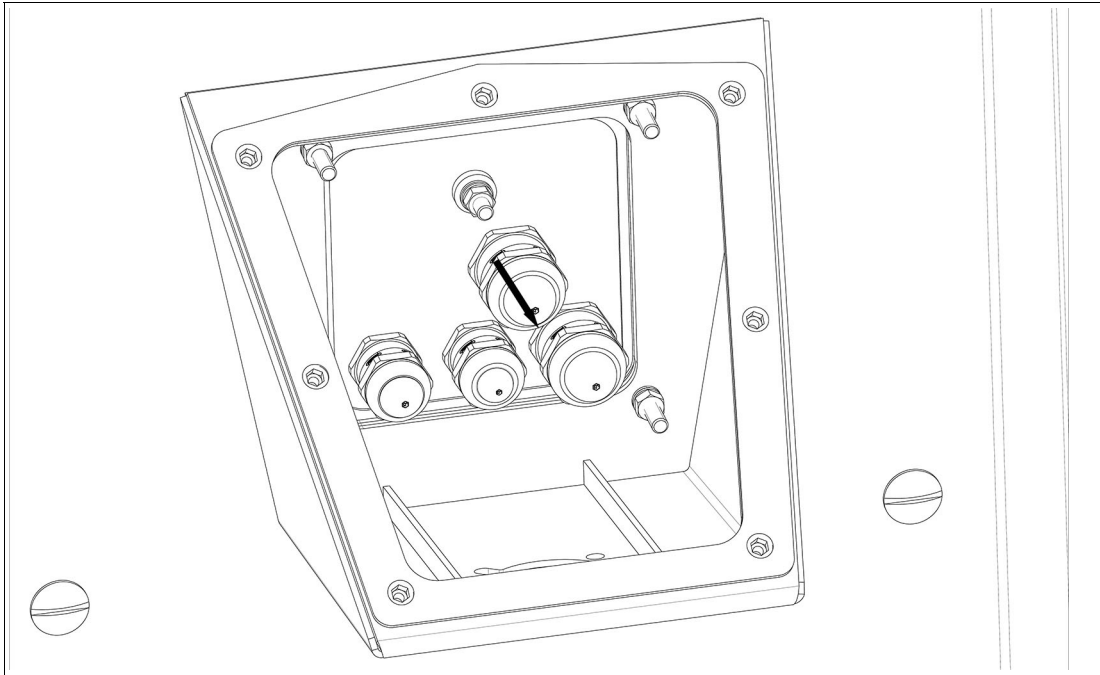


Figure 7.12

3. Fix the integrated cable gland of the supply cable in the section that has become free. Fix it with a torque of 10 Nm.

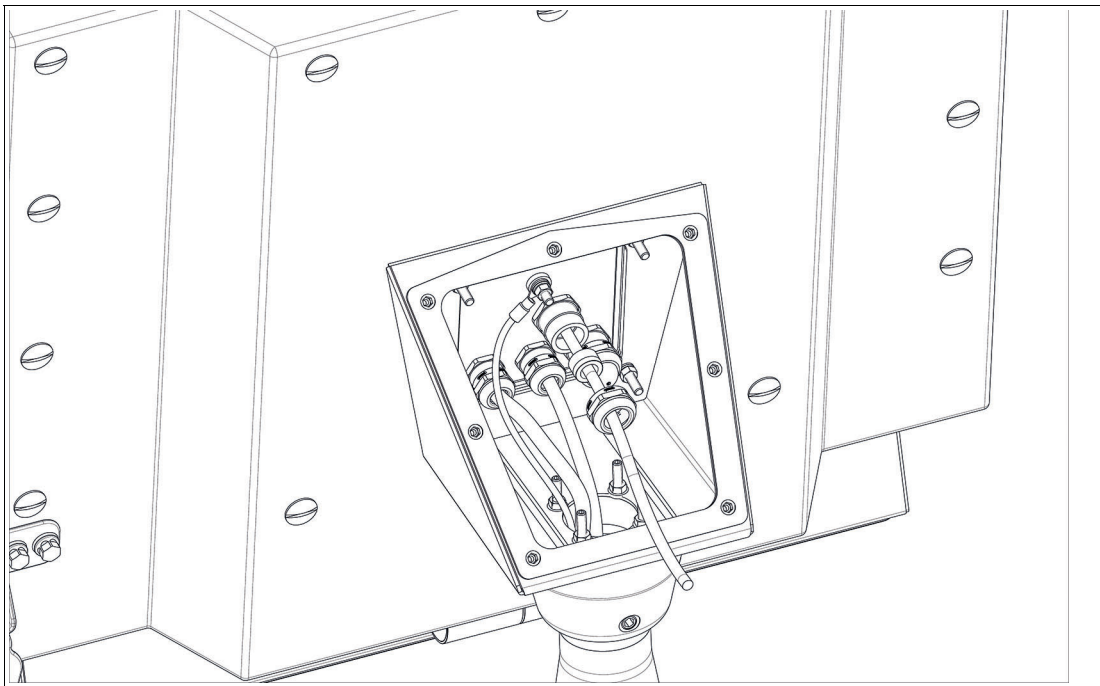


Figure 7.13



Figure 7.14

4. Connect the M12 plug of the supply cable to the connector in the adapter and tighten it firmly.
5. Bend the cable as shown in the following graph.



Warning!

Bending radius must be maintained.

The maximum allowed bending radius is 80°.

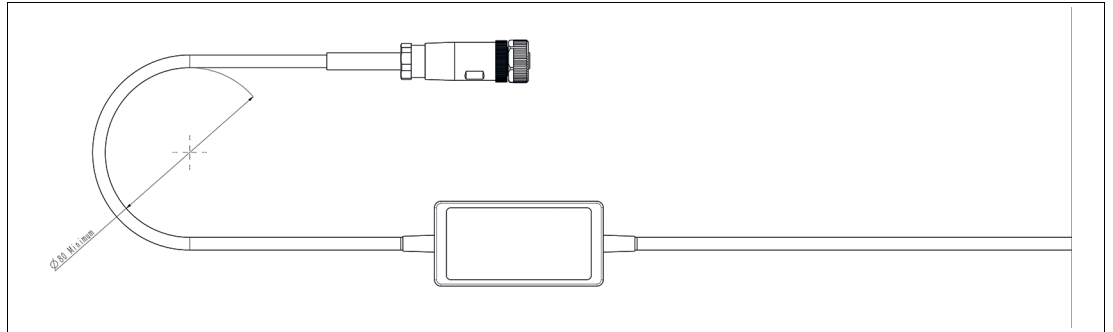


Figure 7.17

6. Place the USB supply cable with the Velcro tape on the left side of the inner side of the adapter.
7. Connect the USB connector of the supply cable to the BPC3200-*

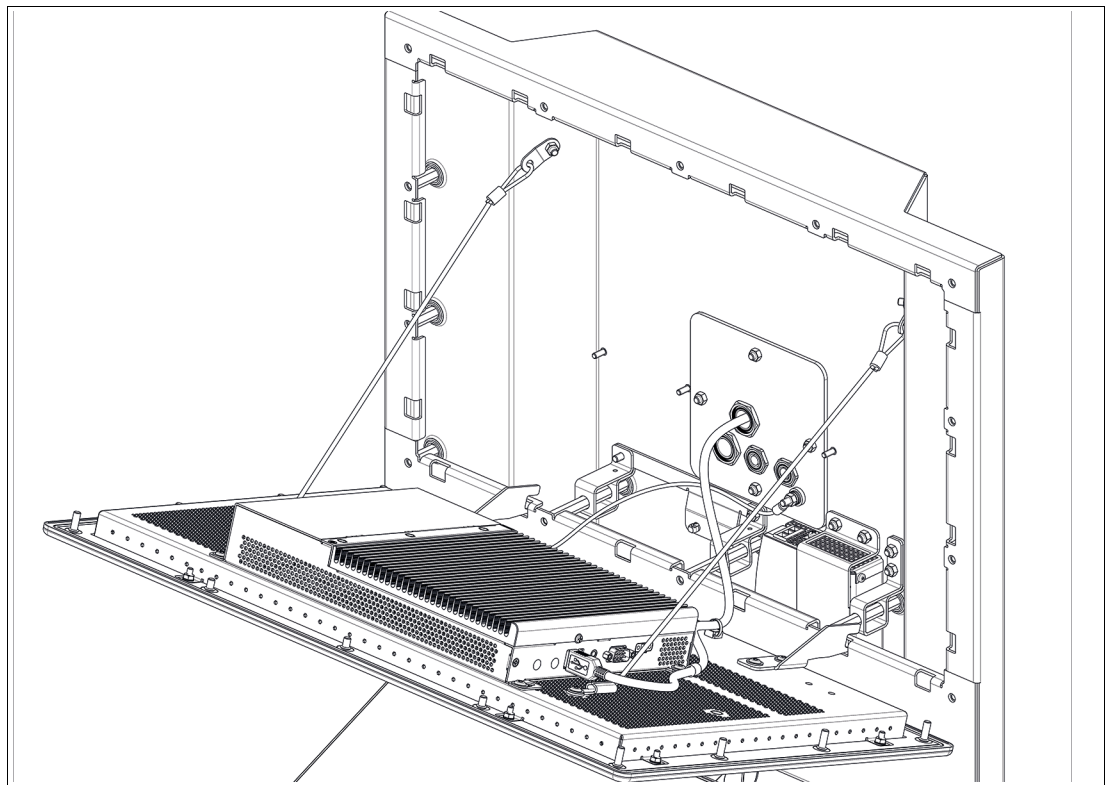


Figure 7.18



Warning!

For operation in hazardous areas the interfaces of the BPC3200-* must be mechanically secured!

The strain relief-locking mechanism can be provided by installing the available accessory ATEN-LockPro.

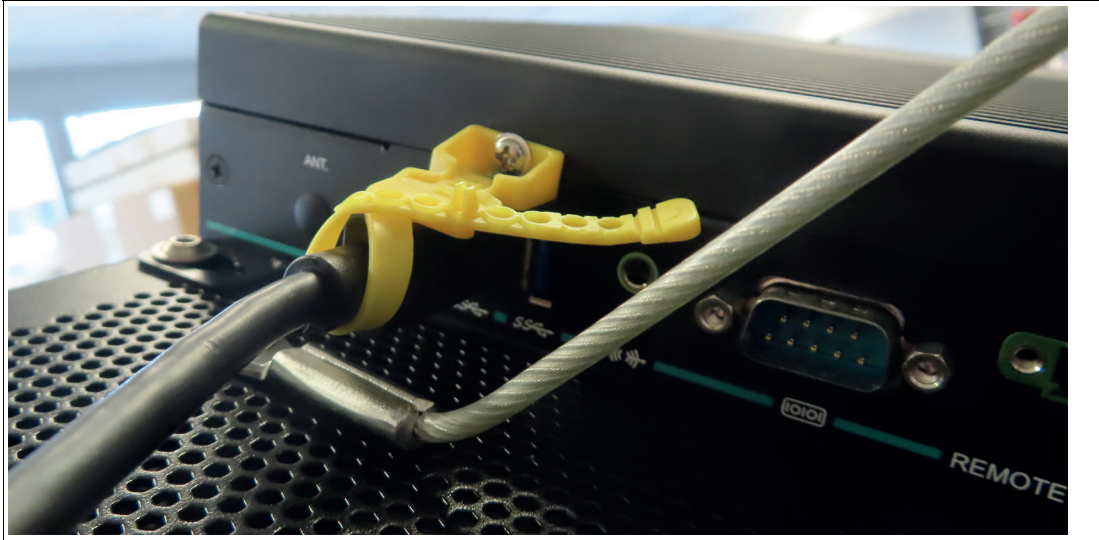


Figure 7.19

8. Use the cable clamp of the KIT-IDM-Z2-USB-N0 and cable ties to route the supply cable as shown in the following graph.



Warning!

Bending radius must be maintained. The maximum allowed bending radius is 80°.

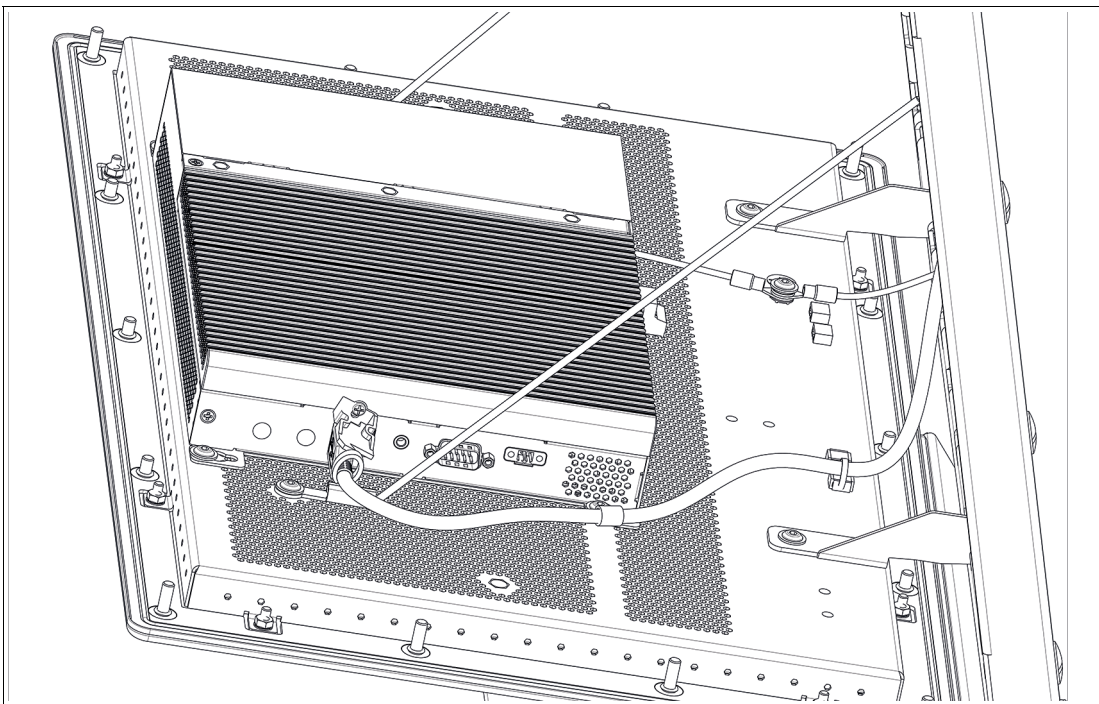


Figure 7.20



Warning!

Risk of cable damage!

The cables may become damaged during the closing process. Properly fasten all cables before closing the housing.

9. Connect the plug of the barcode reader connection cable or base station connection cable to the M12 connector of the adapter and tighten it firmly.

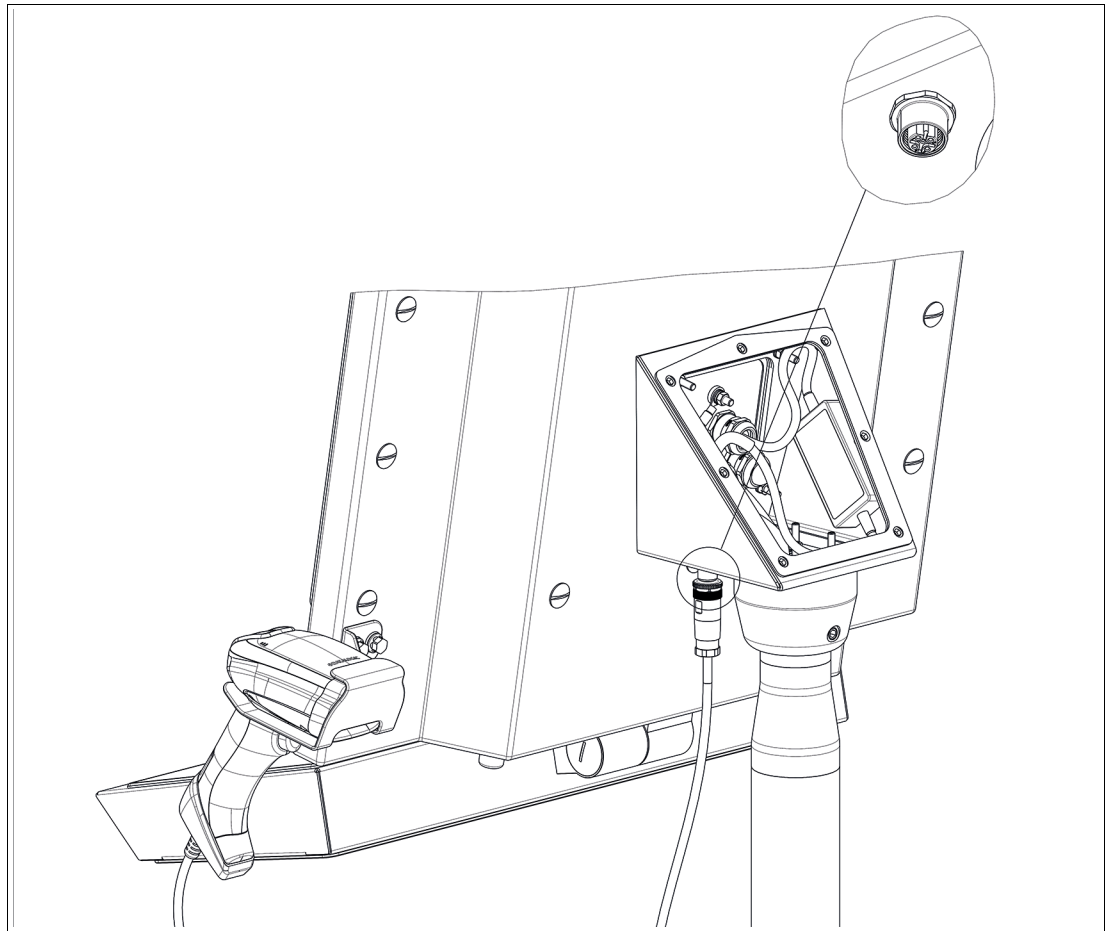


Figure 7.21

Coded Plug and Socket

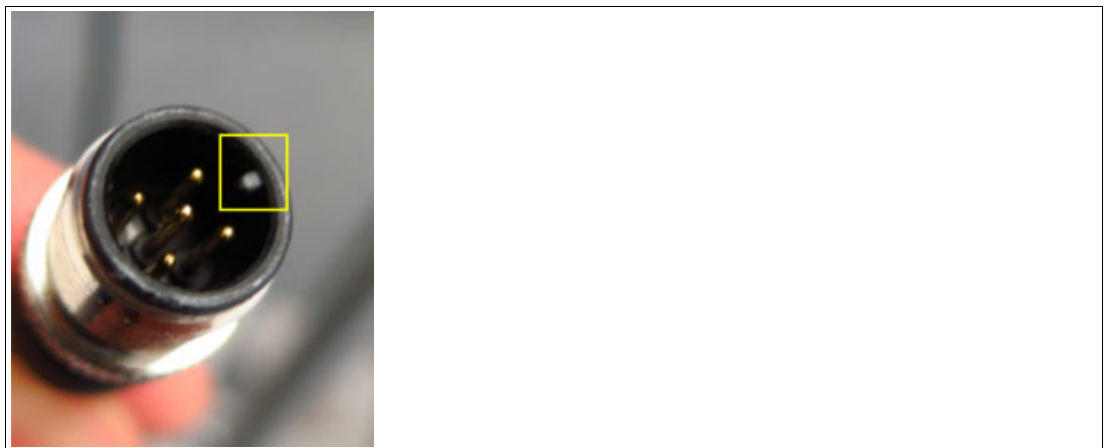


Figure 7.22

The plug and socket are coded. Match the coding on the plug and socket before tightening.



Note

For further information regarding the IDM Zone 2/22 barcode reader portfolio refer to the IDM barcode reader manuals.

7.3 Installing the Bluetooth®-Kit



Warning!

When the Bluetooth Kit is installed, the VisuNet FLX System is certified for ATEX and IECEx Zone 2/22 installations, not for use in Div. 2.

Optional Bluetooth® Installation:



Note

Steps 1 to 4 are obsolete if your VisuNet FLX has already a preinstalled Bluetooth® dome.



Hardware:

1. Remove the guide plate.

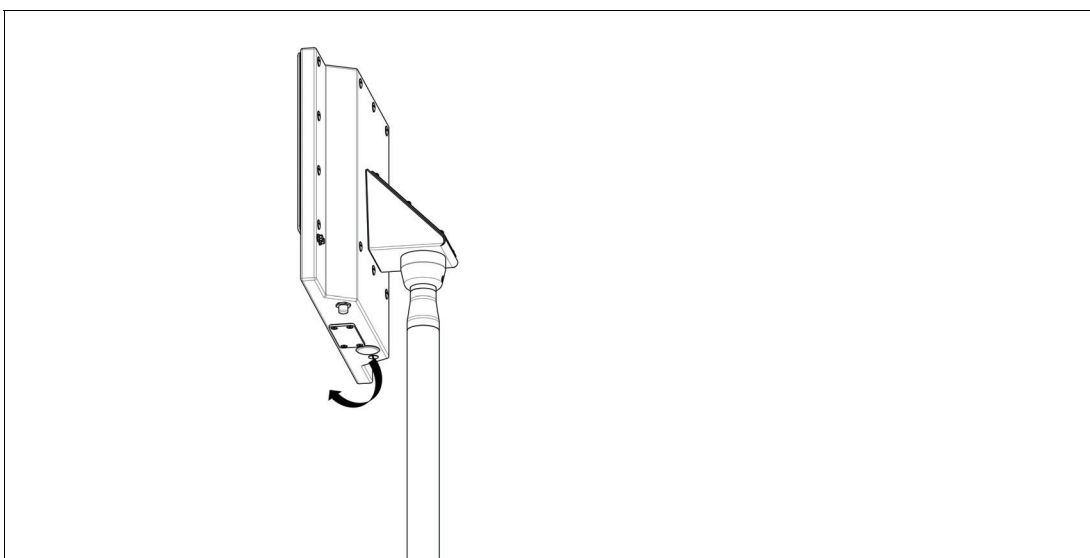


Figure 7.23

2. Loosen the wing nut inside either with pliers or your hands.



Figure 7.24

3. Remove the cover and the seal from the inside.
4. Insert the black Bluetooth® dome and lock it with enclosed nut:
 - a) Make sure that the locking lug is in the right position.
 - b) Use a socket wrench to fix the nut.

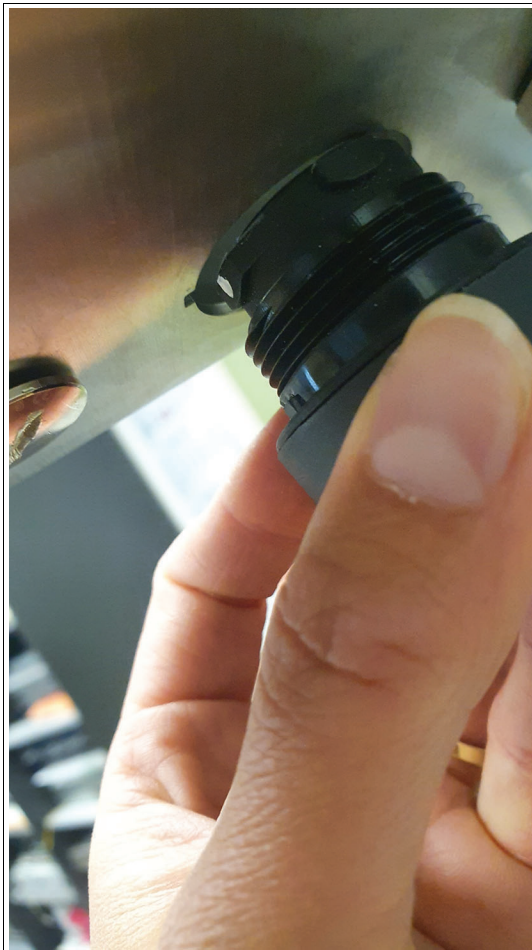


Figure 7.25

5. Attach the prepared Bluetooth® assembly (dongle+holder+cable) and snap it into place by turning clockwise.



Figure 7.26

6. Plug the USB cable into the BPC.



Software:

1. No additional driver is necessary for the Bluetooth® application.
1. Open the Windows® Dialog and follow the steps to pair the devices.

8 Equipping the System with Expansion Modules



Warning!

Functionality is only ensured when using the expansion modules available from Pepperl+Fuchs.

8.1 Expansion units with operating elements

For customized solution a large selection of different operating elements like push buttons which are already qualified is available.



Figure 8.1



Note

Indoor use only!



Warning!

VisuNet FLX systems with installed control elements are suitable for indoor use only. Additional control elements must be protected from direct sunlight and ultraviolet radiation.



Note

Depending on the configuration of the control elements the IP rating may differ from the standard configuration.

Let our Solution Engineering Centers (SEC), which are located all over the world, derive an individual solution based on VisuNet FLX that is tailored to your application.



Warning!

Keep the distances of the installed cables according to IEC 60079-14.

9 Maintenance, Cleaning and Disposal

All VisuNet FLX models perform a degree of thermal management to avoid overheating under heavy load. The VisuNet FLX devices have an internal temperature sensor, which software on the GPU polls to ensure that temperatures do not exceed a predefined limit.



Note

Operating temperature has influence on the VisuNet FLX lifetime.



Caution!

Suitability for Zone 2/22 and DIV 2!

Substitution of components may compromise suitability for Zone 2/22 and DIV 2.



Caution!

Use only approved spare parts.

The installation of spare parts not intended for the VisuNet FLX may damage the device, machine or system. The warranty is void if you install spare parts that are not permitted.

Only original service parts from P+F are allowed to be used.

9.1 Frequency Management

The following maintenance intervals must be observed

Interval	Location	Activity
Daily	Overall device	Visually inspect for loose objects and visible damage
Monthly	Fixing screws	Check that they are seated securely; tighten as necessary
Optional, if installed		
Daily	Emergency stop button	Check that it functions correctly

9.2 Maintenance



Warning!

When exchanging any components, it is mandatory to follow the single de-/installation steps!

9.2.1 Dismounting the Display Unit

If repairs are required, the DPU can be dismounted from the BPC3200-* or DMU3200-* and be replaced.



Warning!

Danger of Explosion!

An ignition may be triggered if the BPC3200-* or DMU3200-* is still energized when its terminal compartment is opened. Turn off the BPC3200-* or DMU3200-* and wait 3 minutes after de-energizing before opening the terminal compartment.



Dismounting the DPU 3200-*

1. Open the AG-3200-* housing. See chapter 4.5 **Open the Housing**. After de-energizing (see above), open the terminal compartment of the BPC3200-*/DMU3200-*
2. Remove the two PB conductors from the PB stud on the back of the DPU.¹

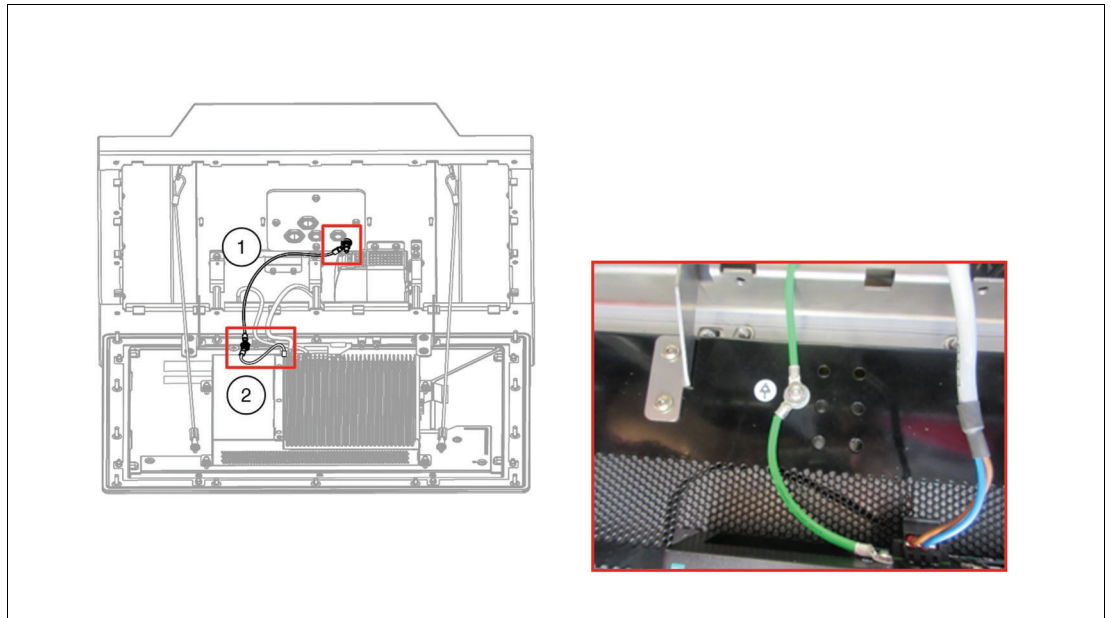


Figure 9.1

3. Open the side cover of the BPC3200-* in case of a DMU3200-* remove the cover plate and remove the pins (USB-Touchscreen signal, LVDS-video signal and Inverter - LCD backlight) from the sockets of the DPU. Make sure to pull all cables evenly and smooth.



Note

Pull all cables evenly. Use slightly more force on the LVDS cable.



Figure 9.2

4. Remove all 4 screws from the back of the BPC3200-*/DMU3200-* and take it off the DPU².

1. Use a torque of 4 Nm for tightening the PB hardware during the DPU reassembly process when these steps are performed in reverse order.

2. Use a torque of 4 Nm for tightening the 4 screws of the computer unit when these steps are performed in reverse order.

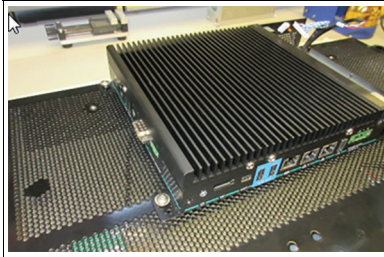


Figure 9.3

5. To simplify replacement of the DPU, temporarily hold the BPC3200-*/DMU3200-* in place using cable ties. Put cable ties through both mounting holes at the top-left and top-right corners, and hang the BPC3200-*/DMU3200-* from the top of the housing frame.

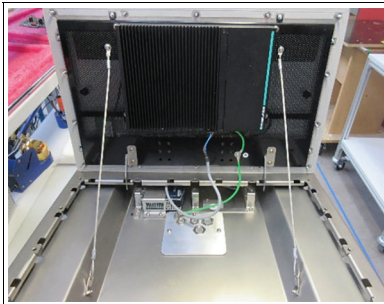


Figure 9.4

6. Remove PB and cable ties.
7. Now the DPU can be removed from the housing. During the removal process, hold the DPU steady so it cannot fall down, preferably with the help of another person. Place the DPU on an even, cushioned surface after removal. To remove the DPU from the housing, take the cables out of the carabiners and unhook the DPU from the housing cover.
8. Remove the two holder brackets (1) and the 10 bolts at the top, sides, and bottom of the DPU (2). Remove the carabiners (3) from their brackets, take out the 6 bracket screws (4), and loose the screws of the carabiner brackets.¹

1. Fasten the safety lines to the back of the screen with a torque of 4 Nm and attach the hooks back by pulling them tight with the screws with a torque of 4 Nm when steps are performed in reverse order.

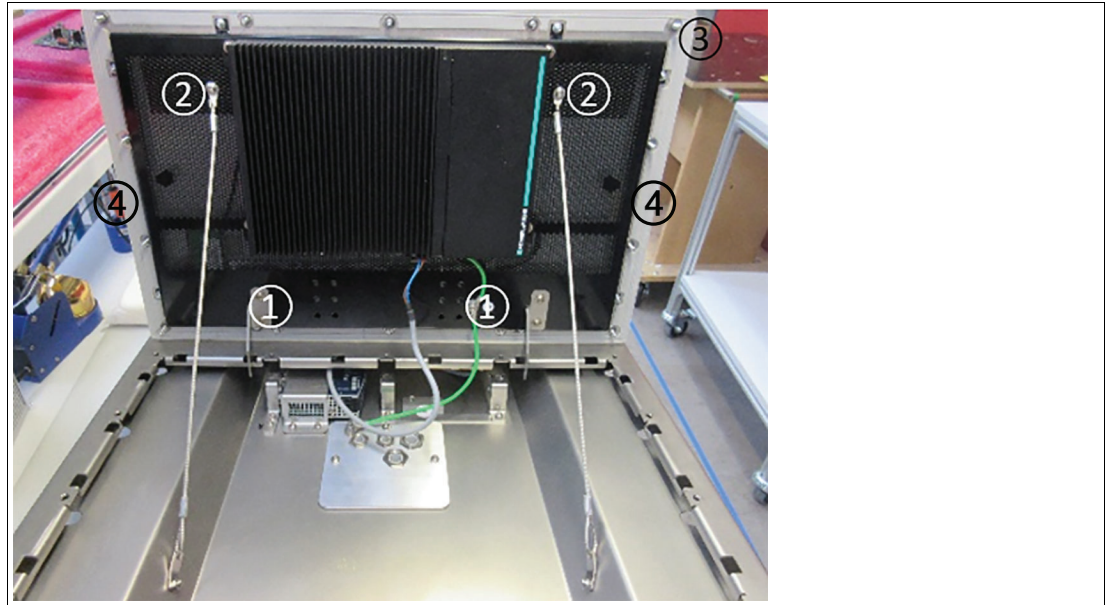


Figure 9.5



Note

When mounting back the BPC3200-* or DMU3200-* to the DPU, be sure to slide it all the way up - leave no clearance at the top of the screw bracket.

9.2.2 Exchanging the PSU



Procedure

1. Remove the connected field input cables from the PSU.
2. Remove the metal holder from the system.¹

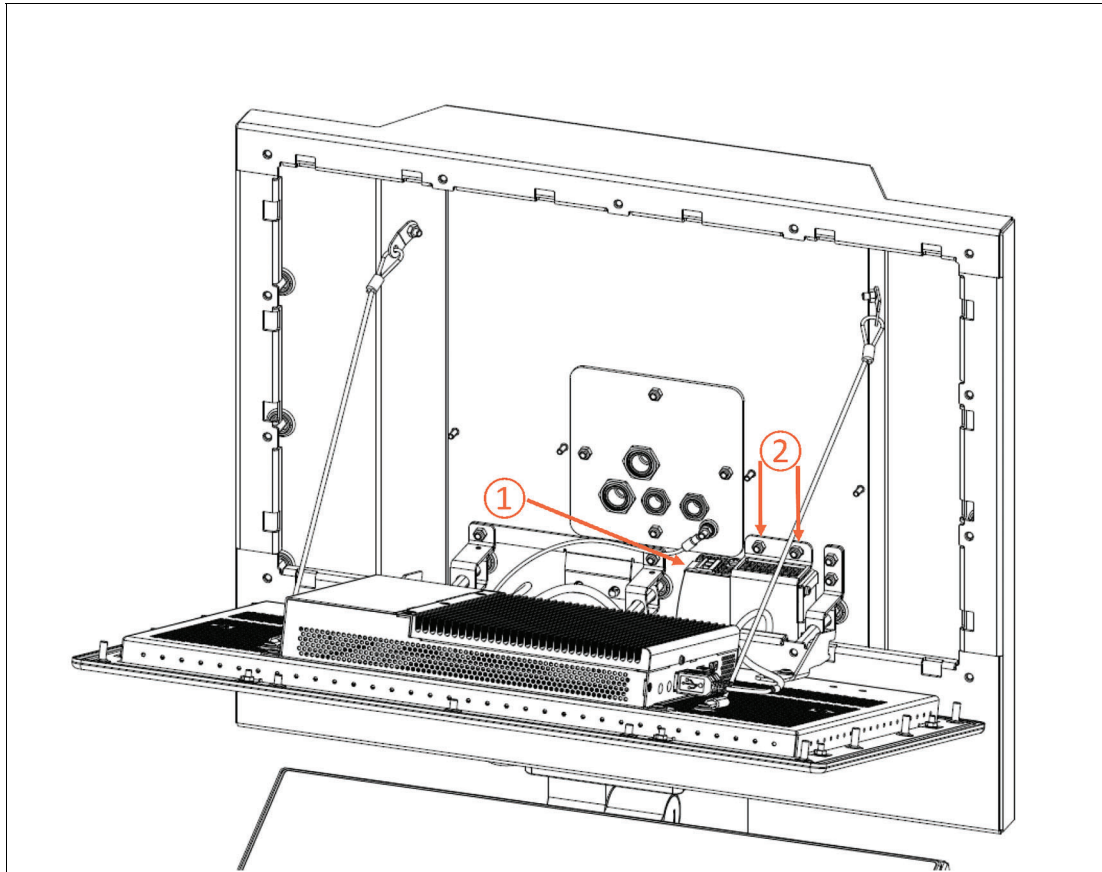


Figure 9.6

3. Remove the output cables from the PSU.
4. Remove the PSU from the metal holder.²

1. Use a torque of 2.3 Nm for tightening the PSU to the housing with two nuts when these steps are performed in reverse order.

2. Use a torque of 0.8 Nm for tightening the screws when these steps are performed in reverse order.

9.3 Exchanging the BPC3200-* or DMU3200-*



Procedure

1. Open the AG-3200-* housing. See chapter **4.5 Open the Housing**. After de-energizing (see above), open the terminal compartment of the TCU/PCU/DMU.
2. Please refer to the VisuNet FLX Panel Mount manual chapter 7.1 for detailed information. From step 2 you will find all relevant information.

9.4 Cleaning

How often it becomes necessary to clean the system depends on the operating and environmental conditions. If necessary, follow the on-site cleaning plan.

Clean and maintain your system regularly.

Cleaning agents and disinfectants

Refer to the Panel Mount manual for further information.

10 Chemical Resistance

The VisuNet FLX HMI product line is made of different materials that have different characteristics in terms of chemical resistance. Main materials that are used in this product line include:

- Hardened glass (Display cover glass)
- Stainless steel 1.4301 (AISI 304) (Display bezel and System Housing options H1, P1)
- Nickel-plated brass (Blind Plugs/Screw covers on housing backside; optional in stainless steel)
- Polymers (e.g. Gaskets & sealing)

Following materials have been tested in particular for their chemical resistance:

No.	Item	Base Material	Product Configuration	Location
1)	Glass Sealing		FLX Panel PCs & Systems	Display front, between Glass & stainless steel bezel
2)	Panel Gasket		FLX Panel PCs & Systems	Display, bezel gasket
3)	Radio Dome		FLX Systems with optional Bluetooth® Radio Dome	Optional part. Installed at housing bottom. Default: Stainless steel cover plate
4)	Screw covers/Blind plugs	Nickel-plated brass	FLX Systems with housing Option H1/P1	Housing Backside Alternative: Stainless steel Screw covers/Blind plugs



Figure 10.1

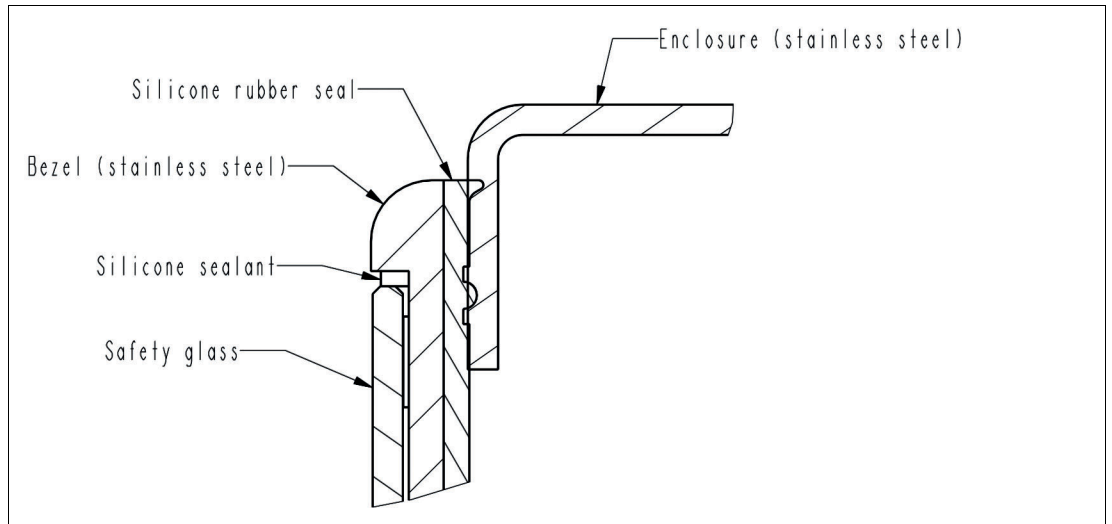


Figure 10.2

The chemical resistance of materials highly depends on various factors, including exposure time, temperature, humidity etc. and can lead to different forms of product alterations including discoloration, change in shore, tearing strength, volume etc.

The above listed materials have been assessed against following chemicals using an immersion test (min. 48 h immersion @23 °C) and based on original manufacturer's material data-sheet. Following test criteria have been defined for the assessment: visual parameters change (e.g. color change, chalking, readability of texts) and degradation of mechanical properties.

Symbol	Meaning
++	very good resistance (no alterations) under given test requirements
+	good resistance (small and/or temporary alterations, without impact on mechanical properties) under given test requirements
NR	Strong, permanent alterations under given test requirements
NT	Material not tested / resistance not defined

	Panel Gasket	Glass Sealing	Radio Dome	Screw covers / Blind Plugs
Acetic acid (concentrated 50%)	++	++	++	+
Acetone	++	+	++	NT
Ammonia (concentrated)	+	++	++	NT
Ethanol	++	++	++	NT
Formic acid (concentrated 50%)	+	++	NR	+
Glycol	++	+	++	NT
Hydrofluoric acid, 5%	NR	NT	NT	NT
Hydrogen peroxide (30%)	++	++	++	++
Isopentanol	NR	NT	NT	NT

2023-06

	Panel Gasket	Glass Sealing	Radio Dome	Screw covers / Blind Plugs
Isopropanol	++	++	+	NT
Methanol	++	NT	++	NT
Nitric acid (concentrated)	NR	NR	NT	NT
n-Hexane	NR	NR	NR	NT
Concentrated mineral Acids, Concentrated alkaline Solutions, High-pressure steam above 100°C	NR	NR	NR	NT

Note

This list is not exhaustive! Other substances or parameters (e.g. exposure time, temperature, humidity etc.) can have a negative impact on the resistance of the materials. Other chemicals or parameters must be assessed individually and case by case.

Note

Cosmetic (e.g. discoloration, change of surface structure) and/or temporary alterations that have no impact on the product functionality (e.g. ingress protection) and/or safety are not considered as a relevant reduction of the product quality.

Note

It is the user's responsibility to periodically review the quality of the gaskets and - in case of degradation - implement appropriate counter measures to ensure the safety of the product.

11 Appendix

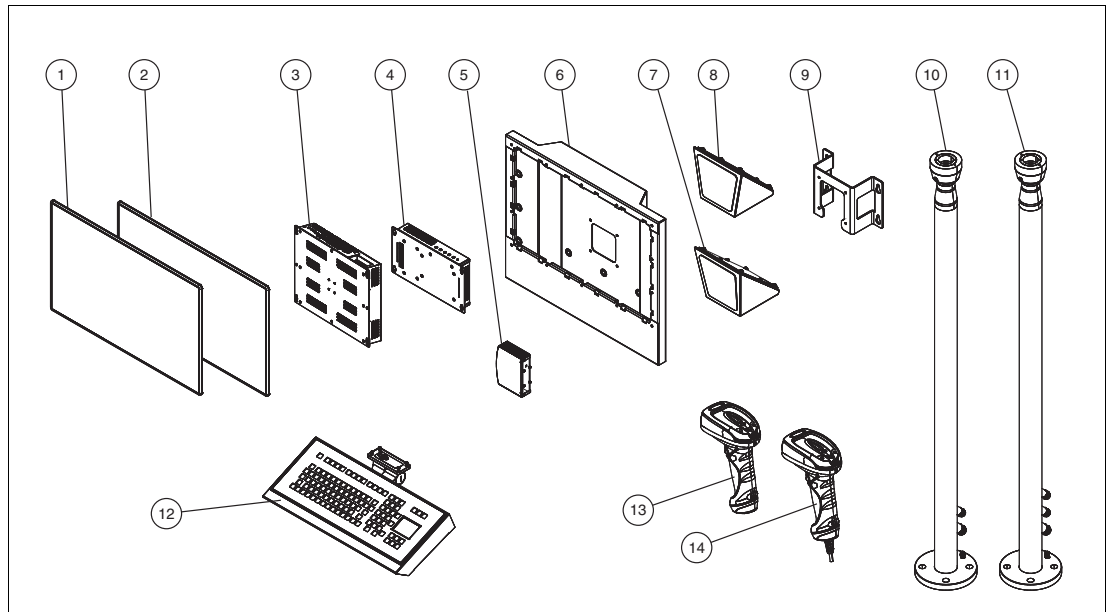


Figure 11.1 VisuNet FLX System - possible configurations

Spare Parts

No.	Type code	Item No.	Description
(1)	DPU3200-22GT-304A-V1-N0	70128300	21.5" Display (Full HD) - Display option "22GT" with capacitive touch screen
(2)	DPU3200-22FC-304A-V1-N0	70128301	21.5" Display (Full HD), optically bonded - Display option "22FC" with capacitive touch screen
(3)	BPC3200-*	must be configured	available as thin client or PC configuration
(4)	DMU3200-22GT-V1-N0	70128304	Compatible with display N° 1
	DMU3200-22FC-V1-N0	70128305	Compatible with display N° 2
(5)	PS1000-A6-24.5	70103517	AC power supply Option
(6)	AG-320S-A-22F-304A-N1N0	70125555-100000	Spare part housing with 1.6-µm surface
	SPAREPART-AG-320S-BP-P1	TBD	Spare part housing with 0.8-µm surface
-	SPAREPART-AG-320S-BP-H1	70136528	Spare part housing blind plugs Standard - 15x M20 Ex-rated blind plugs for housing - Material: Nickel-plated brass
-	SPAREPART-AG-320S-SPACERS	70136527	Spare part housing spacers &- 6x M5x80 mm & 8x M5x25 mm - spacer nuts to affix display unit in enclosure
-	SPAREPART-AG-320S-BP-P1	70136529	Spare part housing blind plugs - GMP - 15x M16 Ex-rated blind plugs for housing - 2x M5 GMP screws for mounting scanner holder - Material: Stainless Steel

Mounting and Installation

No.	Type code	Item No.	Description
(7)	ADAPTER-3200-00-304B-N0	70129832	0° tilted adapter for pedestal, wall arm, ceiling mounting for AG-3200-* housing Surface finish: brushed (Ra <= 0.8 µm) incl. mounting material to fix adapter to housing
	ADAPTER-3200-00-304A-N0	70130769	0° tilted adapter for pedestal, wall arm, ceiling mounting for AG-3200-* housing Surface finish: brushed (Ra <= 1.6 µm) incl. mounting material to fix adapter to housing
(8)	ADAPTER-3200-10-304B-N0	70129831	10° tilted adapter for pedestal mounting for AG-3200-* housing Surface finish: brushed (Ra <= 0.8 µm) incl. mounting material to fix adapter to housing
	ADAPTER-3200-10-304A-N0	70130768	10° tilted adapter for pedestal mounting for AG-3200-* housing Surface finish: brushed (Ra <= 1.6 µm) incl. mounting material to fix adapter to housing
(8a)	ADAPTER-3200-10-304B-M12	70144012	10° tilted adapter for pedestal mounting for AG-3200-* housing prepared for IDM barcode reader (via M12 connector) Surface finish: brushed (Ra <= 0.8 mm) incl. mounting material to fix adapter to housing
(9)	WALL-BRACKET-3200-304A-N0	70129835	Adapter for direct wall mounting compatible with Housing AG-3200-*
(10)	PEDESTAL-3200-131-2-304A-T-N0	70129833	Swivel Pedestal, floor mounting compatible with Housing AG-3200-* - Height: approx. 131 cm - Cable glands: 1x M20, 1x M16 (at bottom)
(11)	PEDESTAL-3200-131-3-304A-T-N0	70129834	Swivel pedestal, floor mounting compatible with housing AG-3200-* - Height: approx. 131 cm - Cable glands: 1x M20, 2x M16 (at bottom)
-	KIT-IDM-Z2-USB-N0	70147948	IDM Z2 USB scanner Kit for VisuNet FLX 3200 System compatible with mounting adapter ADAPTER-3200-10-304B-M12 compatible with IDM Z2 USB scanner & base station Consists of: - 1x M12 Panel Feed Through for FLX mounting adapter (ADAPTER-3200-10-304B-M12) - 1x strain relief latch ATEN Lockpro - 1x cable clamp

Peripherals and Accessories

No.	Type code	Item No.	Description
(12)	EXTA4-*	must be configured	Compatible keyboard with different mouse options
(13)	IDM Zone 2/22 Bluetooth® barcode reader	must be configured	Easy plug-and-play installation with required accessories
(14)	IDM Zone 2/22 corded barcode reader	must be configured	Easy plug-and-play installation with required accessories

Connectivity

No.	Type code	Item No.	Description
-	ST-RJ45-1-BTR	218119	RJ45 Connector for Dual Ethernet
-	KIT-BT-V1-N0	70130677	Bluetooth® Kit for VisuNet FLX 3200 System compatible with Housing AG-3200- - Consists of USB stick, cable and mounting adapter - Bluetooth® standards: v4.0 (and backwards compatible) - Certification: CE, FCC and others - Prepared for mounting into VisuNet FLX system housing



Note

For more options and accessories, contact your local Pepperl+Fuchs sales representative.

Your automation, our passion.

Explosion Protection

- Intrinsic Safety Barriers
- Signal Conditioners
- FieldConnex® Fieldbus
- Remote I/O Systems
- Electrical Ex Equipment
- Purge and Pressurization
- Industrial HMI
- Mobile Computing and Communications
- HART Interface Solutions
- Surge Protection
- Wireless Solutions
- Level Measurement

Industrial Sensors

- Proximity Sensors
- Photoelectric Sensors
- Industrial Vision
- Ultrasonic Sensors
- Rotary Encoders
- Positioning Systems
- Inclination and Acceleration Sensors
- Fieldbus Modules
- AS-Interface
- Identification Systems
- Displays and Signal Processing
- Connectivity

Pepperl+Fuchs Quality

Download our latest policy here:

www.pepperl-fuchs.com/quality

