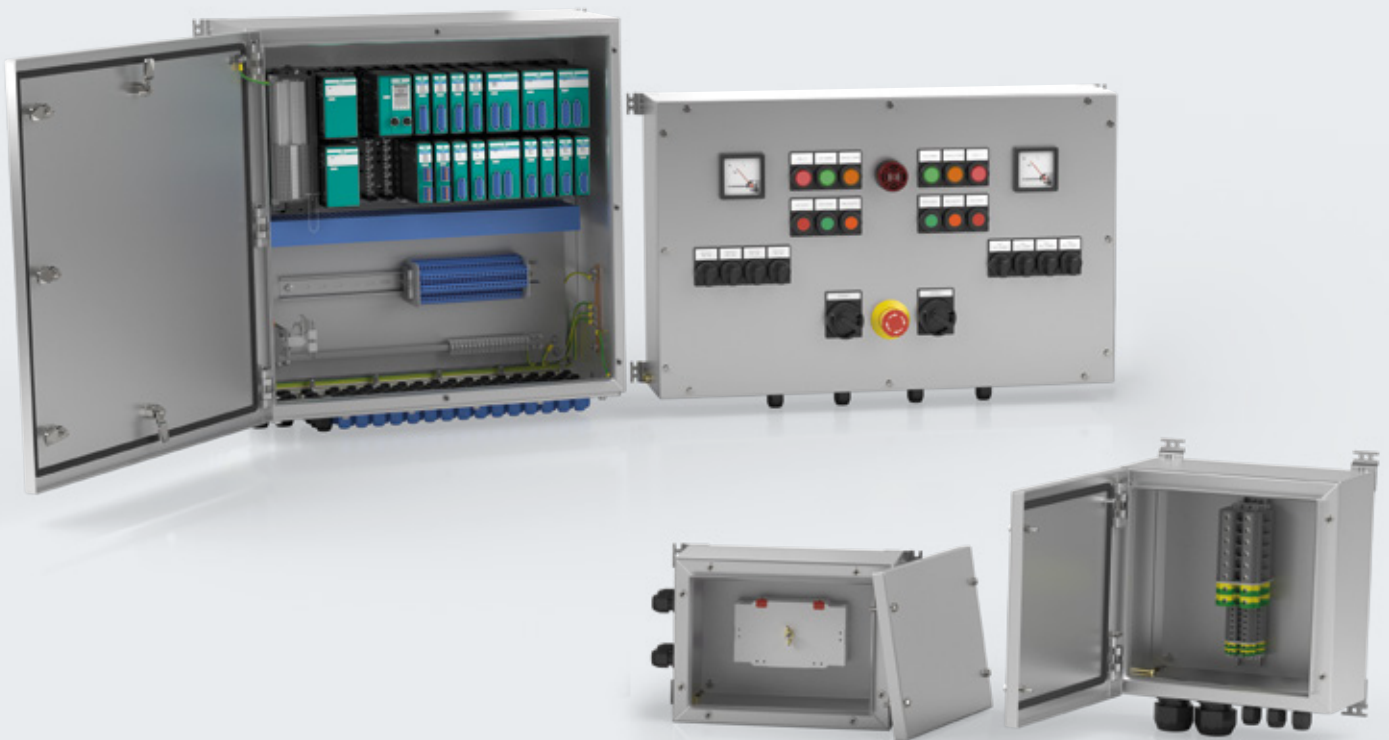


Solutions in Series.

Discover the modular range of enclosures that perfectly solves every application—at every level.

SR Stainless Steel Enclosure Series
for Hazardous Areas



Your automation, our passion.

 **PEPPERL+FUCHS**

SR Series

Maximum Protection and Highest Efficiency— The New Stainless Steel Enclosure Series

The new, stainless steel SR series completes Pepperl+Fuchs' Ex e solution portfolio. Together with its sister series made of glass fiber reinforced polyester, the GR series, Pepperl+Fuchs offers highly flexible and cost-effective control and distribution solutions or different types of protection.

With over 30 enclosure sizes that can be used both horizontally and vertically, the SR series offers various dimensions for a wide range of applications. To increase cost efficiency, the IP66/Type 4X enclosures are reduced to a basic design. Any accessories, such as flange plates, hinges, mounting brackets or lid security can be integrated according to customer specifications. Due to various international approvals, global use in an extensive variety of applications is possible.



SR Stainless Steel Enclosure Series



Optional hinges and quarter-turn locks



90° rotatable mounting feet



At a Glance

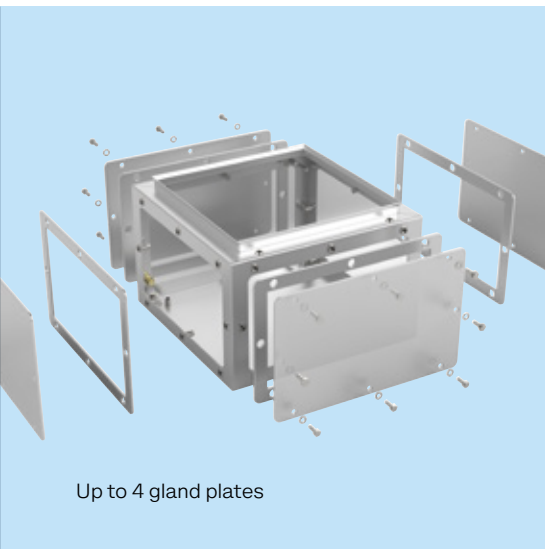
- Additional flexibility due to 90° rotatable mounting brackets and the use of up to four flange plates
- Reliable operation due to IP66 or Type 4X protection for the extended temperature range down to -60 °C
- Numerous possible applications: Control stations, control units, terminal and junction boxes, switch disconnectors and safety switches, Remote I/O and fieldbus solutions

Electrical Explosion Protection by Pepperl+Fuchs

- Comprehensive portfolio of products and solutions for the protection types flameproof (Ex d), increased safety (Ex e), intrinsic safety (Ex i), and purge and pressurization (Ex p)
- Global service and support: Professional support and advice from technical sales specialists for electrical explosion protection
- Customized solutions for the process industry supported by our global Solution Engineering Centers (SEC's)
- International approvals for a large number of industries and applications



For more information, visit
pepperl-fuchs.com/pf-sr



Up to 4 gland plates



Security hasps



SR and GR Series: Solutions in GRP and Stainless Steel

Your automation, our passion.

Explosion Protection

- Intrinsic Safety Barriers
- Signal Conditioners
- FieldConnex® Fieldbus Infrastructure
- Remote I/O Systems
- Electrical Explosion Protection Equipment
- Purge and Pressurization Systems
- HMI Systems
- Mobile Computing and Communications
- HART Interface Solutions
- Surge Protection
- Wireless Solutions
- Level Measurement

Industrial Sensors

- Proximity Sensors
- Photoelectric Sensors
- Industrial Vision
- Ultrasonic Sensors
- Rotary Encoders
- Positioning Systems
- Inclination and Acceleration Sensors
- Vibration Monitoring
- Industrial Ethernet
- AS-Interface
- IO-Link
- Identification Systems
- Displays and Signal Processing
- Connectivity

www.pepperl-fuchs.com

Subject to modifications • © Pepperl+Fuchs
Printed in Germany • Part. No. 70135955 06/23 01 • public



Pepperl+Fuchs Quality

Download our latest policy here:

www.pepperl-fuchs.com/quality