

Brief Instructions

Terminal Boxes SR.T* Stainless Steel

Pepperl-Fuchs SE
Lilienthalstrasse 200
69307 Mannheim, Germany
Tel. +49 621 776-0
Fax +49 621 776-1000

Document No.: DOCT-7292A
Edition: 11/2021

Copyright Pepperl+Fuchs
www.pepperl-fuchs.com



Validity

Specific processes and instructions in this instruction manual require special provisions to guarantee the safety of the operating personnel.

Target Group, Personnel

Responsibility for planning, assembly, commissioning, operation, maintenance, and dismantling lies with the plant operator.

The personnel must be appropriately trained and qualified in order to carry out mounting, installation, commissioning, operation, maintenance, and dismantling of the device. The trained and qualified personnel must have read and understood the instruction manual.

Reference to Further Documentation

Observe laws, standards, and directives applicable to the intended use and the operating location. Observe Directive 1999/92/EC in relation to hazardous areas.

The corresponding datasheets, manuals, declarations of conformity, EC-type-examination certificates, certificates, and control drawings if applicable (see datasheet) are an integral part of this document. You can find this information under www.pepperl-fuchs.com.

Intended Use

The terminal boxes are used to distribute electrical energy and electrical signals in hazardous areas. They must be installed in fixed installations. Intended use includes observing these operating instructions and the other applicable documents, e.g. the data sheet. Any other use of the terminal boxes is not allowed.

Mounting and Installation

Observe the installation instructions according to IEC/EN 60079-14.

Local / national or plant specific electrical, grounding, H&S or installation rules and regulations shall be taken into account during installation.

If you intend to install the device or enclosure in areas that may be exposed to aggressive substances, ensure that the stated surface materials are compatible with these substances. If required, contact Pepperl+Fuchs for further information.

The requirements of the IEC/EN 60079-31 regarding excessive dust deposits must be considered by the user.

Ensure that adequate free air exists around the enclosure, and that it is not subjected to external sources of heating that could affect the stated temperature class.

Safety-relevant markings are found on the enclosure. Additional warnings may be on separate labels besides the main nameplate. Ensure that all labels are present and legible. Take the ambient conditions into account.

The permitted ambient temperatures of the built-in components must not be exceeded.

Ensure that the enclosure is not damaged, distorted, or corroded.

Ensure that all seals are clean, undamaged, and correctly fitted.

Tighten all screws of the enclosure/enclosure cover with the appropriate torque.

Cover screws are designed to be self-captive and they should remain in the cover at all times. If they ever need to be replaced, they have to be screwed

ENG

through the enclosure cover into the associated spacer.

For cable glands only use incoming cable diameters of the appropriate size.

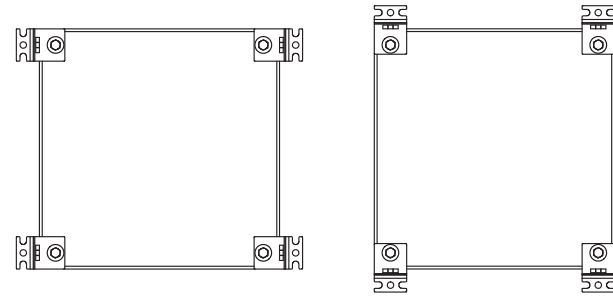
Tighten all cable glands with the appropriate torque.

Close all unused cable glands with the appropriate sealing plugs.

Close all unused enclosure holes with the appropriate stopping plugs.

Only use stopping plugs that are suitably certified for the application.

Only use sealing plugs that are suitably certified for the application.

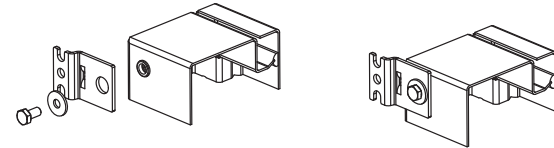


Enclosures can be installed either by means of separate mounting brackets or directly by using the screw holes in the enclosure rear.

Use all existing screw holes for mounting the enclosure.

It is recommended to use screws according to ISO 4762 or equivalent

Follow below instructions when using the optional mounting brackets in horizontal position.



1. Screw the brackets to the screw holes in the enclosure rear
2. Mark the upper screw positions on the mounting surface
3. Fix all upper screws to the mounting surface
4. Hang the enclosure onto the screws by using the bottom notches of the upper brackets
5. Mark the lower screw positions using the central holes of the lower brackets
6. Drill the appropriate screw holes into the mounting surface
7. Fix the lower mounting brackets to the mounting surface by using the central holes
8. Tighten all mounting screws with the appropriate torque

Torque moments depend on the used screws and the material where they are screwed into.

If using the mounting brackets in vertical position always use the central bracket holes.

If mounting the enclosure on concrete use expansion anchors. When mounting the enclosure to a steel framework use vibration resistant mounting material.

Make sure that the enclosure is mounted on a flat surface to avoid distortion of the enclosure and ensure proper sealing function of the cover gasket.

If external ground connections exist, ensure they are in good condition, and are not damaged or corroded.

In order to prevent condensation in the enclosure, use suitably certified breather drains.

Requirements for cable glands:

Only use cable glands that are suitably certified for the application.

Only use cable glands with a temperature range appropriate to the application.

Only use cable glands with an ingress protection appropriate to the application.

Ground metal cable glands.

Requirements regarding temperature:

In order to guarantee the temperature classes, ensure that power dissipation is lower than the figure stated in the certificate. Most of the power dissipation arises from current flowing in the cables.

For terminal boxes installed in ambient temperatures above +40 °C, the cable entry point temperature may rise 40 degrees above the ambient temperature when the maximum allowed power is dissipated. Cable with a suitable temperature rating must be selected.

In case of mixed Ex e / Ex i arrangements, ensure the required minimum distances according to IEC/EN 60079-11.

Requirements for conductors and terminals:

Ensure that the terminals are in good condition and are not damaged or corroded.

Use only one conductor per terminal conductor entry point.

Observe the tightening torque of the terminal screws.

Avoid excessive cable lengths.

Observe the minimum bending radius of the conductors.

When installing the conductors the insulation must reach up to the terminal.

When using stranded conductors, crimp wire end ferrules on the conductor ends.

Unused cables and connection lines must be connected to terminals.

Insulation by tape alone is not permitted.

The use of jumpers may reduce the maximum allowed voltage of the terminal box. Only suitably 'Ex e' certified jumpers which are listed in the certificate of the respective terminal manufacturer are allowed to be fitted.

Observe the special conditions for safe use listed in the manufacturer's documentation.

Do not bunch more than 6 conductors in order to avoid hot spots.

Arrange ground connections for incoming and outgoing cables so that the earth fault current is not carried between separate grounding plates.

When installing additional components, make sure that these components are listed in the relevant certificates.

Only use suitably certified terminals.

Rules for installing additional terminals:

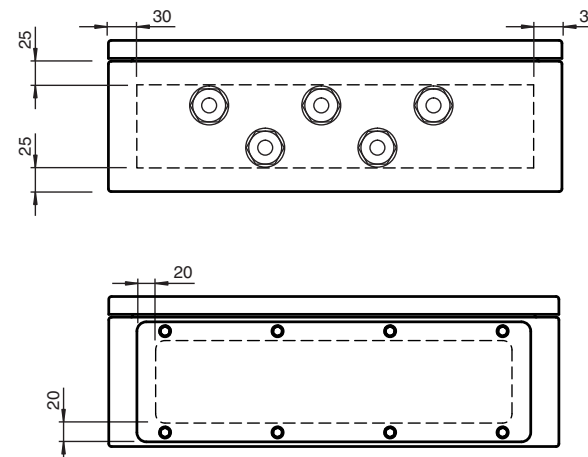
It is allowed to add terminals in accordance with the maximum permitted power dissipation. For calculation and terminal capacity tables please refer to below section 'Maximum Terminal Capacity'.

Rules for bringing in additional thru-holes for glands:

Determine if the space needed for the additional holes does not affect the stability of the enclosure wall and therefore the effectiveness of the gasket system.

In case of doubts consult Pepperl+Fuchs.

Maintain the minimum distances to enclosure rims and bottom as shown in the drawings below.



Calculate the minimum distance from the center of the additional thru-hole to the center of an already existing adjacent thru-hole by means of one of the following formulas:

1. Calculation via diameters

HSN = diameter of adjacent thru-hole

HSA = diameter of additional thru-hole

Minimum distance between centers = $1.5 \times (HSN+HSA)/2$

2. Calculation via widths across corners

WCN = width across corners of adjacent cable gland

WCA = width across corners of additional cable gland

Minimum distance between centers = $1.2 \times (WCN+WCA)/2$

Fabricate the additional thru-holes with an appropriate tooling method.

Ensure the thru-hole diameters are fitting to the gaskets and cable glands to be installed.

Ensure the enclosure surfaces around the thru-holes are undamaged in order to maintain the IP-protection.

Operation, Maintenance, Repair

Observe IEC/EN 60079-14 during operation.

Observe IEC/EN 60079-17 for maintenance and inspection.

Observe IEC/EN 60079-19 for repair and overhaul.

Before opening the enclosure make sure that the built-in components are de-energized.

When energized, the enclosure may only be opened for maintenance, if only intrinsically safe circuits are used inside the enclosure.

The required maintenance intervals depend on the respective application, ambient conditions and national regulations and therefore have to be determined by the user.

Labels, windows and other surfaces which are not protected against electrostatic discharge may be a potential electrostatic charge hazard and shall therefore be cleaned only with a damp cloth.

Before reassembly, make sure both gasket and sealing faces are in good and clean condition to assure the degree of protection.


If there is a defect, the device must be repaired by Pepperl+Fuchs.

Alternatively the device can be repaired by a qualified electrician in compliance with IEC/EN 60079-19.

Delivery, Transport, Disposal

Disposing of device and packaging must be in compliance with the applicable laws and guidelines of the respective country.

Technical Specifications

General	
Types and variants	SR.T* - see type code table
Electrical specifications	
Operating voltage	1100 V AC / DC max. for ATEX / IECEx See certification label
Operating current	350 A max. Dependent on terminals and equipment fitted, but must not exceed maximum. See certification label
Mechanical specifications	
Dimensions	see data table
Enclosure cover	fully detachable
Cover fixing, torque	see data table
Degree of protection	IP66
Mass	see data table
Mounting	screws, optional mounting brackets enclosed
Cable entry	thru-holes or cable glands as per specification
Material	
Enclosure	1.5 mm AISI 316L, (1.4404) stainless steel
Gland Plate	optional 3 mm or 6 mm AISI 316L (1.4404) stainless steel
Finish	brushed
Cover seal	foamed silicone
Cover fixing	stainless steel A4 (V4A) hexagonal head screws, see data table
Grounding	M6 internal/external brass nickel-plated grounding bolt M6 internal stainless steel grounding bolt welded to lid M6 internal stainless steel grounding bolt welded to enclosure body
Ambient conditions	
Ambient temperature	-60 ... 90 °C (-76 ... 194 °F) depending on integrated components
Data for application in connection with hazardous areas	
EU-Type Examination Certificate	CML 20 ATEX 3118U CML 20 ATEX 3156X
Marking	 II 2 GD Ex eb IIC T* Gb, Ex tb IIIC T** Db or Ex ia IIC T* Gb T6/T80 °C @ Ta +40 °C T5/T95 °C @ Ta +55 °C T4/T130 °C @ Ta +60 °C T4/T130 °C @ Ta +90 °C
Maximum power dissipation	Dependent on enclosure size. See certification label
International approvals	
IECEX approval	IECEX CML 20.0076U IECEX CML 20.0094X
Conformity	
Degree of protection	EN 60529
CE marking	0102
Standards	EN IEC 60079-0:2018 EN IEC 60079-7:2015 / A1:2018 EN 60079-11:2012 EN 60079-28:2015 EN 60079-31:2014

Type Code / Model Number

Enclosure type									
SR stainless steel									
Type of solution									
TJE junction box (Ex e)									
TJI junction box (Ex i)									
TBE terminal box (Ex e)									
TBI terminal box (Ex i)									
TBM terminal box, various types of explosion protection, e.g. (Ex e, Ex i) or (Ex e, Ex op pr)									
TB1 terminal box with one terminal									
TFO fiber optic splice box (Ex op pr) empty enclosure (U-certified)									
Height [cm]									
n see dimensions data table									
Width [cm]									
n see dimensions data table									
Depth [cm]									
n see dimensions data table									
Cable entry face orientation									
B face [B] at bottom									
D face [D] at bottom									
Gland plates									
0 none									
1 one gland plate at bottom face									
2 two gland plates									
3 three gland plates									
4 four gland plates									
Variant type									
S standard product									
C configured product									
CA configured and adapted product									
Y engineered product									
U empty enclosure									
Variant number									
xxxxxx									
SR	.TBE	.xx	.xx	.xx	.B	.1	-S	xxxxxx	

Maximum Terminal Capacity

Maximum number of terminals in relation to the cross-section and the permissible continuous current, based on terminal type WDU.

Calculation of terminals quantities:

$$\sum_{k=0}^n \frac{\text{installed terminals quantity}}{\text{permitted terminals quantity}} < 1$$

Example:

- enclosure type GR.T*.36.36.10
- 10 x 6 mm² terminals with an application current of 24 A consume 45% of the rated power dissipation [10 (installed terminal quantity) / 22 (permitted terminal quantity)]
- 20 x 2.5 mm² terminals with an application current of 10 A consume 25% of the rated power dissipation [20 (installed terminal quantity) / 79 (permitted terminal quantity)]
- installation of additional 5 terminals with 2.5 mm² and an application current of 10 A will consume 6% of the rated power dissipation
- 45% + 25% + 6% = 76% < 100%
- result: installation of the additional terminals is permissible

The values shown below are those which result in a maximum 40 degrees rise within the enclosure. Please consult with Pepperl+Fuchs for different temperature rises.

When using below tables, the simultaneous factor or the rated load factor in accordance with IEC 60439 must be taken into consideration.

Terminals carrying only intrinsically safe circuits or earth terminals may be added in any number within the physical capacity of the enclosure.

Terminals shall not be installed within the upper 25% of the height of the enclosure.

Enclosure type:		SRS.10.11.09					
Maximum permitted power dissipation [W]:		5.5					
Permitted number of terminals based on terminal capacity and application current:							
Current [A]	Terminal capacity [mm ²]						
	1.5	2.5	4	6	10	16	
3	14	14	12	9	7	6	
5	14	14	12	9	7	6	
10	14	14	12	9	7	6	
16	5	8	12	9	7	6	
20	0	0	12	9	7	6	
24	0	0	4	9	7	6	
35	0	0	0	2	4	6	
50	0	0	0	0	0	5	
63	0	0	0	0	0	1	

Enclosure type:		SRS.11.14.09					
Maximum permitted power dissipation [W]:		6.3					
Permitted number of terminals based on terminal capacity and application current:							
Current [A]	Terminal capacity [mm ²]						
	1.5	2.5	4	6	10	16	
3	19	19	16	12	9	8	
5	19	19	16	12	9	8	
10	19	19	16	12	9	8	
16	5	8	16	12	9	8	
20	0	0	12	12	9	8	
24	0	0	5	12	9	8	
35	0	0	0	2	4	8	
50	0	0	0	0	0	6	
63	0	0	0	0	0	1	

Enclosure type:		SRS.11.18.09					
Maximum permitted power dissipation [W]:		7.0					
Permitted number of terminals based on terminal capacity and application current:							
Current [A]	Terminal capacity [mm ²]						
	1.5	2.5	4	6	10	16	
3	27	27	22	17	13	11	
5	27	27	22	17	13	11	
10	27	27	22	17	13	11	
16	5	8	22	17	13	11	
20	0	0	12	17	13	11	
24	0	0	4	15	13	11	
35	0	0	0	2	4	11	
50	0	0	0	0	0	6	
63	0	0	0	0	0	2	

Enclosure type:		SRS.11.22.09					
Maximum permitted power dissipation [W]:		7.7					
Permitted number of terminals based on terminal capacity and application current:							
Current [A]	Terminal capacity [mm ²]						
	1.5	2.5	4	6	10	16	
3	34	34	29	22	17	14	
5	34	34	29	22	17	14	
10	31	34	29	22	17	14	
16	5	8	27	22	17	14	
20	0	0	12	22	17	14	
24	0	0	4	15	17	14	
35	0	0	0	2	4	14	
50	0	0	0	0	0	6	
63	0	0	0	0	0	2	

Enclosure type:		SRS.15.15.09					
Maximum permitted power dissipation [W]:		7.7					
Permitted number of terminals based on terminal capacity and application current:							
Current [A]	Terminal capacity [mm ²]						
	1.5	2.5	4	6	10	16	
3	22	22	18	14	11	9	
5	22	22	18	14	11	9	
10	22	22	18	14	11	9	
16	5	8	18	14	11	9	
20	0	0	13	14	11	9	
24	0	0	5	14	11	9	
35	0	0	0	2	5	9	
50	0	0	0	0	0	6	
63	0	0	0	0	0	2	

Enclosure type:		SRS.15.19.09					
Maximum permitted power dissipation [W]:		8.6					
Permitted number of terminals based on terminal capacity and application current:							
Current [A]	Terminal capacity [mm ²]						
	1.5	2.5	4	6	10	16	
3	29	29	25	18	15	12	
5	29	29	25	18	15	12	
10	29	29	25	18	15	12	
16	5	9	25	18	15	12	
20	0	0	13	18	15	12	
24	0	0	5	17	15	12	
35	0	0	0	2	5	12	
50	0	0	0	0	0	7	
63	0	0	0	0	0	2	

Enclosure type:		SRS.19.19.10					
Maximum permitted power dissipation [W]:		10.2					
Permitted number of terminals based on terminal capacity and application current:							
Current [A]	Terminal capacity [mm ²]						
	1.5	2.5	4	6	10	16	
3	29	29	25	18	15	12	
5	29	29	25	18	15	12	
10	29	29	25	18	15	12	
16	6	9	25	18	15	12	
20	0	0	14	18	15	12	
24	0	0	5	18	15	12	
35	0	0	0	2	5	12	
50	0	0	0	0	0	7	
63	0	0	0	0	0	2	

Enclosure type:		SR.26.26.16					
Maximum permitted power dissipation [W]:		17.7					
Permitted number of terminals based on terminal capacity and application current:							
Current [A]	Terminal capacity [mm ²]						
	1.5	2.5	4	6	10	16	
3	75	75	63	47	38	32	
5	75	75	63	47	38	32	
10	49	75	63	47	38	32	
16	7	12	43	47	38	32	
20	0	0	19	44	38	32	
24	0	0	7	24	38	32	
35	0	0	0	2	7	32	
50	0	0	0	0	0	10	
63	0	0	0	0	0	2	

Enclosure type:		SR.31.31.22					
Maximum permitted power dissipation [W]:		18.5					
Permitted number of terminals based on terminal capacity and application current:							
Current [A]	Terminal capacity [mm ²]						
	1.5	2.5	4	6	10	16	
3	94	94	79	59	48	40	
5	94	94	79	59	48	40	
10	42	69	79	59	48	40	
16	6	11	38	59	48	40	
20	0	0	16	39	48	40	
24	0	0	6	21	37	40	
35	0	0	0	2	6	31	
50	0	0	0	0	0	9	
63	0	0	0	0	0	2	

Enclosure type:		SR.38.48.16					
Maximum permitted power dissipation [W]:		27.1					
Permitted number of terminals based on terminal capacity and application current:							
Current [A]	Terminal capacity [mm ²]						
	1.5	2.5	4	6	10	16	
3	239	239	201	152	122	102	
5	239	239	201	152	122	102	
10	49	80	167	152	122	102	
16	7	12	44	86	122	102	
20	0	0	19	45	78	102	
24	0	0	7	24	44	102	
35	0	0	0	2	7	37	
50	0	0	0	0	0	10	
63	0	0	0	0	0	2	

Enclosure type:		SR.19.38.16					
Maximum permitted power dissipation [W]:		18					
Permitted number of terminals based on terminal capacity and application current:							
Current [A]	Terminal capacity [mm ²]						
	1.5	2.5	4	6	10	16	
3	60	60	50	38	30	25	
5	60	60	50	38	30	25	
10	44	60	50	38	30	25	
16	6	11	39	38	30	25	
20	0	0	17	38	30	25	
24	0	0	6	22	30	25	
35	0	0	0	2	6	25	
50	0	0	0	0	0	9	
63	0	0	0	0	0	2	

Enclosure type:		SR.26.26.22					
Maximum permitted power dissipation [W]:		20.4					
Permitted number of terminals based on terminal capacity and application current:							
Current [A]	Terminal capacity [mm ²]						
	1.5	2.5	4	6	10	16	
3	75	75	63	47	38	32	
5	75	75	63	47	38	32	
10	53	75	63	47	38	32	
16	7	13	47	47	38	32	
20	0	0	20	47	38	32	
24	0	0	7	26	38	32	
35	0	0	0	3	7	32	
50	0	0	0	0	0	11	
63	0	0	0	0	0	2	

Enclosure type:		SR.38.38.16					
Maximum permitted power dissipation [W]:		22.3					
Permitted number of terminals based on terminal capacity and application current:							
Current [A]	Terminal capacity [mm ²]						
	1.5	2.5	4	6	10	16	
3	182	182	152	115	92	77	
5	182	182	152	115	92	77	
10	45	74	152	115	92	77	
16	6	11	40	79	92	77	
20	0	0	18	41	71	77	
24	0	0	6	22	40	77	
35	0	0	0	2	6	34	
50	0	0	0	0	0	10	
63	0	0	0	0	0	2	

Enclosure type:		SR.38.48.22					
Maximum permitted power dissipation [W]:		30.9					
Permitted number of terminals based on terminal capacity and application current:							
Current [A]	Terminal capacity [mm ²]						
	1.5	2.5	4	6	10	16	
3	239	239	201	152	122	102	
5	239	239	201	152	122	102	
10	54	89	186	152	122	102	
16	8	13	49	96	122	102	
20	0	0	21	50	87	102	
24	0	0	8	27	49	102	
35	0	0	0	3	8	41	
50	0	0	0	0	0	12	
63	0	0	0	0	0	3	

Enclosure type:		SR.23.30.16					
Maximum permitted power dissipation [W]:		17.7					
Permitted number of terminals based on terminal capacity and application current:							
Current [A]	Terminal capacity [mm ²]						
	1.5	2.5	4	6	10	16	
3	45	45	38	28	23	19	
5	45	45	38	28	23	19	
10	45	45	38	28	23	19	
16	7	12	38	28	23	19	
20	0	0	18	28	23	19	
24	0	0	7	23	23	19	
35	0	0	0	2	7	19	
50	0	0	0	0	0	10	
63	0	0	0	0	0	2	

Enclosure type:		SR.31.31.09					
Maximum permitted power dissipation [W]:		12.1					
Permitted number of terminals based on terminal capacity and application current:							
Current [A]	Terminal capacity [mm ²]						
	1.5	2.5	4	6	10	16	
3	94	94	79	59	48	40	
5	94	94	79	59	48	40	
10	30	49	79	59	48	40	
16	4	8	27	53	48	40	
20	0	0	12	28	47	40	
24	0	0	4	15	26	40	
35	0	0	0	2	4	22	
50	0	0	0	0	0	6	
63	0	0	0	0	0	2	

Enclosure type:		SR.38.38.22					
Maximum permitted power dissipation [W]:		25.8					
Permitted number of terminals based on terminal capacity and application current:							
Current [A]	Terminal capacity [mm ²]						
	1.5	2.5	4	6	10	16	
3	182	182	152	115	92	77	
5	182	182	152	115	92	77	
10	50	83	152	115	92	77	
16	7	13	45	89	92	77	
20	0	0	20	46	80	77	
24	0	0	7	25	45	77	
35	0	0	0	3	7	38	
50	0	0	0	0	0	11	
63	0	0	0	0	0	2	

Enclosure type:		SR.38.76.16					
Maximum permitted power dissipation [W]:		40.3					
Permitted number of terminals based on terminal capacity and application current:							
Current [A]	Terminal capacity [mm ²]						
	1.5	2.5	4	6	10	16	
3	401	401	336	254	204	171	
5	330	401	336	254	204	171	
10	54	89	187	254	204	171	
16	8	13	49	96	165	171	
20	0	0	21	50	88	171	
24	0	0	8	27	49	120	
35	0	0	0	3	8	43	
50	0	0	0	0	0	12	
63	0	0	0	0	0	3	

Enclosure type:		SR.26.26.09					
Maximum permitted power dissipation [W]:		14.4					
Permitted number of terminals based on terminal capacity and application current:							
Current [A]	Terminal capacity [mm ²]						
	1.5	2.5	4	6	10	16	
3	75	75	63	47	38	32	
5	75	75	63	47	38	32	
10	42	67	63	47	38	32	
16	6	10	37	47	38	32	
20	0	0	16	38	38	32	
24	0	0	6	20	36	32	
35	0	0	0	2	6	29	
50	0	0	0	0	0	8	
63	0	0	0	0	0	2	

Enclosure type:		SR.31.31.16					
Maximum permitted power dissipation [W]:		15.6					
Permitted number of terminals based on terminal capacity and application current:							
Current [A]	Terminal capacity [mm ²]						
	1.5	2.5	4	6	10	16	
3	94	94	79	59	48	40	
5	94	94	79	59	48	40	
10	37	61	79	59	48	40	
16	5	9	33	59	48	40	
20	0	0	15	34	48	40	
24	0	0	5	18	33	40	
35	0	0	0	2	5	27	
50	0	0	0	0	0	8	
63	0	0	0	0	0	2	

Enclosure type:		SR.38.48.09					
Maximum permitted power dissipation [W]:		22.4					
Permitted number of terminals based on terminal capacity and application current:							
Current [A]	Terminal capacity [mm ²]						
	1.5	2.5	4	6	10	16	
3	239	239	201	152	122	102	
5	239	239	201	152	122	102	
10	41	68	141	152	122	102	
16	6	10	37	73	122	102	
20	0	0	16	38	66	102	
24	0	0	6	21	37	88	
35	0	0	0	2	6	31	
50	0	0	0	0	0	9	
63	0	0	0	0	0	2	

Enclosure type:		SR.40.60.22					
Maximum permitted power dissipation [W]:		38.6					
Permitted number of terminals based on terminal capacity and application current:							
Current [A]	Terminal capacity [mm ²]						
	1.5	2.5	4	6	10	16	
3	309	309	259	196	157	131	
5	309	309	259				

Enclosure type:		SR.48.48.16					
Maximum permitted power dissipation [W]:		33.6					
Permitted number of terminals based on terminal capacity and application current:							
Current [A]	Terminal capacity [mm ²]						
	1.5	2.5	4	6	10	16	
3	319	319	268	202	163	136	
5	319	319	268	202	163	136	
10	55	91	190	202	163	136	
16	8	14	50	98	163	136	
20	0	0	22	51	89	136	
24	0	0	8	28	50	119	
35	0	0	0	3	8	43	
50	0	0	0	0	0	12	
63	0	0	0	0	0	3	

Enclosure type:		SR.60.60.26					
Maximum permitted power dissipation [W]:		59.2					
Permitted number of terminals based on terminal capacity and application current:							
Current [A]	Terminal capacity [mm ²]						
	1.5	2.5	4	6	10	16	
3	515	515	432	326	262	219	
5	473	515	432	326	262	219	
10	77	128	267	326	262	219	
16	11	19	70	138	236	219	
20	0	0	30	72	126	219	
24	0	0	11	39	70	172	
35	0	0	0	4	11	61	
50	0	0	0	0	0	17	
63	0	0	0	0	0	4	

Enclosure type:		SR.120.120.30					
Maximum permitted power dissipation [W]:		201.7					
Permitted number of terminals based on terminal capacity and application current:							
Current [A]	Terminal capacity [mm ²]						
	1.5	2.5	4	6	10	16	
3	2184	2184	1831	1385	1113	930	
5	847	1403	1831	1385	1113	930	
10	137	231	484	823	1113	930	
16	19	34	127	251	435	859	
20	0	0	54	131	232	508	
24	0	0	19	70	129	324	
35	0	0	0	6	20	115	
50	0	0	0	0	0	32	
63	0	0	0	0	0	6	

Enclosure type:		SR.48.48.22					
Maximum permitted power dissipation [W]:		38.1					
Permitted number of terminals based on terminal capacity and application current:							
Current [A]	Terminal capacity [mm ²]						
	1.5	2.5	4	6	10	16	
3	319	319	268	202	163	136	
5	319	319	268	202	163	136	
10	61	101	211	202	163	136	
16	9	15	55	109	163	136	
20	0	0	24	57	99	136	
24	0	0	9	31	55	133	
35	0	0	0	3	9	47	
50	0	0	0	0	0	13	
63	0	0	0	0	0	3	

Enclosure type:		SR.80.80.30					
Maximum permitted power dissipation [W]:		100.9					
Permitted number of terminals based on terminal capacity and application current:							
Current [A]	Terminal capacity [mm ²]						
	1.5	2.5	4	6	10	16	
3	849	849	712	538	432	361	
5	618	849	712	538	432	361	
10	100	168	351	538	432	361	
16	14	25	92	182	312	361	
20	0	0	39	95	167	361	
24	0	0	14	51	93	230	
35	0	0	0	5	14	82	
50	0	0	0	0	0	23	
63	0	0	0	0	0	5	

Enclosure type:		SR.130.80.30					
Maximum permitted power dissipation [W]:		157.5					
Permitted number of terminals based on terminal capacity and application current:							
Current [A]	Terminal capacity [mm ²]						
	1.5	2.5	4	6	10	16	
3	1415	1415	1186	897	721	603	
5	731	1209	1186	897	721	603	
10	118	199	418	709	721	603	
16	16	30	109	216	374	603	
20	0	0	47	113	200	436	
24	0	0	17	60	111	278	
35	0	0	0	5	17	99	
50	0	0	0	0	0	27	
63	0	0	0	0	0	6	

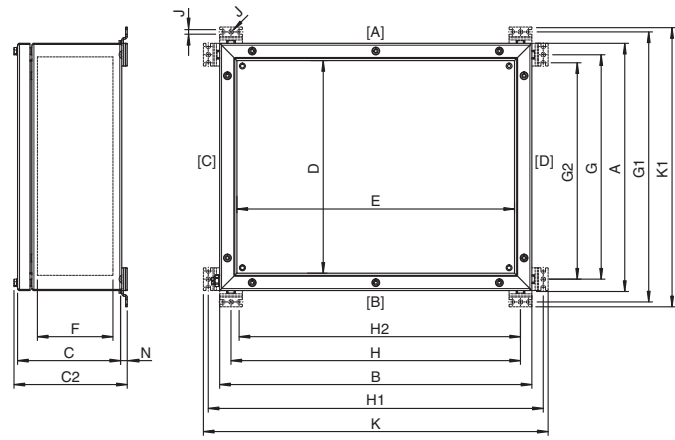
Enclosure type:		SR.48.76.16					
Maximum permitted power dissipation [W]:		49.8					
Permitted number of terminals based on terminal capacity and application current:							
Current [A]	Terminal capacity [mm ²]						
	1.5	2.5	4	6	10	16	
3	535	535	448	339	272	228	
5	387	535	448	339	272	228	
10	63	105	219	339	272	228	
16	9	16	57	113	193	228	
20	0	0	25	59	104	221	
24	0	0	9	32	58	141	
35	0	0	0	3	9	50	
50	0	0	0	0	0	14	
63	0	0	0	0	0	3	

Enclosure type:		SR.90.60.30					
Maximum permitted power dissipation [W]:		90.6					
Permitted number of terminals based on terminal capacity and application current:							
Current [A]	Terminal capacity [mm ²]						
	1.5	2.5	4	6	10	16	
3	721	721	604	457	367	307	
5	578	721	604	457	367	307	
10	94	157	328	457	367	307	
16	13	23	86	170	292	307	
20	0	0	37	89	156	307	
24	0	0	13	48	87	214	
35	0	0	0	4	13	76	
50	0	0	0	0	0	21	
63	0	0	0	0	0	4	

Enclosure type:		SR.48.76.22					
Maximum permitted power dissipation [W]:		55.1					
Permitted number of terminals based on terminal capacity and application current:							
Current [A]	Terminal capacity [mm ²]						
	1.5	2.5	4	6	10	16	
3	535	535	448	339	272	228	
5	423	535	448	339	272	228	
10	69	114	239	339	272	228	
16	10	17	63	124	211	228	
20	0	0	27	65	113	228	
24	0	0	10	35	63	154	
35	0	0	0	3	10	55	
50	0	0	0	0	0	15	
63	0	0	0	0	0	3	

Enclosure type:		SR.100.80.30					
Maximum permitted power dissipation [W]:		123.5					
Permitted number of terminals based on terminal capacity and application current:							
Current [A]	Terminal capacity [mm ²]						
	1.5	2.5	4	6	10	16	
3	1132	1132	949	717	577	482	
5	675	1114	949	717	577	482	
10	110	184	385	652	577	482	
16	15	27	101	199	343	482	
20	0	0	43	104	183	398	
24	0	0	15	56	102	254	
35	0	0	0	5	16	90	
50	0	0	0	0	0	25	
63	0	0	0	0	0	5	

Variant-Specific Data - Dimensions and Enclosure Details



Type	External dimensions [mm]						Internal dimensions [mm]			Mounting [mm]									Mass approx. [kg]	Cover screws			Max. power dissipation [W]
	A	B	C	C2	K	K1	D	E	F	G	G1	G2	H	H1	H2	J	N	screws qty.		Mx	qty.	torque [Nm]	
SRS.10.11.09	96	110	87	92	145	-	72	86	-	130	41	25.8	-	-	-	6	8.5	4	0.7	M6	4	3.5	5.5
SRS.11.14.09	136	110	87	92	145	-	112	86	-	130	81	68.5	-	-	-	6	8.5	4	1	M6	4	3.5	6.3
SRS.11.18.09	176	110	87	92	145	-	152	86	-	130	121	108.5	-	-	-	6	8.5	4	1.2	M6	4	3.5	7
SRS.11.22.09	216	110	87	92	145	-	192	86	-	130	161	148.5	-	-	-	6	8.5	4	1.5	M6	4	3.5	7.7
SRS.15.15.09	150	150	91.5	96.5	185	-	126	126	-	170	95	82.5	-	-	-	6	8.5	4	1.9	M6	4	3.5	7.7
SRS.15.19.09	150	190	91.5	96.5	225	-	126	166	-	210	95	82.5	-	-	-	6	8.5	4	2	M6	4	3.5	8.6
SRS.19.19.10	190	190	101.5	106.5	225	-	166	166	-	210	135	122.5	-	-	-	6	8.5	4	3	M6	4	3.5	10.2
SRM.19.38.16	190	380	160	174	430	240	136	326	124.5	415	155	142.5	345	225	212.5	7	8.5	4 (B)	6.2	M6	4	3.5	18
SRM.23.30.16	230	300	160	174	350	280	176	246	124.5	335	195	182.5	265	265	252.5	7	8.5	4 (B)	5.8	M6	4	3.5	17.7
SRM.26.26.09	260	260	87	101	310	310	206	206	51.5	295	225	212.5	225	295	282.5	7	8.5	4 (B)	5.3	M6	4	3.5	14.4
SRM.26.26.16	260	260	160	174	310	310	206	206	124.5	295	225	212.5	225	295	282.5	7	8.5	4 (B)	5.8	M6	4	3.5	17.7
SRM.26.26.22	260	260	220	234	310	310	206	206	184.5	295	225	212.5	225	295	282.5	7	8.5	4 (B)	6.3	M6	4	3.5	20.4
SRM.31.31.09	310	310	87	101	360	360	256	256	51.5	345	275	262.5	275	345	332.5	7	8.5	4 (B)	7.2	M6	4	3.5	12.1
SRM.31.31.16	310	310	160	174	360	360	256	256	124.5	345	275	262.5	275	345	332.5	7	8.5	4 (B)	8	M6	4	3.5	15.6
SRM.31.31.22	310	310	220	234	360	360	256	256	184.5	345	275	262.5	275	345	332.5	7	8.5	4 (B)	8.8	M6	4	3.5	18.5
SRM.38.38.16	380	380	160	174	430	430	326	326	124.5	415	345	332.5	345	415	402.5	7	8.5	4 (B)	10	M6	4	3.5	22.3
SRM.38.38.22	380	380	220	234	430	430	326	326	184.5	415	345	332.5	345	415	402.5	7	8.5	4 (B)	11	M6	4	3.5	25.8
SRM.38.48.09	380	380	87	101	530	430	326	426	51.5	515	345	332.5	445	415	402.5	7	8.5	4 (B)	11	M6	6	3.5	22.4
SRM.38.48.16	380	480	160	174	530	430	326	426	124.5	515	345	332.5	445	415	402.5	7	8.5	4 (B)	12	M6	6	3.5	27.1
SRM.38.48.22	380	480	220	234	530	430	326	426	184.5	515	345	332.5	445	415	402.5	7	8.5	4 (B)	13	M6	6	3.5	30.9
SRL.38.76.16	380	760	160	174	810	430	326	706	124.5	795	345	332.5	725	415	402.5	7	8.5	4 (B)	15	M6	6	3.5	40.3
SRL.40.60.22.B	400	600	220	234	650	450	346	546	184.5	635	365	352.5	565	435	422.5	7	8.5	4 (B)	15.5	M6	6	3.5	38.6
SRL.48.48.16	480	480	160	174	530	530	426	426	124.5	515	445	432.5	445	515	502.5	7	8.5	4 (B)	14	M6	8	3.5	33.6
SRL.48.48.22	480	480	220	234	530	530	426	426	184.5	515	445	432.5	445	515	502.5	7	8.5	4 (B)	16	M6	8	3.5	38.1
SRL.48.76.16	480	760	160	174	810	530	426	706	124.5	795	445	432.5	725	515	502.5	7	8.5	4 (B)	20	M6	8	3.5	49.8
SRL.48.76.22	480	760	220	234	810	530	426	706	184.5	795	445	432.5	725	515	502.5	7	8.5	4 (B)	22	M6	8	3.5	55.1
SRL.60.60.26.B	600	600	260	274	650	650	546	546	224.5	635	565	552.5	565	636	623.5	7	8.5	4 (B)	24	M6	8	3.5	59.2
SRX.80.80.30.B	800	800	300	314	850	850	746	746	264.5	835	765	752.5	765	835	822.5	7	8.5	6 (B)	34	M6	8	3.5	100.9
SRX.90.60.30	900	600	300	314	650	950	846	546	264.5	635	865	852.5	565	935	922.5	7	8.5	6 (B)	33	M6	10	3.5	90.6
SRX.100.80.30.B	1000	800	300	314	850	1050	946	746	264.5	835	765	752.5	1035	850	837.5	7	8.5	6 (B)	49	M6	10	3.5	123.5
SRX.120.120.30.B	1200	1200	300	314	1250	1250	1146	1146	264.5	1235	1165	1152.5	1165	1235	1222.5	7	8.5	6 (B)	65	M6	16	3.5	201.7
SRX.130.80.30.B	1300	800	300	314	850	1350	1246	746	264.5	835	1265	1252.5	765	1335	1322.5	7	8.5	6 (B)	57	M6	12	3.5	157.5

Mass is valid for empty enclosure, it will increase according to enclosure accessories, integrated components and cable glands
 Values might differ slightly due to manufacturing tolerances
 screws qty.: Quantity of screws for direct mounting, (B) = optional mounting brackets included

Variant-Specific Data - Terminal Configurations with Standard Terminals, Cable Entries max. Quantity per Size

Type	DIN-Rails vertical				DIN-Rails horizontal				Terminal type	Terminal capacity [mm ²]	Cable entry area		Faces A and B				Faces C and D			
	Number of rails	Useable length per rail [mm]	Terminals per rail	Terminals total	Number of rails	Useable length per rail [mm]	Terminals per rail	Terminals total			Faces A and B [mm]	Faces C and D [mm]	M16	M20	M25	M32	M16	M20	M25	M32
													1/4"	1/2"	3/4"	1"	1/4"	1/2"	3/4"	1"
SRS.10.11.09	1	34	6	6	-	-	-	-	WDU	2.5	-	-	-	-	2	1	1	-		
SRS.11.14.09	1	75	14	14	-	-	-	-	WDU	2.5	-	-	4	3	2	1	5	4	2	1
SRS.11.18.09	1	140	27	27	-	-	-	-	WDU	2.5	-	-	4	3	2	1	9	7	3	2
SRS.11.22.09	1	140	27	27	-	-	-	-	WDU	2.5	-	-	4	3	2	1	12	9	5	3
SRS.15.15.09	1	110	21	21	1	110	21	21	WDU	2.5	140 x 65	140 x 65	8	6	3	2	7	5	3	2
SRS.15.19.09	1	110	21	21	1	150	29	29	WDU	2.5	180 x 65	140 x 65	10	8	5	3	7	5	3	2
SRS.19.19.10	1	150	29	29	1	150	29	29	WDU	2.5	180 x 75	180 x 75	13	8	7	3	13	7	6	2
SRM.19.38.16	3	110	21	63	1	300	58	58	WDU	2.5	320 x 128	130 x 128	14	11	7	3	42	34	23	11
SRM.23.30.16	2	150	29	58	1	220	43	43	WDU	2.5	240 x 128	170 x 128	17	12	7	5	28	24	15	7
SRM.26.26.09	2	180	35	70	2	180	35	70	WDU	2.5	210 x 55	210 x 55	7	6	5	-	7	5	5	-
SRM.26.26.16	2	180	35	70	2	180	35	70	WDU	2.5	210 x 88	160 x 88	26	20	14	6	26	20	14	6
SRM.26.26.22	2	180	35	70	2	180	35	70	WDU	2.5	210 x 148	160 x 168	45	31	21	8	45	31	21	7
SRM.31.31.09	2	230	45	90	2	230	45	90	WDU	2.5	260 x 55	260 x 55	8	6	5	-	8	6	5	-
SRM.31.31.16	2	230	45	90	2	230	45	90	WDU	2.5	300 x 128	250 x 128	34	26	17	7	34	26	17	7
SRM.31.31.22	2	230	45	90	2	230	45	90	WDU	2.5	300 x 188	250 x 188	58	39	26	12	58	39	26	12
SRM.38.38.16	3	300	58	174	3	300	58	174	WDU	2.5	370 x 128	320 x 128	42	34	23	11	42	34	23	11
SRM.38.38.22	3	300	58	174	3	300	58	174	WDU	2.5	370 x 188	320 x 188	72	49	36	16	72	49	36	15
SRM.38.48.09	4	300	58	232	3	400	78	234	WDU	2.5	330 x 55	430 x 55	9	7	6	-	10	7	6	-
SRM.38.48.16	4	300	58	232	3	400	78	234	WDU	2.5	420 x 128	320 x 128	42	34	23	11	54	45	27	13
SRM.38.48.22	4	300	58	232	3	400	78	234	WDU	2.5	420 x 188	320 x 188	72	49	36	16	101	72	48	21
SRL.38.76.16	6	300	58	348	3	680	133	399	WDU	2.5	700 x 128	320 x 128	42	34	23	11	96	76	49	24
SRL.40.60.22.B	5	320	62	310	3	520	101	303	WDU	2.5	540 x 188	340 x 188	77	55	37	17	135	91	66	27
SRL.48.48.16	4	400	78	312	4	400	78	312	WDU	2.5	470 x 128	420 x 128	54	45	27	13	54	45	27	13
SRL.48.48.22	4	400	78	312	4	400	78	312	WDU	2.5	470 x 188	420 x 188	101	72	48	21	101	72	48	21
SRL.48.76.16	6	400	78	468	4	680	133	532	WDU	2.5	700 x 128	420 x 128	54	45	27	13	96	76	49	25
SRL.48.76.22	6	400	78	468	4	680	133	532	WDU	2.5	700 x 188	420 x 188	101	72	48	21	169	120	82	37
SRL.60.60.26.B	5	520	101	505	5	520	101	505	WDU	2.5	590 x 228	540 x 228	135	92	66	29	135	92	66	29
SRX.80.80.30.B	6	720	141	846	6	720	141	846	WDU	2.5	790 x 268	740 x 268	183	128	90	38	183	128	90	38
SRX.90.60.30	5	820	160	800	7	520	101	707	WDU	2.5	590 x 268	840 x 268	209	143	100	44	135	92	66	29
SRX.100.80.30.B	6	920	160	960	8	720	141	1128	WDU	2.5	790 x 268	940 x 268	234	162	115	50	183	128	90	38
SRX.120.120.30.B	10	1120	219	2190	10	1120	219	2190	WDU	2.5	1190 x 268	1140 x 268	283	197	138	59	283	197	138	59
SRX.130.80.30.B	6	1120	239	1434	10	720	141	1410	WDU	2.5	790 x 268	1240 x 268	311	213	148	64	183	128	90	38

For other terminal types and terminal capacities please contact Pepperl+Fuchs
 Cable gland standard type: polyamide Ex e cable glands
 For other types of cable glands and combinations of different gland sizes please contact Pepperl+Fuchs