

# AVEVA Mobile Operator Solutions



Mobile Operator and eSENTINEL combining an effective operations management system with improved operator's safety.

## At a Glance

### **Ecom Mobile Devices Empowering Field Workers**

to be part of reliability solutions that drive collective behavior and create a culture of asset ownership between operations and maintenance.



Your automation, our passion.



## The Application

AVEVA Mobile Operator sustains operational process improvements and is a key component of an effective operations management system. Helping ensure that best operating and regulatory procedures are followed at all times.

## The Goal

To empower field workers to be part of reliability solutions that drive collective behavior and create a culture of asset ownership between operations and maintenance.

## The Solution

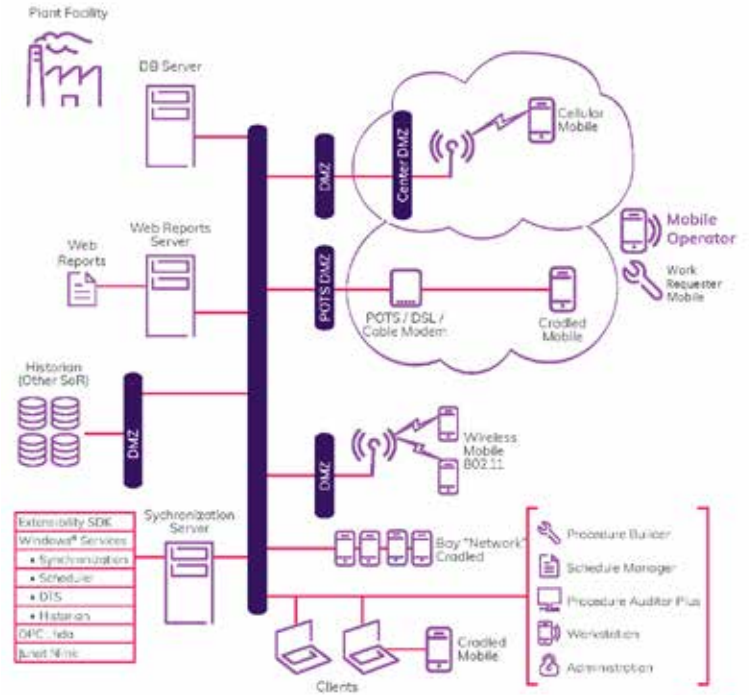
AVEVA's Mobile Operator brings the field operator into the automation loop by utilizing a combination of workforce management software, mobile handheld computers, monitoring devices and Radio Frequency Identification (RFID) equipment tags or bar codes. This mobile framework results in a significantly

improved support system for managing plant assets with fewer data capture errors.

The AVEVA Mobile Operator App can run on ecom's intrinsically safe tablets and smartphones.

The Pepperl+Fuchs brand ecom has also developed the eSENTINEL app, an easy-to-use tool for improving employee safety. It's the ideal tool for lone workers or tasks with higher risk.

As a perfect supplement to AVEVA's extensive capabilities, Pepperl+Fuchs' eSENTINEL application provides a simple way to reach help in emergency situations via dedicated alert key on the Smart-Ex 02 for hazardous location environments. The app activates the alert when a predefined timer reaches zero or when the phone is inclined below a certain angle.



## The Benefits

Nowhere is the power of the digital transformation more evident than in the mobility sector. By connecting the mobile work force with real-time system information and empowering subject matter expert's global support via the use of remote access, AVEVA and Pepperl+Fuchs act as the building blocks for Industry 4.0.

Equipment condition data such as vibration or temperature can be easily collected by field operators using a mobile solution as they do their regular operating rounds. Stranded or non-instrumented plant assets can now be efficiently monitored.

The asset-centric approach allows data collected by any operator or plant worker to be aggregated together for a common asset history. This means a more complete and comprehensive view of asset performance and health.

## Technical Features

- Initiates SMS or phone calls
- Starts as system service after reboot
- Pre-configurable via XML file (Before installing the APK: Download the XML file with its corresponding settings to the "Downloads" folder on your device)
- Password protection to avoid accidental changes by operators



**Smart-Ex 02 (DZ1)**  
Smartphone for Class I, Div. 1 & Zone 1/21



**Smart-Ex 02 (DZ2)**  
Smartphone for Class I, Div. 2 & Zone 2/22



**Tab-Ex 02/03 (DZ2)**  
Tablet for Class I, Div. 2 & Zone 2/22



**Tab-Ex 02 (DZ1)**  
Tablet for Class I, Div. 1 & Zone 1/21



**Tab-Ex Pro DZ2**  
Tablet for Class I, Div. 2 & Zone 2/22