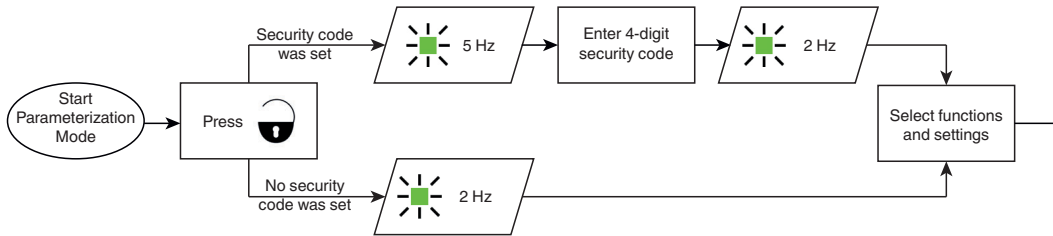


RADAR RC (Remote Control)

RADAR RC for ECHO-D

Commissioning

Parameterization Mode



Setting Detection Area Size

	→ Key	→ ① ... ⑨
Sensitivity	SENS	1 = small detection area... 9 = large detection area default: 7

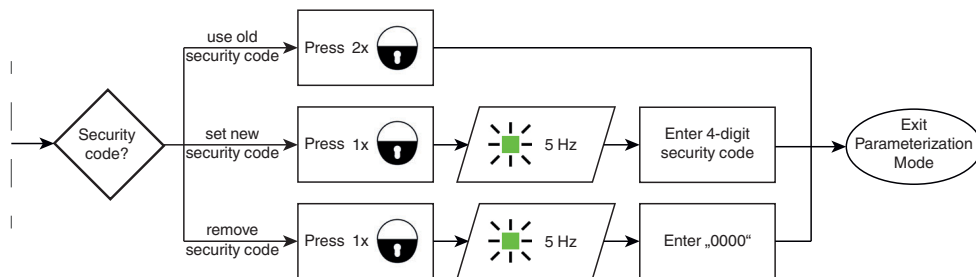
Selecting Functions and Setting Adjustment Range

	→ Key	→ ①	②	③	④
Relay switching type	OUT	relay n.o.	relay n.c.	open	closed
Hold Time	TIME	1.5 s	3 s		
Immunity	IMM	normal	high		
Direction Detection	DIR	approaching and receding	approaching only		
Cross-traffic suppression	SUPP	off	mounting height < 2.5 m	mounting height 2.5 m ... 3.5 m	mounting height > 3.5 m
Slow-motion mode	STEP	enabled	disabled		

bold = Factory setting

Resetting to Factory Settings

	→ Key	→ ⑨
Factory setting	SET	Sensor returns to factory setting.



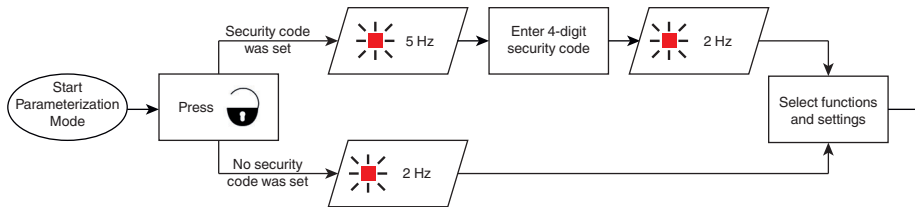
RADAR RC for RMS-D-RC

Commissioning



Set DIP switch 5 and 6 to the OFF position.

Parameterization Mode



Setting Detection Area Size

	→ Key	→ ① ... ⑨
Sensitivity	SENS	1 = small detection area ... 9 = large detection area default: 7

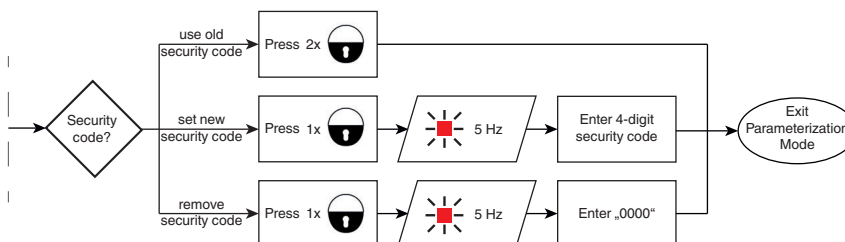
Selecting Functions and Settings Adjustment Range

	→ Key	→ ①	②	③	④	⑤
Switching Output	OUT	relay n.o.	relay n.c.			
Detection mode Detection of objects that move...	DIR	approaching and receding	approaching only	object detected: approaching and receding no object detected: approaching	receding only	object detected: approaching and receding no object detected: receding
Sensor Operation	F2	automatic	permanently detected	permanently not detected		
Mounting height	D or OPER	< 3 m	> 3 m			
Hold Time	TIME	0 = 0.5 s 1 = 1 s ... 9 = 9 s default: 1				
Immunity	IMM	1 = lowest filtering ... 9 = maximum filtering default: 2				
Cross-traffic sup- pression	SUPP	0 = OFF ... 9 = maximum suppression default: 1				
Query	?	Query the value of the previously pressed key				

bold = Factory setting

Resetting to Factory Settings

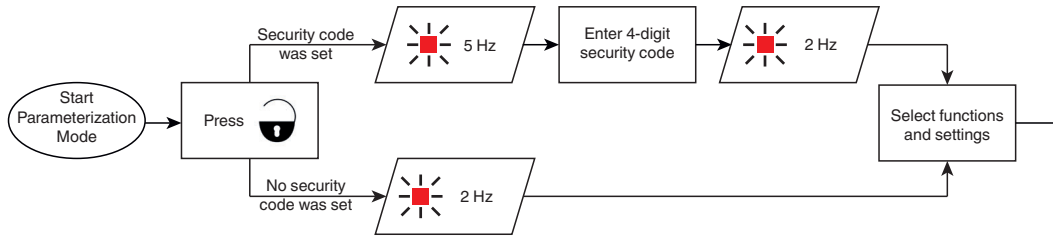
	→ Key	→ ⑨
Factory setting	SET	Sensor returns to factory setting.



RADAR RC for RAVE-D

Commissioning

Parameterization Mode



Setting Detection Area Size

	→ Key	→ ① ... ⑨
Sensitivity	SENS	1 = small detection area ... 9 = large detection area default: 5

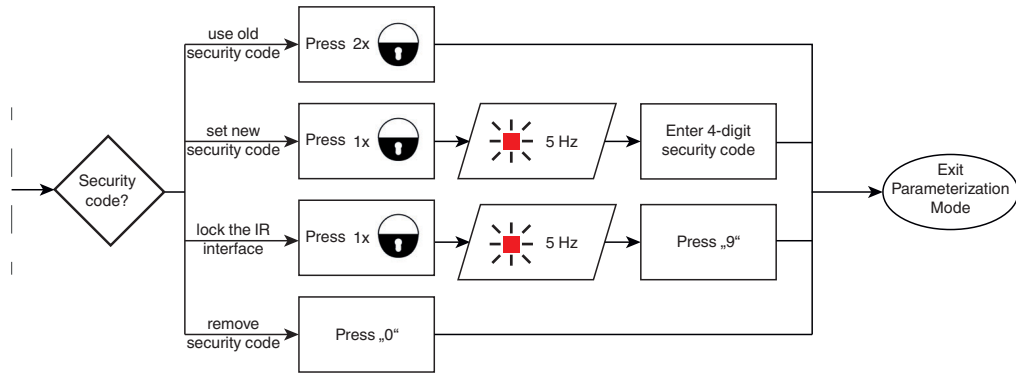
Selecting Functions and Setting Adjustment Range

	→ Key	→ ① ② ③ ④ ⑤ ⑥ ⑦ ⑧ ⑨
Switching output	OUT	relay n.o. relay n.c.
Vehicle detection	CAR	low medium high
Human-presence detection	PER	1 = minimum ... 7 = maximum default: 1
Vehicle-presence relay	OCAR	Vehicle approaching Vehicle receding Vehicle approaching/receding Person/vehicle approaching Person/vehicle receding Person/vehicle approaching/receding
Human-presence relay	OPER	Person approaching Person receding Person approaching/receding Vehicle approaching Vehicle receding Vehicle approaching/receding
Hold Time	TIME	0.5 s 1 s 2 s 3 s 5 s 10 s 20 s 30 s 60 s 300 s
Responsiveness	STEP	fast normal slow
Sensor operation	F2	automatic vehicle and person relay permanently closed vehicle relay closed, person relay open vehicle relay open, person relay closed vehicle and person relay permanently open
SW revision query	F1	Red LED flashes as per main version. Green LED flashes as per sub-version.
Query	?	Query the value of the previously pressed key

bold = Factory setting

Resetting to Factory Settings

	→ Key	→ ⑨
Factory setting	SET	Sensor returns to factory setting.



For the 4-digit security code, only digits 1 ... 4 are permitted.