

RADAR Ceiling Kit

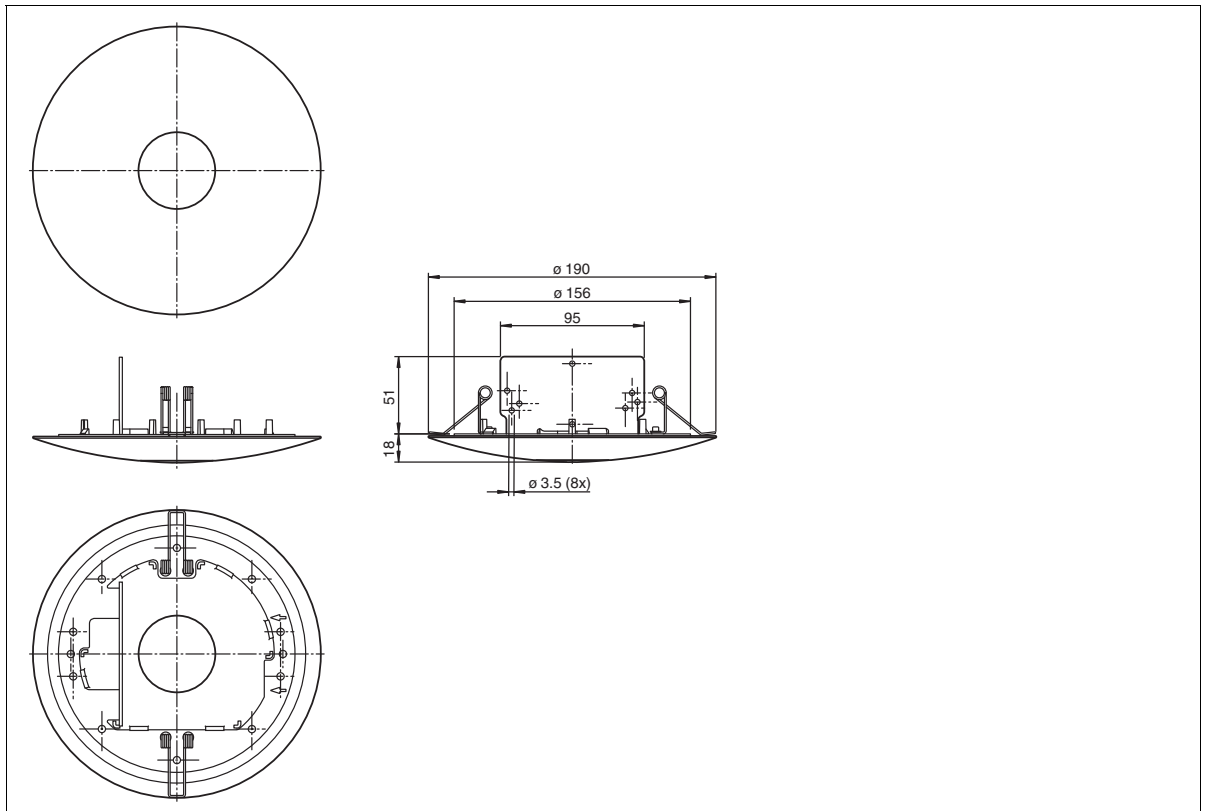


Safety

Prior to using the product make yourself familiar with it. Read the instruction manual carefully.

The personnel must be appropriately trained and qualified in order to carry out mounting, installation, commissioning, operation, maintenance, and dismantling of the device. The trained and qualified personnel must have read and understood the instruction manual.

Dimensions



Technical Data

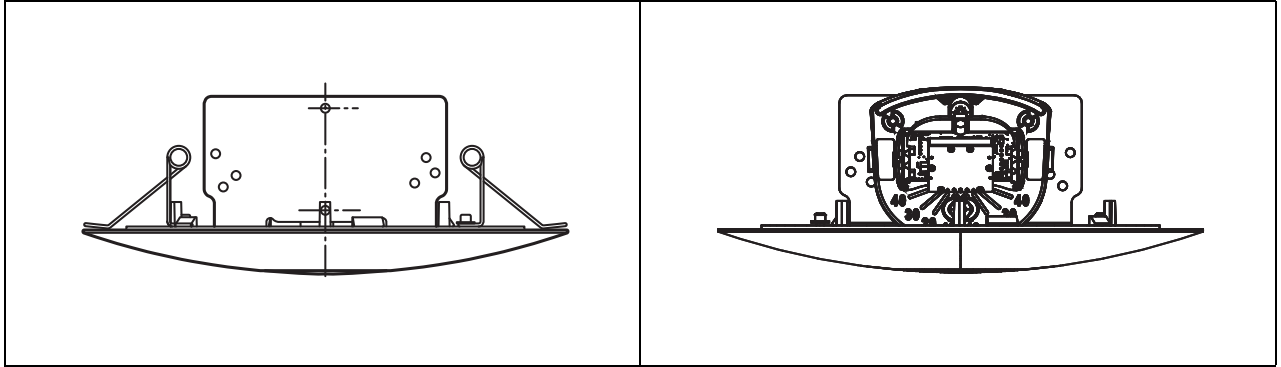
Mechanical specifications

Installation

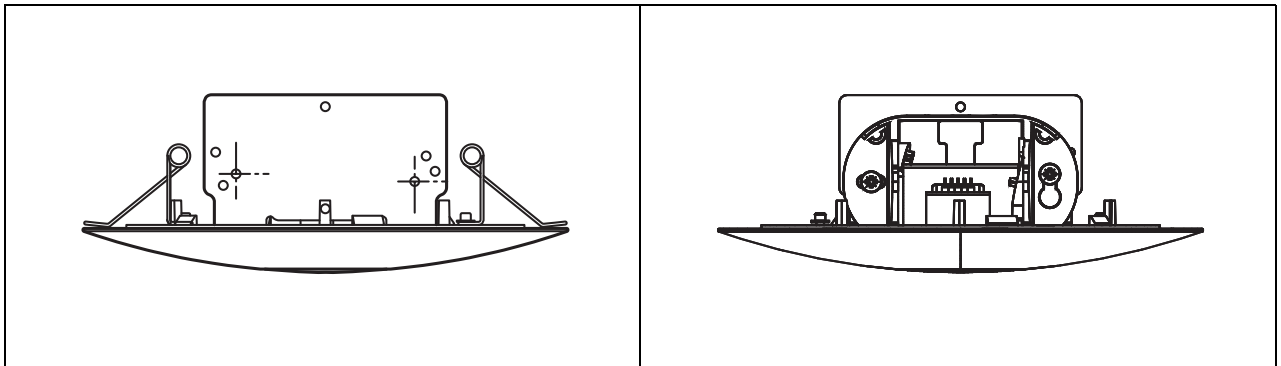
Opening for installation: $\varnothing 131$ mm
Installation depth: min. 60 mm

Installation

ECHO



RaDec



RMS

