

Everything Under Control.

Up to five control functions in one compact unit.

The LRP Series of Modern and Durable Polyamide Control Units



Your automation, our passion.

 **PEPPERL+FUCHS**

Reliable Protection for Switching and Monitoring Functions—the New Polyamide Control Units

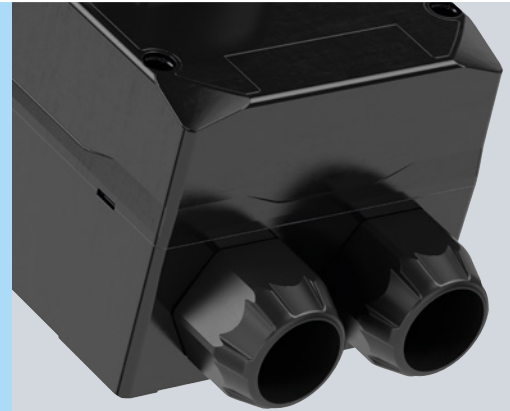
The Ex e control units from the LRP series are another in-house development from Pepperl+Fuchs. With standard and customer-specific designs, the series covers all requirements and offers application flexibility due to its global certifications. The lightweight, modern product design ensures both impact resistance and durability.

Overview of Available Sizes	LRP1*	LRP2*	LRP2L*	LRP3	LRP5L
Dimensions (L × W × D)	90 × 88 × 85.5 mm	132 × 88 × 85.5 mm	156 × 100 × 85.5 mm	178 × 88 × 85.5 mm	260 × 100 × 85.5 mm
Max. number of operating elements	1 small or 1 large	2 small or 1 large	2 small/1 large/ 1 extra large	3 small/2 large	5 small/3 large/ 2 extra large
Max. number of glands	1 × top 1 × bottom M20 or M25	1 × top 1 × bottom M20 or M25	2 × top 2 × bottom M20 or M25	1 × top 1 × bottom M20 or M25	2 × top 2 × bottom M20 or M25



Custom Labeling

Labeling can be tailored to your exact requirements with various size and style options.



Up to Five Operating Functions

Five class-leading operators available in one enclosure for ultimate flexibility.



Two Cable Glands at the Bottom

LRP enclosures allow either one or two entry devices on the same face or entry devices on opposite faces for loop-in and loop-out options.

At a Glance

- Industry-leading function-to-size ratio: Installation of up to five operators enables operation of multiple functions in a small unit
- Fast delivery times: Most popular variants directly from stock
- Custom labeling: Various sizes of label holders even for fully equipped units
- User-specific configurations: Up to two cable entries on the same face for space-saving installations
- Application flexibility: Well developed range of enclosures that can easily accommodate large operators or ammeters
- State-of-the-art: Broad product portfolio with modern, lightweight, and durable design
- Easy access and wiring: Ideally positioned, removable grounding point
- High durability: Concealed gasket ensures reliable degree of protection (IP66)
- No option impossible: Wide range of controls available
- Flexible mounting options: Elongated fixing points



Customer-Specific Control Units—Ready for Shipping in Five Days

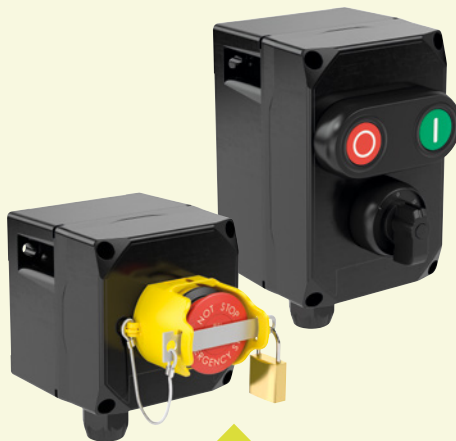
- Fast manufacturing process for configured solutions
- Valid for solutions using Pepperl+Fuchs components
- Highest product quality from the experts in electrical explosion protection

For more information, visit pepperl-fuchs.com/pf-lrp



Grounding Points—Easy Access and Cabling

When using metal cable glands, an optional earth continuity plate can be added.

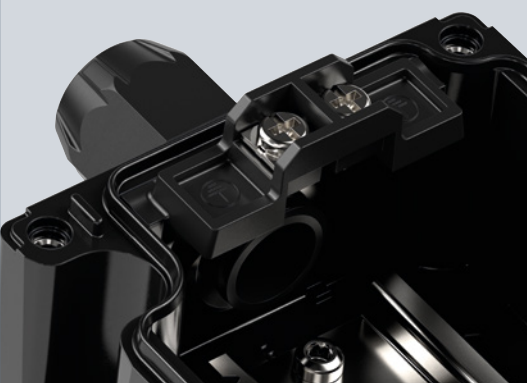
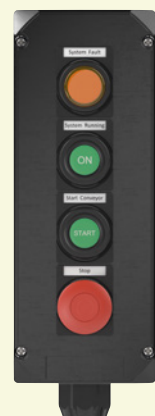


Flexible Series

The flexible series allows custom solutions that cannot be covered by the compact series. For example, this offers more options for larger components such as ammeters, large switches, multiple cable glands, etc.

Compact Series

The compact series provides the option of configuring products exactly to specification or the option of choosing from many preconfigured standard products from stock.



Your automation, our passion.

Explosion Protection

- Intrinsic Safety Barriers
- Signal Conditioners
- FieldConnex® Fieldbus Infrastructure
- Remote I/O Systems
- Electrical Explosion Protection Equipment
- Purge and Pressurization Systems
- HMI Systems
- Mobile Computing and Communications
- HART Interface Solutions
- Surge Protection
- Wireless Solutions
- Level Measurement

Industrial Sensors

- Proximity Sensors
- Photoelectric Sensors
- Industrial Vision
- Ultrasonic Sensors
- Rotary Encoders
- Positioning Systems
- Inclination and Acceleration Sensors
- Vibration Monitoring
- Industrial Ethernet
- AS-Interface
- IO-Link
- Identification Systems
- Displays and Signal Processing
- Connectivity

www.pepperl-fuchs.com

Subject to modifications • © Pepperl+Fuchs
Printed in Germany • Part. No. 70159913 01/23 00 • public



Pepperl+Fuchs Quality

Download our latest policy here:

www.pepperl-fuchs.com/quality