

IUA-F860-FR* Mounting Instructions

Mounting

The antenna is designed to be mounted outdoors. Four holes for M5 screws are provided on the backside of the housing for mounting on a VESA bracket. The screws used should have a screw-in depth of maximum 12 mm (0.45"). For secondary protection the antenna can be secured with an eyebolt, see Fig. 1. Fix the eyebolt with threadlocker. Secure the antenna e.g. with a wire rope.

You can find suitable accessories at Pepperl-Fuchs.com



Warning!

Damage, loss of performance

The minimum bending radius of the antenna cable of 22 mm static and 44 mm dynamic must not be exceeded to avoid damage and reduction of the antenna performance.

In order to maintain the full protection class and to prevent loss of performance of the antenna, the pressure compensation element must not be damaged under any circumstances.

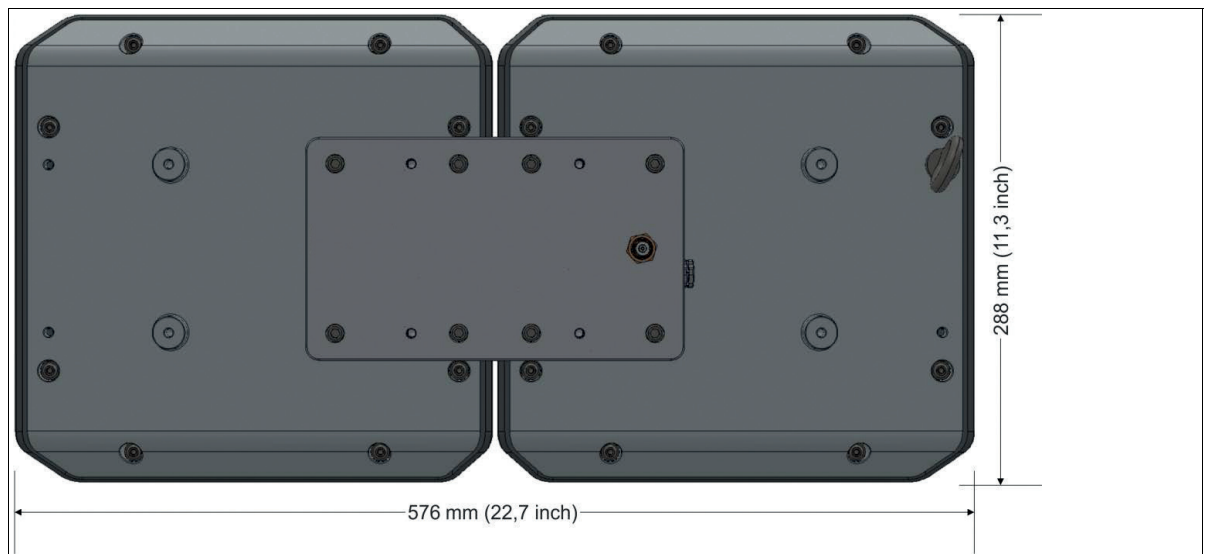


Figure 1 Back view

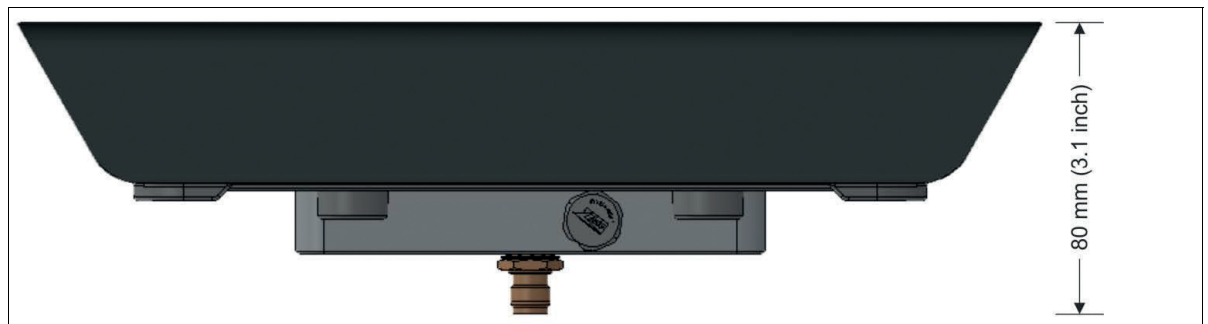


Figure 2 Side view