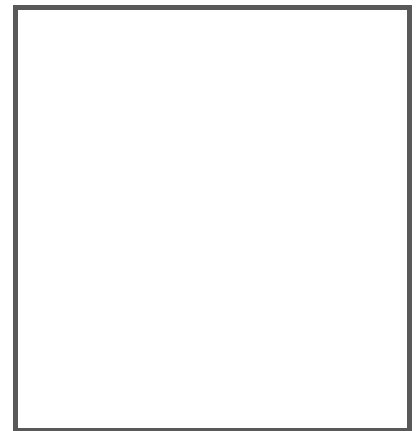


MANUAL

RocketLinx

ICRL2-U-16RJ45-G-DIN



With regard to the supply of products, the current issue of the following document is applicable: The General Terms of Delivery for Products and Services of the Electrical Industry, published by the Central Association of the Electrical Industry (Zentralverband Elektrotechnik und Elektroindustrie (ZVEI) e.V.) in its most recent version as well as the supplementary clause: "Expanded reservation of proprietorship".



Table of Contents

- 1. Introduction 3**
 - 1.1. Product Overview..... 3**
 - 1.2. Packing List 3**

- 2. Installation 4**
 - 2.1. Mounting / Dismounting - DIN Rail 4**
 - 2.1.1. Mounting the ICRL2-U-16RJ45-G-DIN 4
 - 2.1.2. Dismounting the ICRL2-U-16RJ45-G-DIN 5
 - 2.2. Grounding the ICRL2-U-16RJ45-G-DIN..... 5**
 - 2.3. Wiring Requirements 5**
 - 2.3.1. Wiring the Power Input 6
 - 2.3.2. Connecting Devices 7
 - 2.4. LED Indicators 7**

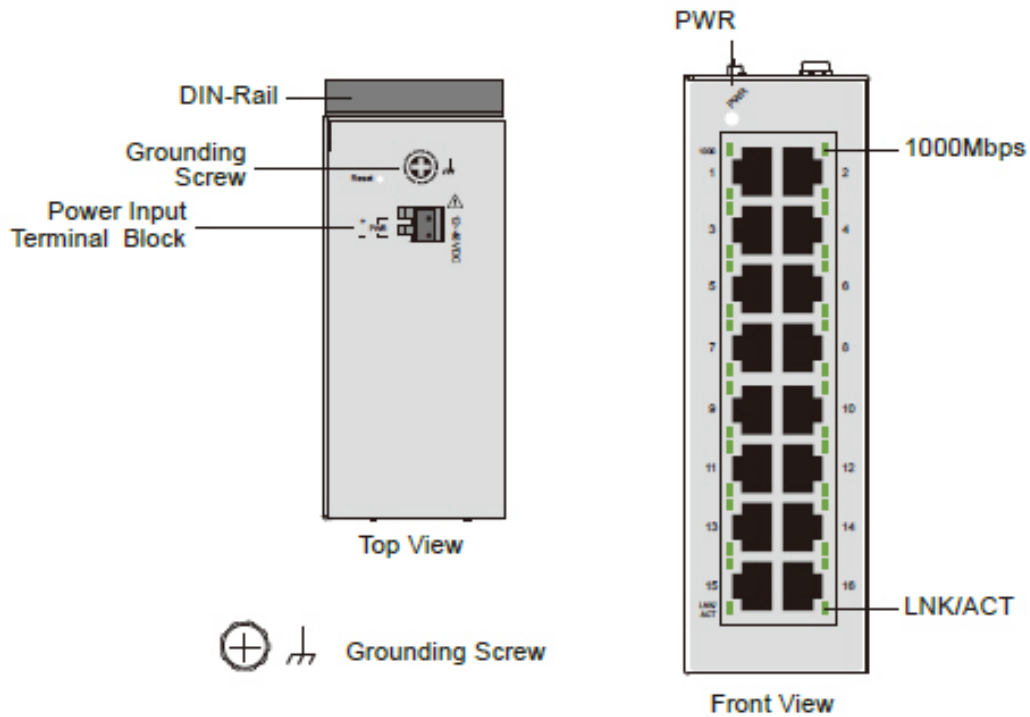


1. Introduction

1.1. Product Overview

The ICRL2-U-16RJ45-G-DIN is an unmanaged Industrial Ethernet switch that is specially designed to expand reliable Ethernet connectivity to factory floors and outdoor environments with extreme temperature and climatic conditions.

The ICRL2-U-16RJ45-G-DIN is equipped with 16 Gigabit RJ45 Ports that are enclosed in an IP30 housing.



1.2. Packing List

The ICRL2-U-16RJ45-G-DIN is shipped with the following items. If any of these are missing or damaged, please contact your customer service representative for assistance.

- ICRL2-U-16RJ45-G-DIN
- DIN rail kit
- Quick Installation Guide



2. Installation

ATTENTION:



Please leave at least 1 cm of space to the left and right of the unit for ventilation if the ambient temperature will be above 70 °C

2.1. Mounting / Dismounting - DIN Rail

ATTENTION:



The ICRL2-U-16RJ45-G-DIN is an open type device and the ICRL2-U-16RJ45-G-DIN should be DIN rail mounted or wall mounted (optional) in a cabinet or enclosure and the ambient temperature should not exceed 75°C.

2.1.1. Mounting the ICRL2-U-16RJ45-G-DIN

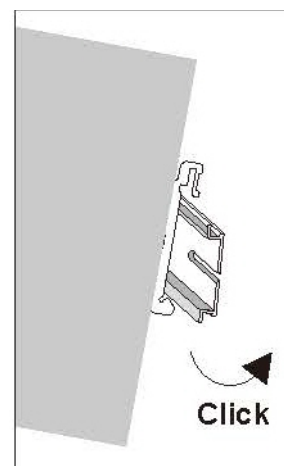
Place the ICRL2-U-16RJ45-G-DIN on the DIN rail from above using the slot, push the front of the switch toward the mounting surface until it snaps into place with a click sound.

ATTENTION:



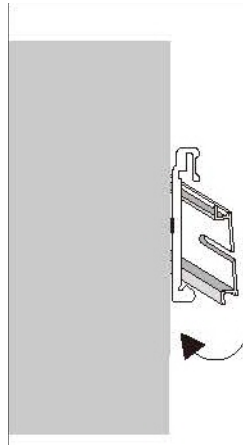
A corrosion-free mounting rail is advisable.

When installing, make sure to allow for enough space between devices to properly install the cabling and provide ample space for air flow.



2.1.2. Dismounting the ICRL2-U-16RJ45-G-DIN

Press the switch from top and pull out the lower edge of the switch and then remove the switch from the DIN rail.



2.2. Grounding the ICRL2-U-16RJ45-G-DIN

Grounding and wire routing help limit the effects of noise due to electromagnetic interference (EMI).

1. Run the ground connection from the ground screw to the grounding surface prior to connecting devices.
2. Connect the ground connection from the terminal block to the grounding surface prior to connecting device.

ATTENTION:



This product is intended to be mounted to a well-grounded mounting surface such as a metal panel.

2.3. Wiring Requirements

WARNING



Safety measures should be taken before connecting the power cable.

Turn off the power before connecting modules or wires. The correct power supply voltage is listed on the product label. Check the voltage of your power source to make sure that you are using the correct voltage. DO NOT use a voltage greater than what is specified on the product label. Calculate the maximum possible current in each power wire and common wire. Observe all electrical codes dictating the maximum current allowable for each wire size. If current exceeds the maximum rating, the wiring can overheat causing serious damage to your equipment.

Please read and follow these guidelines:

- Use separate paths to route wiring for power and devices. If power wiring and device wiring paths must cross make sure the wires are perpendicular at the intersection point.

Note: Do not run signal or communications wiring and power wiring through the same wire conduit. To

avoid interference, wires with different signal characteristics should be routed separately.

- You can use the type of signal transmitted through a wire to determine which wires should be kept separate. The rule of thumb is that wiring that shares similar electrical characteristics can be bundled together.
- You should separate input wiring from output wiring.
- We advise that you label the wiring to all devices in the system.

2.3.1. Wiring the Power Input

Check the polarity while connecting.

The top view of the Terminal Block is shown in the figure.



Caution



- Use copper conductors only
- Wiring cable temperature should support at least 105°C
- Tighten the wire to a torque value 4.5lb with green connector.
- The wire gauge for the terminal block should range between 12~24 AWG with green connector, 12~22AWG with gray connector.

MISE EN GARDE:



- Utilisez uniquement des conducteurs en cuivre.
- La température du câble de câblage doit supporter au moins 105°C.
- Serrer le fil à une valeur de couple de 4.5lb avec le connecteur vert.
- Le calibre de fil du bornier doit être compris entre 12 et 24 AWG avec un connecteur vert, 12 ~ 22 AWG avec un connecteur gris.

To insert power wire and connect the 12~48 V DC at a maximum of 0.15A DC power to the power terminal block, follow the steps below:

1. Use flat-head screw driver to loosen the wire-clamp screws.
2. Insert the negative/positive DC wires into the (- / +) terminals, respectively.
3. Tighten the wire-clamp screws to prevent the wires from loosening.

ATTENTION:



2024-01



Please use a power supply from 12 - 48 V DC, the device power shall be supplied by 61010-2-201 R/C power with SELV, Limited energy output.

2.3.2. Connecting Devices

Connect one end of an Ethernet/RJ45 cable into Ethernet port of ICRL2-U-16RJ45-G-DIN and other end to attached networking device.

- Ports 1-16 of the switch support Gigabit RJ45 ports.
- All the RJ45 ports on the ICRL2-U-16RJ45-G-DIN support auto negotiation and auto MDI/MDI-X to eliminate the need for crossover cabling.

Note: Category 5e cable or above should be used.

2.4. LED Indicators

PWR (Green)	Lit	Power available through terminal block
	Off	Terminal block power failure or power is not available
1000 (Green)	Lit	Link speed at 1000Mbps
	Off	Link speed at 10/100Mbps or no link
LNK/ACT (Green)	Lit	Ethernet link up
	Blinking	Activity: data is transmitting/receiving
	Off	No link, port disconnected, or link failed

FACTORY AUTOMATION – SENSING YOUR NEEDS



Worldwide Headquarters

Pepperl+Fuchs Group
68307 Mannheim · Germany
Tel. +49 621 776-0
E-mail: info@de.pepperl-fuchs.com

USA Headquarters

Pepperl+Fuchs Inc.
Twinsburg, Ohio 44087 · USA
Tel. +1 330 4253555
E-mail: sales@us.pepperl-fuchs.com

Asia Pacific Headquarters

Pepperl+Fuchs Pte Ltd.
Company Registration No. 199003130E
Singapore 139942
Tel. +65 67799091
E-mail: sales@sg.pepperl-fuchs.com

www.pepperl-fuchs.com

 **PEPPERL+FUCHS**
SENSING YOUR NEEDS

DOCT-8647A

Subject to modifications
Copyright PEPPERL+FUCHS • Printed in Germany

2024-01