

Mounting Eyebolts

Intended Use

The eyebolts are used to transport (crane transport) enclosures with a total weight of max. 3000/ 5000 N. Only use the eyebolts in pairs (2/4 pieces). Only use the eyebolts with approved lifting gear. Use all available eyebolt holes with the designated eyebolts (2/4) for lifting as shown in the pictures in section 'Mounting and Installation'. The eyebolts must be removed again after the enclosure has been placed and all eyebolt holes must be closed using the stopping plugs provided.

Mounting and Installation

General safety information



Warning!

Observe all relevant accident prevention regulations. Do not stand under suspended loads, cordon off the hazardous area.

Wear personal protective equipment.

Ensure that the enclosure is mounted on a flat surface.

Do not use the products to transport people or animals.

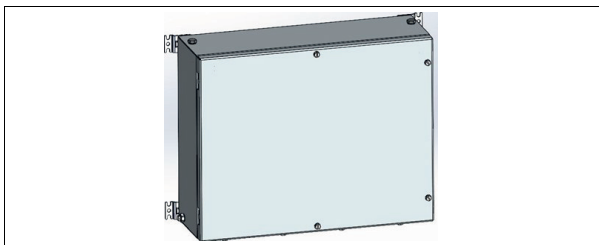
Ensure that only authorized and instructed personnel use the device in accordance with DGVV Rule 100-500 and DIN EN 818-4 or, outside of Germany, the relevant country-specific regulations.

Ensure that the eyebolts do not come into contact with aggressive chemicals, acids or fumes.



Mount the eyebolts by doing the following:

- (1) Open the enclosure cover.

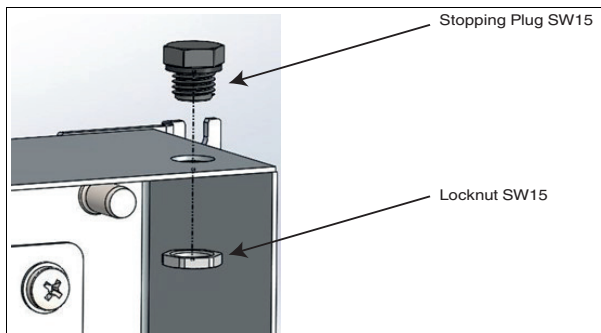


- (2) Loosen the locknuts and remove the stopping plugs from the top of the enclosure.



Note

You can pull the stopping plugs up out of the enclosure.

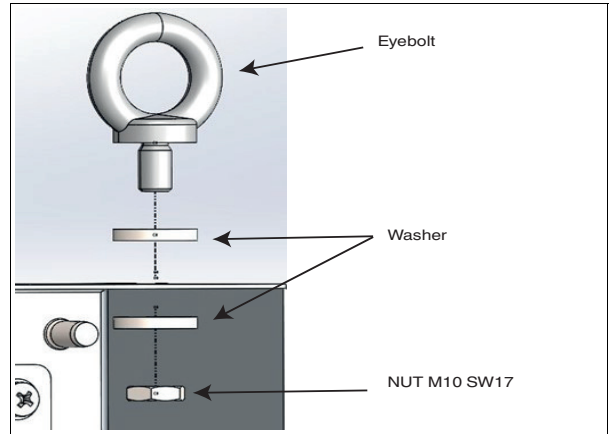


- (3) Mount the eyebolts as shown in the picture.



Warning!

Check that the transport kit is complete and in flawless condition before use.



- (4) Tighten the locknuts to 20 Nm.



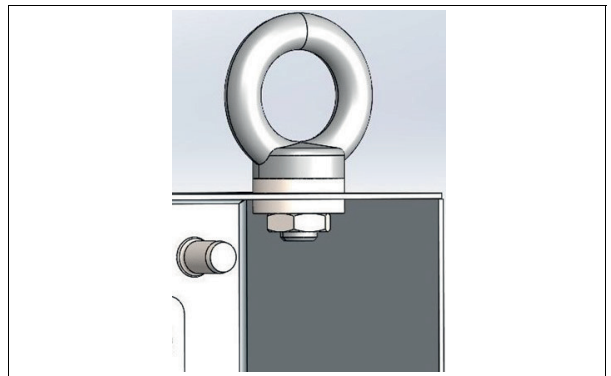
Note

Pay attention to the alignment of the eyebolts during assembly.



Warning!

Check the tightening torque of the locknuts before lifting.



- (5) The following total loads are allowed with a symmetrical load:
 $F = 2000 \text{ N}$, Max 45° , see DIN EN 818-4.

Warning!

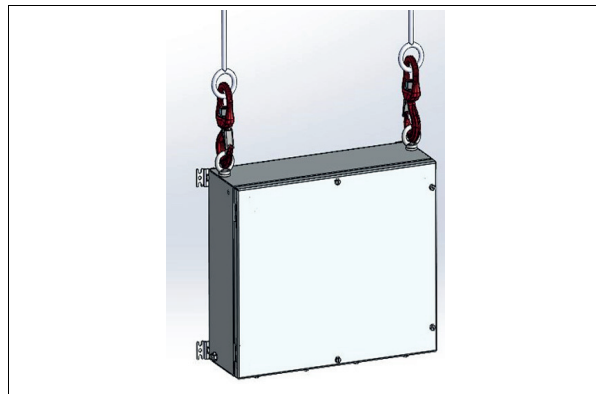
- Do not lift/move the enclosure with open doors.
- Ensure that suspended loads are supervised.
- Ensure that you and other people are not within the movement range of the load (hazardous area).
- Ensure that the eyebolts do not rotate under load.
- Swinging of the enclosure is possible.
- Ensure that the cover is closed properly before lifting.
- Ensure that all cover screws are properly tightened before lifting.
- Ensure that all locks have been properly brought into the closed position before lifting.
- Ensure that all enclosure installations are securely fastened.



- (6) The following maximum allowable load per eyebolt with a symmetrical load suspended vertically applies:
 $F = 1400 \text{ N}$, total load: $F = 2800 \text{ N}$.

Warning!

- Do not lift/move the enclosure with open doors.
- Ensure that suspended loads are supervised.
- Ensure that you and other people are not within the movement range of the load (hazardous area).
- Ensure that the eyebolts do not rotate under load.
- Swinging of the enclosure is possible.
- Ensure that the cover is closed properly before lifting.
- Ensure that all cover screws are properly tightened before lifting.
- Ensure that all locks have been properly brought into the closed position before lifting.
- Ensure that all enclosure installations are securely fastened.



- (7) The following total loads are allowed with a symmetrical load:
 $F = 4000 \text{ N}$, Max 45° , see DIN EN 818-4.

Warning!

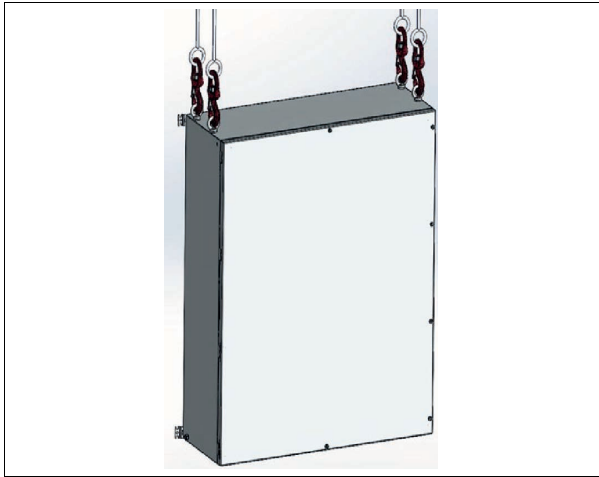
- Do not lift/move the enclosure with open doors.
- Ensure that suspended loads are supervised.
- Ensure that you and other people are not within the movement range of the load (hazardous area).
- Ensure that the eyebolts do not rotate under load.
- Swinging of the enclosure is possible.
- Ensure that the cover is closed properly before lifting.
- Ensure that all cover screws are properly tightened before lifting.
- Ensure that all locks have been properly brought into the closed position before lifting.
- Ensure that all enclosure installations are securely fastened.



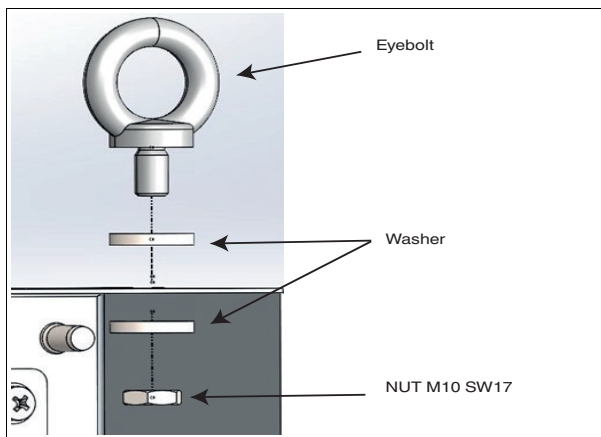
- (8) The following maximum allowable load per eyebolt with a symmetrical load suspended vertically applies:
 $F = 1400 \text{ N}$, total load: $F = 5600 \text{ N}$.

Warning!

- Do not lift/move the enclosure with open doors.
- Ensure that suspended loads are supervised.
- Ensure that you and other people are not within the movement range of the load (hazardous area).
- Ensure that the eyebolts do not rotate under load.
- Swinging of the enclosure is possible.
- Ensure that the cover is closed properly before lifting.
- Ensure that all cover screws are properly tightened before lifting.
- Ensure that all locks have been properly brought into the closed position before lifting.
- Ensure that all enclosure installations are securely fastened.



- (9) Remove the eyebolts after mounting the enclosure.



- (10) Close the holes for the eyebolts with the stopping plugs. SW 15/Tightening torque 4 Nm.

Note

- Check the holes for damage before mounting the stopping plugs.
- Ensure that the contact surface for the stopping plug gasket is flat and clean.

