



CONTROL YOUR SAFETY SETUP AS EASY AS 1-2-3



SETUP AS EASY AS 1-2-3

Safety relays have been used to safeguard machines and protect workers. The drawbacks of this approach are wiring complexity, the complete lack of useful diagnostics, nearly nonexistent flexibility, and ultimately, a high total cost of ownership. All these issues have been successfully addressed by networked safety solutions like AS-Interface Safety at Work. But for all their advantages, networking safety is not economical for the smallest systems, machines that need only a few safe inputs.

This is where the new Pepperl+Fuchs safety controller comes in, offering much of the power and flexibility of networked safety at a price point that makes it practical for even the smallest installations. And it is easy to use.

In fact, setup is as easy as 1-2-3 thanks to the intelligent hardware design and drag & drop configuration with SIMON+, a visual, Windows-based PC configuration tool.



Removable, color-coded terminals simplify installation and maintenance

Durable plastic housing

Write-in area for labeling device

Bright LEDs reflect the state of the on-board safe inputs and outputs

Micro USB connection to any WINDOWS PC allows drag & drop programming and visual diagnostics

Safety configurations are automatically backed up on a memory card, allowing easy transfer from one controller to another

Compact, 22.5 mm wide housing takes up minimal space in the control cabinet

Additional I/O can be connected to the expansion port, making this safety controller ideal for small and medium-sized safety guarding applications

Universal DIN-rail mount

Install

1

Step One

- Mount the safety controller using its universal DIN-rail mount
- Connect e-stops, light curtains, door switches
- Connect the safe outputs to motor control relays
- Connect the USB cable to the PC and apply 24 VDC to the controller

Removable, color-coded terminals simplify installation and maintenance.

Program

2

Step Two

- Using the SIMON+ drag & drop interface, the safety logic is defined by picking graphical function blocks from the device library
- Download the configuration: it is automatically backed up to the memory card
- Many ready-to-run and fully documented examples can be found at www.sensing.net/safety

After dropping a function block onto the configuration page, the details window opens up; additional information and parameters are set here.

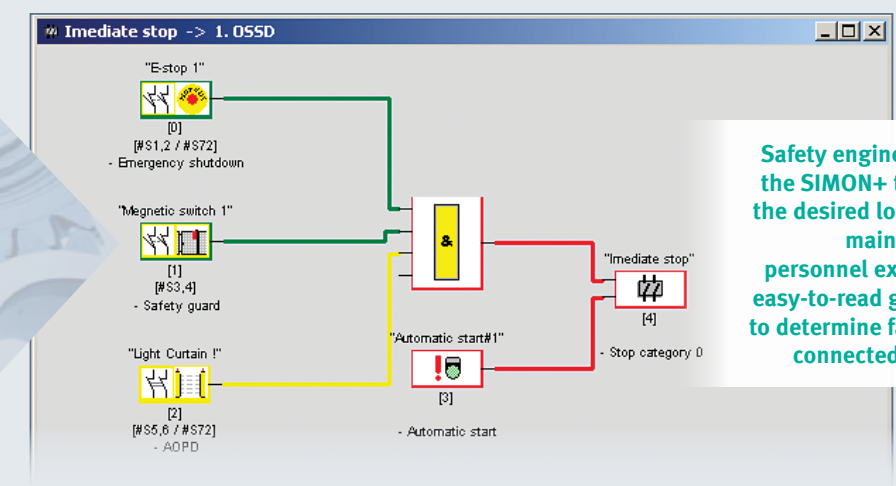
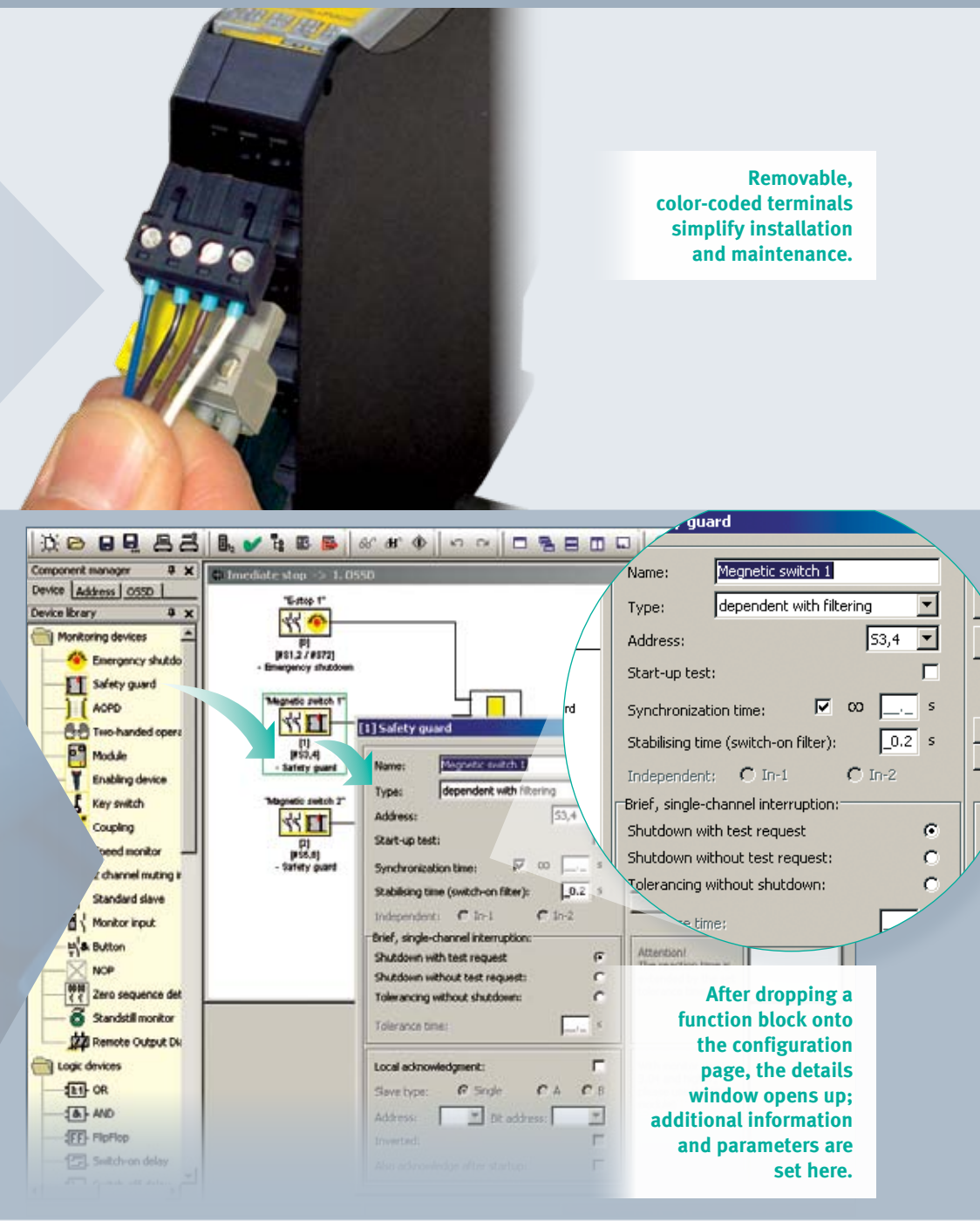
Run

3

Step Three

- SIMON+ offers exceptionally clear and intuitive diagnostics using the same graphical symbols used during the configuration: colors indicate operational states
- System maintenance is simple due to the memory card and removable terminals. Simply replace the safety controller, move the memory card, and apply power

Safety engineers use the SIMON+ to verify the desired logic, and maintenance personnel exploit its easy-to-read graphics to determine faults on connected inputs.



EXPANSION AS EASY AS 1-2-3

Pepperl+Fuchs' new safety controller truly addresses the shortcomings of conventional safety relays, adding exceptional flexibility and diagnostics without driving up cost. While it is ideal for even the smallest safety installations, its expansion port gives this safety controller the ability to grow as the demands on it increase.



Safety input modules for CAT4/SIL3/PLC applications. In addition to the safe inputs, the modules also offer conventional outputs to indicate system status, control stacklights, activate solenoid door interlocks, and more.

The safety rotational speed monitor with sine/cosine inputs can also be used for added control.

In many cases, intelligent safety devices are the most convenient expansion option. These are connected directly to the expansion port.

Adding safe output capabilities is just as easy with these CAT4/SIL3/PLC output expansion modules. The KE4 safety controller can manage up to eight independent safe outputs.

For step-by-step videos on how to use the safety controller from Pepperl+Fuchs and to download example configuration files, visit us at www.sensing.net/safety.

Contact

Pepperl+Fuchs Inc.
1600 Enterprise Parkway
Twinsburg, Ohio 44087 · USA
Tel. +1 330 486-0001 · Fax +1 330 405-4710
E-mail: fa-info@pepperl-fuchs.com

Worldwide Headquarters

Pepperl+Fuchs GmbH · Mannheim · Germany
E-mail: fa-info@pepperl-fuchs.com

USA Headquarters

Pepperl+Fuchs Inc. · Twinsburg, OH · USA
E-mail: fa-info@us.pepperl-fuchs.com

Asia Pacific Headquarters

Pepperl+Fuchs Pte Ltd · Singapore
Company Registration No. 199003130E
E-mail: fa-info@sg.pepperl-fuchs.com

www.pepperl-fuchs.us

 **PEPPERL+FUCHS**
SENSING YOUR NEEDS