

Switch Amplifier

KFD2-SH-Ex1.T.OP

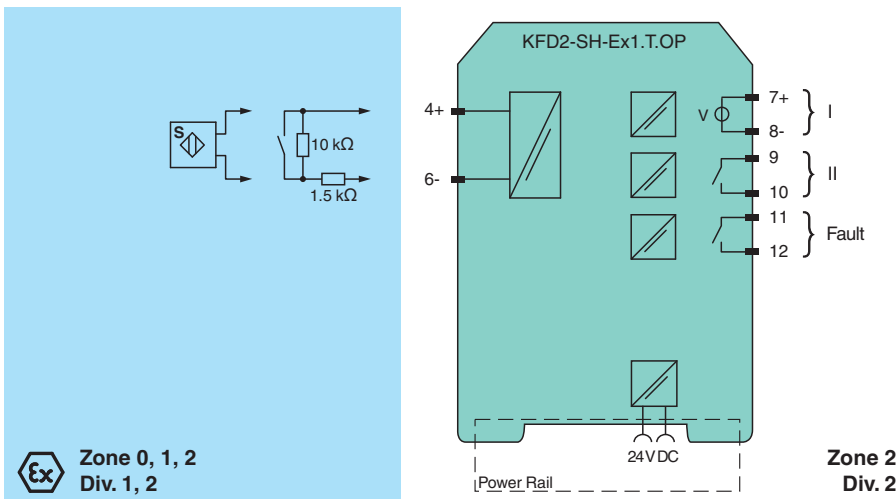
- 1-channel isolated barrier
- 24 V DC supply (Power Rail)
- Input for approved dry contacts or SN/S1N sensors
- Active voltage output
- Relay contact output
- Fault indication output
- Line fault detection (LFD)
- Up to SIL 3 acc. to IEC/EN 61508
- Up to PL d acc. to EN/ISO 13849

CE **Ex** **SIL3 PL d**

Function

This isolated barrier is used for intrinsic safety applications. The device transfers digital signals (SN/S1N proximity sensors or approved dry contacts) from a hazardous area to a safe area. The input controls one active voltage output and one relay contact output with a NO contact. Unlike an SN/S1N series proximity sensor, a mechanical contact requires a 10 kΩ resistor to be placed across the contact in addition to a 1.5 kΩ resistor in series. Lead breakage (LB) and short circuit (SC) conditions of the control circuit are continuously monitored. During a fault condition, the fault indication output and the outputs I and II de-energize. For safety applications up to SIL3, output I must be used. For safety applications up to SIL2, output I and output II can be used.

Connection



Technical Data

General specifications	
Signal type	Digital Input
Functional safety related parameters	
Safety Integrity Level (SIL)	SIL 3
Performance level (PL)	PL d
Supply	
Connection	Power Rail
Rated voltage	U _r 20 ... 30 V DC
Ripple	≤ 10 %

Release date: 2022-02-15 Date of issue: 2022-02-15 Filename: 035845_eng.pdf

Refer to "General Notes Relating to Pepperl+Fuchs Product Information".

Pepperl+Fuchs Group
www.pepperl-fuchs.com

USA: +1 330 486 0002
pa-info@us.pepperl-fuchs.com

Germany: +49 621 776 2222
pa-info@de.pepperl-fuchs.com

Singapore: +65 6779 9091
pa-info@sg.pepperl-fuchs.com

PF PEPPERL+FUCHS

Technical Data

Rated current	I_r	≤ 100 mA
Power dissipation		1.5 W
Power consumption		max. 1.7 W
Input		
Connection side		field side
Connection		terminals 4+, 6-
Open circuit voltage/short-circuit current		approx. 8.4 V DC / approx. 11.7 mA
Lead resistance		max. 50 Ω , cable capacitances and inductances must be observed in hazardous areas
Switching point		
Relay de-energized		$I < 2.1$ mA and $I > 5.9$ mA , output switched off
Relay energized		2.8 mA $< I < 5.3$ mA , output switched on
Response delay		≤ 1 ms
Output		
Connection side		control side
Connection		output I: terminals 7+, 8- ; output II: terminals 9, 10 ; output III: terminals 11, 12
Output I		active voltage output, short-circuit proof 0-signal: 0 V 1-signal: 20 ... 31 V DC at max. 15 mA fault: 0 V
Output II		relay
Contact loading		48 V AC/DC 250 mA
Mechanical life		$\leq 20 \times 10^6$ switching cycles
Output III		relay , fault signal
Contact loading		48 V AC/DC 250 mA
Mechanical life		$\leq 20 \times 10^6$ switching cycles
Transfer characteristics		
Switching frequency		
Output I		≤ 50 Hz
Output II		≤ 5 Hz
Output III		≤ 5 Hz
Indicators/settings		
Display elements		LEDs
Labeling		space for labeling at the front
Directive conformity		
Electromagnetic compatibility		
Directive 2014/30/EU		EN 61326-1:2013 (industrial locations)
Machinery Directive		
Directive 2006/42/EC		EN/ISO 13849-1:2015
Conformity		
Electromagnetic compatibility		NE 21:2011
Degree of protection		IEC 60529:2001
Safety		IEC/EN 61508:2010
Ambient conditions		
Ambient temperature		-20 ... 60 °C (-4 ... 140 °F)
Mechanical specifications		
Degree of protection		IP20
Connection		screw terminals
Mass		approx. 150 g
Dimensions		20 x 107 x 115 mm (0.8 x 4.2 x 4.5 inch) (W x H x D) , housing type B1
Mounting		on 35 mm DIN mounting rail acc. to EN 60715:2001
Data for application in connection with hazardous areas		
EU-type examination certificate		PTB 00 ATEX 2041

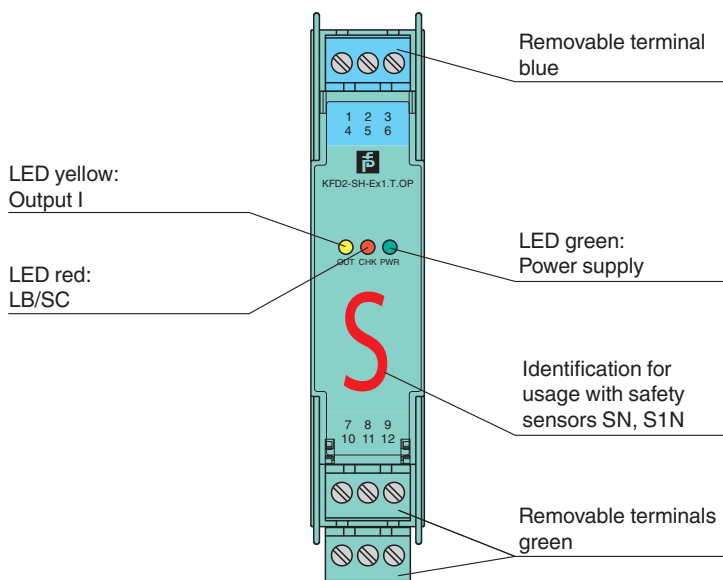
Release date: 2022-02-15 Date of issue: 2022-02-15 Filename: 035845_eng.pdf

Technical Data

Marking		⊕ II (1)GD [Ex ia] IIC [circuit(s) in zone 0/1/2]
Input		EEx ia IIC
Voltage	U _o	9.56 V
Current	I _o	16.8 mA
Power	P _o	41 mW (linear characteristic)
Supply		
Maximum safe voltage	U _m	40 V AC/DC (Attention! The rated voltage can be lower.)
Output		
Contact loading		48 V AC/DC 250 mA
Maximum safe voltage	U _m	60 V AC/DC (Attention! The rated voltage can be lower.)
Certificate		TÜV 99 ATEX 1493 X
Marking		⊕ II 3G Ex nA nC IIC T4
Galvanic isolation		
Input/Output		safe electrical isolation acc. to IEC/EN 60079-11, voltage peak value 375 V
Input/power supply		safe electrical isolation acc. to IEC/EN 60079-11, voltage peak value 375 V
Directive conformity		
Directive 2014/34/EU		EN 60079-0:2012+A11:2013 , EN 60079-11:2012 , EN 60079-15:2010
International approvals		
FM approval		
Control drawing		116-0158
IECEX approval		
IECEX certificate		IECEX TUN 19.0013X
IECEX marking		Ex ec nC IIC T4 Gc
General information		
Supplementary information		Observe the certificates, declarations of conformity, instruction manuals, and manuals where applicable. For information see www.pepperl-fuchs.com .

Assembly

Front view






Release date: 2022-02-15 Date of issue: 2022-02-15 Filename: 035845_eng.pdf

Matching System Components

	KFD2-EB2	Power Feed Module
	UPR-03	Universal Power Rail with end caps and cover, 3 conductors, length: 2 m
	UPR-03-M	Universal Power Rail with end caps and cover, 3 conductors, length: 1,6 m
	UPR-03-S	Universal Power Rail with end caps and cover, 3 conductors, length: 0.8 m
	K-DUCT-BU	Profile rail, wiring comb field side, blue
	K-DUCT-BU-UPR-03	Profile rail with UPR-03- * insert, 3 conductors, wiring comb field side, blue

Accessories

	KF-ST-5GN	Terminal block for KF modules, 3-pin screw terminal, green
	KF-ST-5BU	Terminal block for KF modules, 3-pin screw terminal, blue
	KF-CP	Red coding pins, packaging unit: 20 x 6