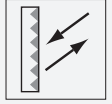




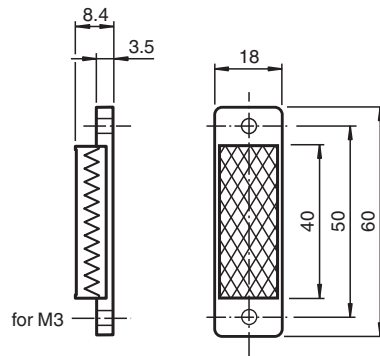
## Reflector REF-H160

- Mounting holes for simple installation



Reflector, rectangular 60 mm x 18 mm, mounting holes

### Dimensions



### Technical Data

#### General specifications

Construction type rectangular

#### Ambient conditions

Ambient temperature -30 ... 60 °C (-22 ... 140 °F)

#### Mechanical specifications

Material PMMA/ABS

Dimensions 60 mm x 18 mm x 8.4 mm

Mounting mounting holes