

Male connector, field-attachable

V1S-G-PG9

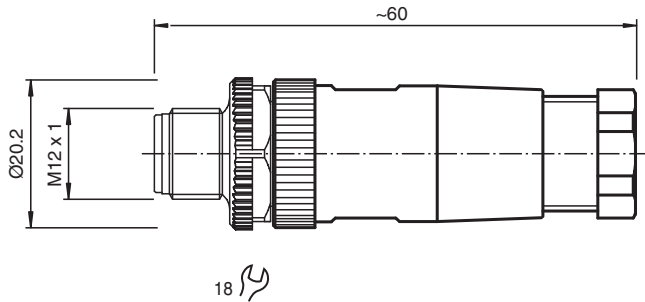


- Screw terminal connection
- Metal locking
- Knurled nut suitable for tool assembly
- cURus approval

Male connector M12 straight A-coded 4-pin, for cable diameter 6 - 8 mm, field-attachable



Dimensions



Technical Data

General specifications			
Connector 1			
Connection		plug	
Construction type		M12	
Style		straight	
Locking		screw connection	
Number of pins		4	
Coding		A-coded	
Electrical specifications			
Operating voltage	U _B	max. 250 V AC/DC	
Operating current	I _B	max. 4 A	
Insulation resistance		min. 100 MΩ	
Conformity			
Degree of protection		EN 60529	
Plug connection		connector M12 x 1 : IEC 61076-2-101	
Approvals and certificates			
UL File Number		E363587	

Release date: 2025-01-30 Date of issue: 2025-01-30 Filename: 129387_eng.pdf

Refer to "General Notes Relating to Pepperl+Fuchs Product Information".

Pepperl+Fuchs Group
www.pepperl-fuchs.com

USA: +1 330 486 0001
fa-info@us.pepperl-fuchs.com

Germany: +49 621 776 1111
fa-info@de.pepperl-fuchs.com

Singapore: +65 6779 9091
fa-info@sg.pepperl-fuchs.com

PEPPERL+FUCHS

Technical Data

Ambient conditions

Ambient temperature	-40 ... 85 °C (-40 ... 185 °F)
Pollution degree	3

Mechanical specifications

Plug connector	
Tightening torque	0.6 Nm
Tool installation	straight knurling , hexagon nut SW = 18 mm
Mating cycles	min. 50
Degree of protection	IP67
Connection	screw terminals for max. 0.75 mm ² / AWG 18
Cable	
Sheath diameter	6 ... 8 mm
Core cross section	0.75 mm ² / 18 AWG max.
Mass	21.77 g

Material

Plug connector	
Screw connection	CuZn, nickel-plated
Body	PA, black
Contact surface	CuSnZn

Connection Assignment

