

Female connector, field-attachable

V1-G-Q3

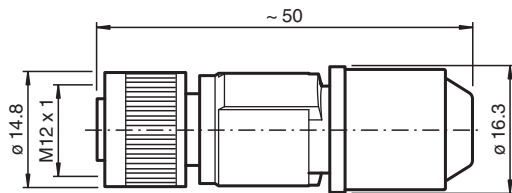


- Insulation displacement connection
- Plastic locking
- Knurled nut suitable for tool assembly
- cURus approval

Female connector M12 straight A-coded 4-pin, for cable diameter 3.5 - 6 mm, field-attachable, insulation displacement connection



Dimensions



Technical Data

General specifications		
Connector 1		
Connection		socket
Construction type		M12
Style		straight
Locking		screw connection
Number of pins		4
Coding		A-coded
Electrical specifications		
Operating voltage	U_B	max. 125 V AC/DC
Operating current	I_B	max. 4 A
Volume resistance		< 5 m Ω
Insulation resistance		min. 100 M Ω
Conformity		
Degree of protection		EN 60529
Plug connection		connector M12 x 1 : IEC 61076-2-101
Approvals and certificates		
UL File Number		E191152
Ambient conditions		
Ambient temperature		-25 ... 80 °C (-13 ... 176 °F)
Pollution degree		3
Mechanical specifications		
Plug connector		
Tightening torque		0.4 Nm

Release date: 2025-01-30 Date of issue: 2025-01-30 Filename: 134142_eng.pdf

Refer to "General Notes Relating to Pepperl+Fuchs Product Information".

Pepperl+Fuchs Group
www.pepperl-fuchs.com

USA: +1 330 486 0001
fa-info@us.pepperl-fuchs.com

Germany: +49 621 776 1111
fa-info@de.pepperl-fuchs.com

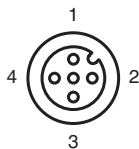
Singapore: +65 6779 9091
fa-info@sg.pepperl-fuchs.com

PF PEPPERL+FUCHS

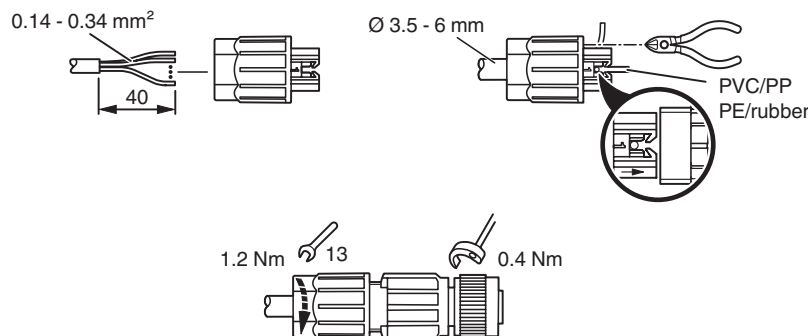
Technical Data

Tool installation	straight knurling
Mating cycles	min. 100
Degree of protection	IP65 / IP67
Connection	Insulation displacement connection for 0.14 ... 0.34 mm ² / AWG 26 ... AWG 22
Cable	
Sheath diameter	3.5 ... 6 mm
Cores	Ø 0.7 ... 1.6 mm incl. insulation Cross-section: 0.14 ... 0.34 mm ² Cable construction: Class 2-6 in accordance with VDE 0295
Core cross section	0.34 mm ² / 22 AWG max.
Mass	11.4 g
Mounting	max. tightening torque on the coupling nut: ≤ 1.2 Nm
Note	max. 10 connections possible to a cable of the same cross-section. After repeated cable connection it may be necessary to renew the seal and cap.
Material	
Plug connector	
Screw connection	Plastic
Body	PA 66, black
Seal	NBR
Contact surface	Ni/Au
Flammability	V-0
Cable	
Core insulation	PVC/PE/PP

Connection Assignment



Connection



Release date: 2025-01-30 Date of issue: 2025-01-30 Filename: 134142_eng.pdf

Refer to "General Notes Relating to Pepperl+Fuchs Product Information".

Pepperl+Fuchs Group
www.pepperl-fuchs.com

USA: +1 330 486 0001
fa-info@us.pepperl-fuchs.com

Germany: +49 621 776 1111
fa-info@de.pepperl-fuchs.com

Singapore: +65 6779 9091
fa-info@sg.pepperl-fuchs.com

PF PEPPERL+FUCHS