

Female connector, field-attachable

V1-G-Q3

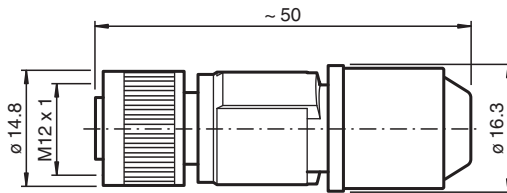


- Insulation displacement connection
- Plastic locking
- Knurled nut suitable for tool assembly
- cURus approval

Female connector M12 straight A-coded 4-pin, for cable diameter 3.5 - 6 mm, field-attachable, insulation displacement connection



Dimensions



Technical Data

General specifications

Connector 1	
Connection	socket
Construction type	M12
Style	straight
Locking	screw connection
Number of pins	4
Coding	A-coded

Electrical specifications

Operating voltage	U_B	max. 125 V AC/DC
Operating current	I_B	max. 4 A
Volume resistance		< 5 m Ω
Insulation resistance		min. 100 M Ω

Conformity

Degree of protection		EN 60529
Plug connection		connector M12 x 1 : IEC 61076-2-101

Release date: 2023-06-01 Date of issue: 2023-06-01 Filename: 134142_eng.pdf

Refer to "General Notes Relating to Pepperl+Fuchs Product Information".

Pepperl+Fuchs Group
www.pepperl-fuchs.com

USA: +1 330 486 0001
fa-info@us.pepperl-fuchs.com

Germany: +49 621 776 1111
fa-info@de.pepperl-fuchs.com

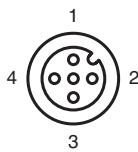
Singapore: +65 6779 9091
fa-info@sg.pepperl-fuchs.com

PF PEPPERL+FUCHS

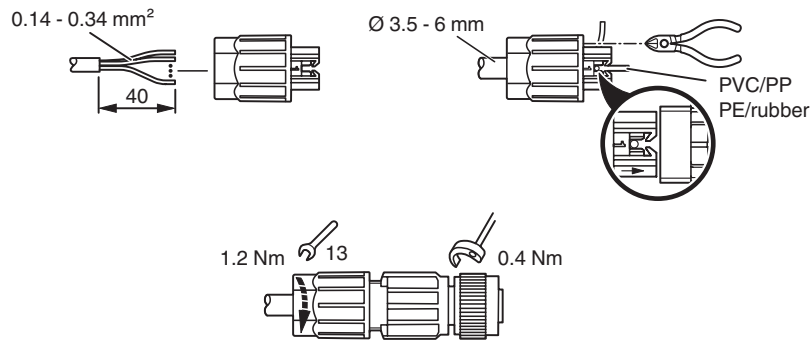
Technical Data

Approvals and certificates		
UL approval		E191152
Ambient conditions		
Ambient temperature		-25 ... 80 °C (-13 ... 176 °F)
Pollution degree		3
Mechanical specifications		
Plug connector		
Tightening torque		0.4 Nm
Tool installation		straight knurling
Mating cycles		min. 100
Degree of protection		IP65/IP67
Connection		Insulation displacement connection for 0.14 ... 0.34 mm ² / AWG 26 ... AWG 22
Cable		
Sheath diameter		3.5 ... 6 mm
Cores		Ø 0.7 ... 1.6 mm incl. insulation Cross-section: 0.14 ... 0.34 mm ² Cable construction: Class 2-6 in accordance with VDE 0295
Mass		11.4 g
Mounting		max. tightening torque on the coupling nut: ≤ 1.2 Nm
Note		max. 10 connections possible to a cable of the same cross-section. After repeated cable connection it may be necessary to renew the seal and cap.
Material		
Plug connector		
Screw connection		Plastic
Body		PA 66, black
Seal		NBR
Contact surface		Ni/Au
Flammability		V-0
Cable		
Core insulation		PVC/PE/PP

Connection Assignment



Connection



Release date: 2023-06-01 Date of issue: 2023-06-01 Filename: 134142_eng.pdf