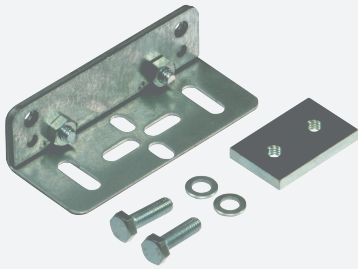


WCS mounting bracket system

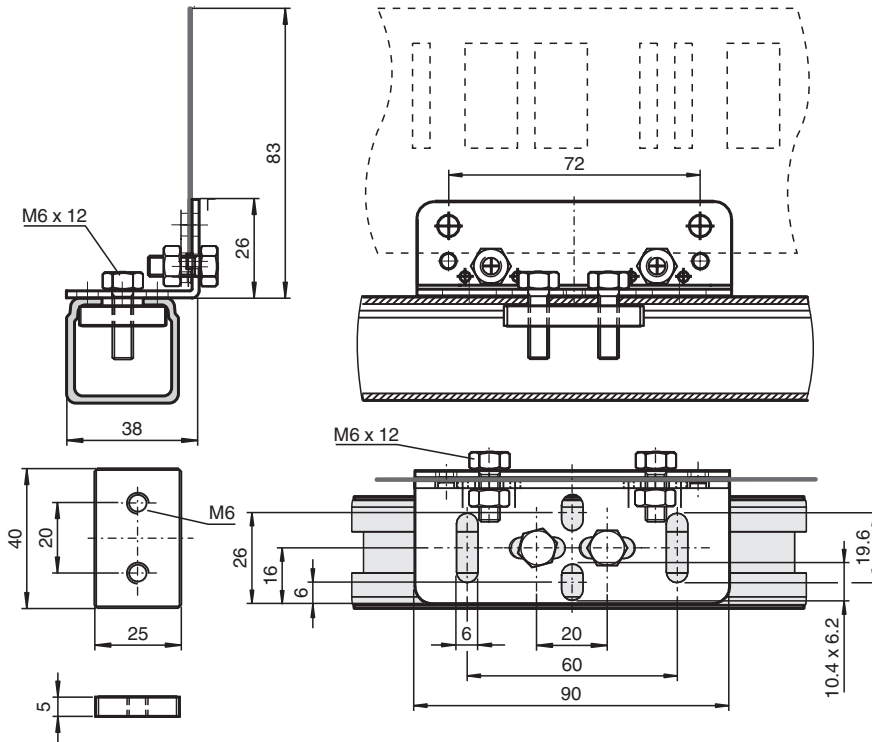
WCS-MB2



- Mounting bracket for code rail, straight
- Installation in C profile rail 30 mm x 32 mm

Mounting bracket for C profile, straight section

Dimensions



Technical Data

Ambient conditions	
Ambient temperature	-40 ... 100 °C (-40 ... 212 °F)
Mechanical specifications	
Material thickness	2 mm
Material	Metal sheet (steel), zinc-plated
Mass	125 g (without fastening screws)

Release date: 2024-04-19 Date of issue: 2024-04-19 Filename: 184101_eng.pdf

Refer to "General Notes Relating to Pepperl+Fuchs Product Information".

Pepperl+Fuchs Group
www.pepperl-fuchs.com

USA: +1 330 486 0001
fa-info@us.pepperl-fuchs.com

Germany: +49 621 776 1111
fa-info@de.pepperl-fuchs.com

Singapore: +65 6779 9091
fa-info@sg.pepperl-fuchs.com

PF PEPPERL+FUCHS