



## Power supply K24-STR-24..30VDC-10A

- 8 ... 10 A output load
- 230/115 V AC supply voltage
- Sustained short-circuit proof, overload-proof and open-circuit proof
- 24 ... 30 V DC output voltage, can be regulated
- LED operating display
- LED output overload indicator
- SELV
- Suitable for AS-Interface power supply in gateway-integrated data decoupling

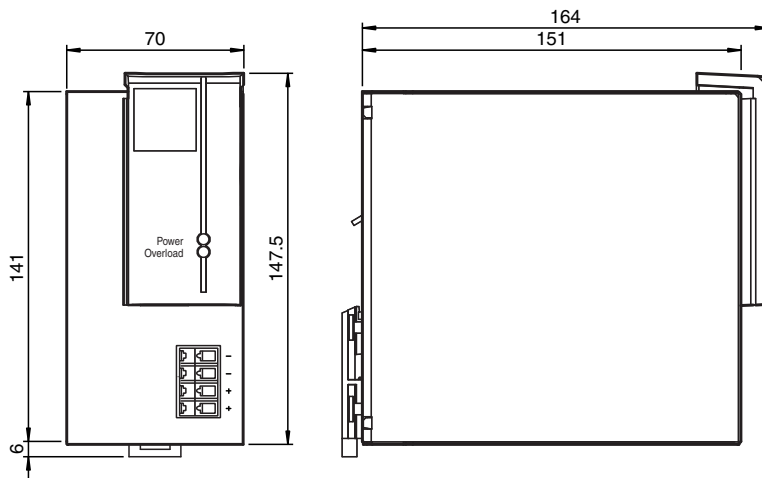
Power supply, 24 to 30 V DC, 10 A



### Function

The slim-line power pack provides a direct voltage in an even larger adjustable output voltage range of 23 ... 30 V DC, while optimizing the space available in the control cabinet.  
The current limit can be adjusted via an internal potentiometer. In addition to an LED showing the operational status (power), a red LED (overload) signals overloads on the output side.  
The connecting leads on the input side are safely covered with the plastic cover after installation. The device features a convenient DIN rail fastening.

### Dimensions



### Technical Data

General specifications	
UL File Number	E223176
Indicators/operating means	
LED Overload	Red LED lights up for overload, flashes for hiccup mode
LED PWR	LED green
Potentiometer	Top: Output current limitation (covered by a dummy plug) Bottom: Output voltage adjustment
Electrical specifications	
Fusing	6.3 AT
Capacity factor	approx. 0.6 (Depending on input voltage)

Release date: 2023-11-21 Date of issue: 2023-11-21 Filename: 195762\_eng.pdf

Refer to "General Notes Relating to Pepperl+Fuchs Product Information".

Pepperl+Fuchs Group  
www.pepperl-fuchs.com

USA: +1 330 486 0001  
fa-info@us.pepperl-fuchs.com

Germany: +49 621 776 1111  
fa-info@de.pepperl-fuchs.com

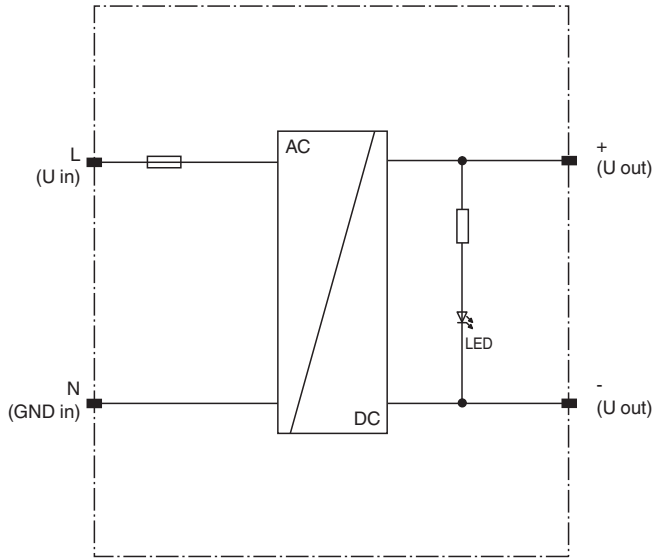
Singapore: +65 6779 9091  
fa-info@sg.pepperl-fuchs.com

PEPPERL+FUCHS

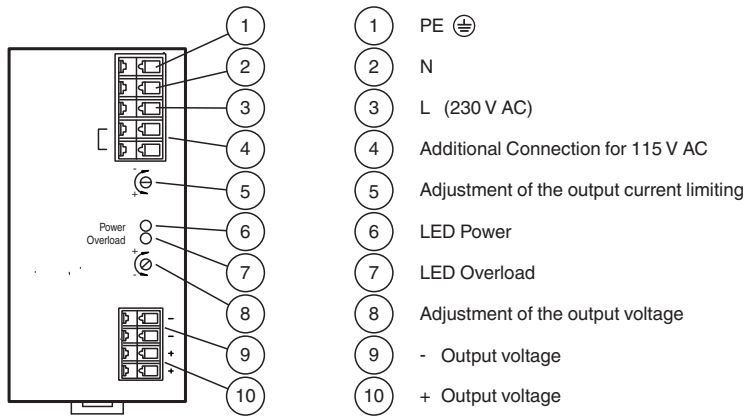
## Technical Data

Rated operating voltage	U <sub>e</sub>	115/230 V AC (for 115 V range, jumper) Range: 93 to 132 V AC/187 to 265 V AC
Rated operating current	I <sub>e</sub>	4.0 A (115 V) 1.9 A (230 V)
Supply frequency		47 ... 63 Hz
Efficiency		approx. 89 %
<b>Output</b>		
Current limit		approx. 12 A
Voltage		30 V ± 1 % Adjustment range 22.5 ... 29.5 V AC
Current		0 ... 10 A
<b>Directive conformity</b>		
Electromagnetic compatibility		
Directive 2014/30/EU		EN 55011, EN 61000-6-1, EN 61000-6-2, EN 61000-6-3, EN 61000-6-4, EN 61000-3-2 class A, EN 61000-3-3, EN 61010-1
Low voltage		
Directive 2014/35/EU		EN 61010-1:2010
<b>Conformity</b>		
Degree of protection		IEC 60529:2001
<b>Standard conformity</b>		
Electromagnetic compatibility		EN 55011, EN 61000-6-1, EN 61000-6-2
Standards		Harmonic waves: EN 61000-3-2 Class A Interference suppression: EN 55022, EN 55011 Class B Electrostatic discharge (ESD): IEC 61000-4-2 (8 kV contact discharge, 15 kV air discharge) Electromagnetic fields: IEC 61000-4-3 (10 V/m) Burst: IEC 61000-4-4 (4 kV input, 2 kV output/capacitively coupled) Surge: IEC 61000-4-5 (4 kV asymmetrical, 4 kV symmetrical) Conducted interference: IEC 61000-4-6 (10 V, 150 kHz to 80 MHz)
<b>Ambient conditions</b>		
Ambient temperature		-10 ... 70 °C (14 ... 158 °F) with free convection
Storage temperature		-25 ... 85 °C (-13 ... 185 °F)
<b>Mechanical specifications</b>		
Housing length		140 mm
Housing width		70 mm
Housing height		132.5 mm
Degree of protection		IP20
Protection class		I, Protective conductor connection necessary
Connection		Connection terminals, max. conductor cross-section 0.5 to 2.5 mm <sup>2</sup> Stripping length 5 to 6 mm
Mass		approx. 1200 g
Mounting		DIN mounting rail

**Connection**



**Assembly**



**Mounting**

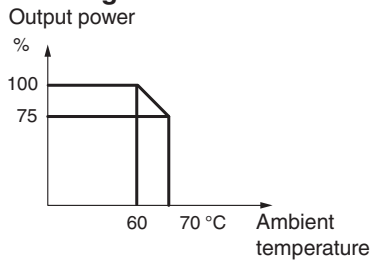
In order to ensure proper heat dissipation the power supply has to be mounted vertically in such a way, that the input terminals (L/N/PE) are located at the upper side and the output terminals (+/-) at the lower side of the front panel. A minimum clearance of 100 mm beneath and above and 30 mm to the right and left of the power supply must be provided. The inlet air temperature beneath the unit must not exceed the values specified in the technical specification.

Release date: 2023-11-21 Date of issue: 2023-11-21 Filename: 195762\_eng.pdf

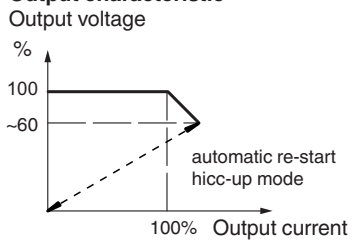
Refer to "General Notes Relating to Pepperl+Fuchs Product Information".

# Characteristic Curve

## Derating



## Output characteristic



Release date: 2023-11-21 Date of issue: 2023-11-21 Filename: 195762\_eng.pdf

Refer to "General Notes Relating to Pepperl+Fuchs Product Information".

Pepperl+Fuchs Group  
www.pepperl-fuchs.com

USA: +1 330 486 0001  
fa-info@us.pepperl-fuchs.com

Germany: +49 621 776 1111  
fa-info@de.pepperl-fuchs.com

Singapore: +65 6779 9091  
fa-info@sg.pepperl-fuchs.com