



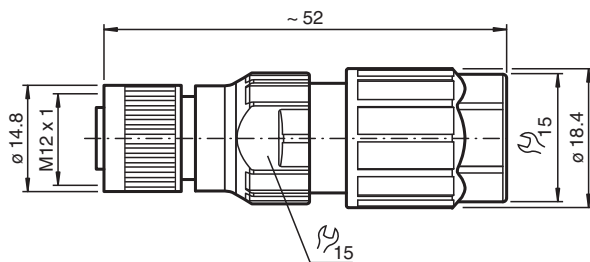
Female connector, field-attachable V1-G-Q2

- Insulation displacement connection
- Metal locking
- Knurled nut suitable for tool assembly
- cURus approval

Female connector M12 straight A-coded 4-pin, for cable diameter 4 - 8 mm, field-attachable, insulation displacement connection



Dimensions



Technical Data

General specifications

Connector 1

Connection	socket
Construction type	M12
Style	straight
Locking	screw connection
Number of pins	4
Coding	A-coded

Electrical specifications

Operating voltage	U_B	max. 250 V AC/DC
Operating current	I_B	max. 4 A
Volume resistance		< 5 m Ω
Insulation resistance		min. 100 M Ω

Conformity

Degree of protection	EN 60529
Plug connection	connector M12 x 1 : IEC 61076-2-101

Approvals and certificates

UL File Number	E191152
----------------	---------

Ambient conditions

Ambient temperature	-25 ... 80 °C (-13 ... 176 °F)
Pollution degree	3

Mechanical specifications

Release date: 2025-01-30 Date of issue: 2025-01-30 Filename: 198342_eng.pdf

Refer to "General Notes Relating to Pepperl+Fuchs Product Information".

Pepperl+Fuchs Group
www.pepperl-fuchs.com

USA: +1 330 486 0001
fa-info@us.pepperl-fuchs.com

Germany: +49 621 776 1111
fa-info@de.pepperl-fuchs.com

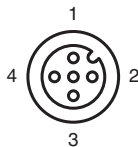
Singapore: +65 6779 9091
fa-info@sg.pepperl-fuchs.com

PEPPERL+FUCHS

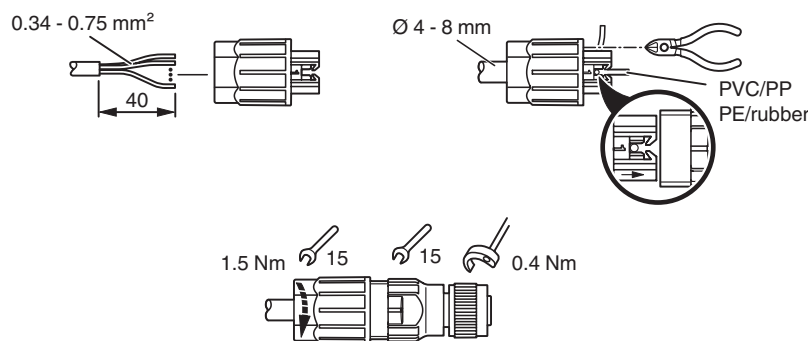
Technical Data

Plug connector	
Tightening torque	0.4 Nm
Tool installation	straight knurling
Mating cycles	min. 100
Degree of protection	IP65 / IP67
Connection	Insulation displacement connection for 0.34 ... 0.75 mm ² / AWG 22 ... AWG 18
Cable	
Sheath diameter	4 ... 8 mm
Cores	Ø 1.3 ... 2.6 mm incl. insulation Cross-section: 0.34 ... 0.75 mm ² Cable construction: Class 2-6 in accordance with VDE 0295
Core cross section	0.75 mm ² / 18 AWG max.
Mass	14.9 g
Mounting	max. tightening torque on the coupling nut: ≤ 1.5 Nm
Note	max. 10 connections possible to a cable of the same cross-section. After repeated cable connection it may be necessary to renew the seal and cap.
Material	
Plug connector	
Screw connection	Zinc diecast, nickel-plated
Body	PA 66, black
Seal	NBR
Contact surface	Ni/Au
Flammability	V-0
Cable	
Core insulation	PVC/PE/PP

Connection Assignment



Connection



Release date: 2025-01-30 Date of issue: 2025-01-30 Filename: 198342_eng.pdf

Refer to "General Notes Relating to Pepperl+Fuchs Product Information".

Pepperl+Fuchs Group
www.pepperl-fuchs.com

USA: +1 330 486 0001
fa-info@us.pepperl-fuchs.com

Germany: +49 621 776 1111
fa-info@de.pepperl-fuchs.com

Singapore: +65 6779 9091
fa-info@sg.pepperl-fuchs.com

PF PEPPERL+FUCHS