

# Female connector, field-attachable

## V1-W-PG9

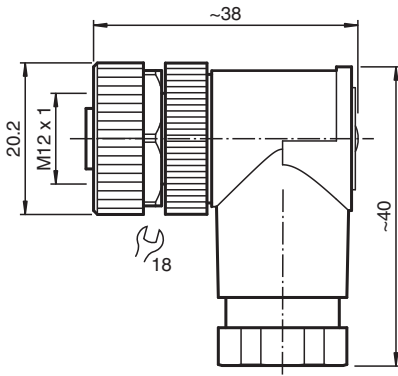


- Field-attachable
- Metal locking
- Knurled nut suitable for tool assembly
- cURus approval

Female connector M12 angled A-coded 4-pin, for cable diameter 6 - 8 mm, field-attachable



### Dimensions



### Technical Data

#### General specifications

Connector 1		
Connection		socket
Construction type		M12
Style		angled
Locking		screw connection
Number of pins		4
Coding		A-coded
Customization		Coding rotateable in steps of 90°

#### Electrical specifications

Operating voltage	U <sub>B</sub>	max. 250 V AC/DC
Operating current	I <sub>B</sub>	max. 4 A
Insulation resistance		min. 100 MΩ

#### Conformity

Degree of protection		EN 60529
Plug connection		connector M12 x 1 : IEC 61076-2-101

#### Approvals and certificates

UL File Number		E363587
----------------	--	---------

#### Ambient conditions

Ambient temperature		-40 ... 85 °C (-40 ... 185 °F)
---------------------	--	--------------------------------

Release date: 2025-01-31 Date of issue: 2025-01-31 Filename: 200771\_eng.pdf

Refer to "General Notes Relating to Pepperl+Fuchs Product Information".

Pepperl+Fuchs Group  
www.pepperl-fuchs.com

USA: +1 330 486 0001  
fa-info@us.pepperl-fuchs.com

Germany: +49 621 776 1111  
fa-info@de.pepperl-fuchs.com

Singapore: +65 6779 9091  
fa-info@sg.pepperl-fuchs.com

**PF** PEPPERL+FUCHS

## Technical Data

Pollution degree	3
<b>Mechanical specifications</b>	
Plug connector	
Tightening torque	0.6 Nm
Tool installation	straight knurling , hexagon nut SW = 18 mm
Mating cycles	min. 50
Degree of protection	IP67
Connection	screw terminals for max. 0.75 mm <sup>2</sup> / AWG 18
Cable	
Sheath diameter	6 ... 8 mm
Core cross section	0.75 mm <sup>2</sup> / 18 AWG max.
Mass	23.19 g
<b>Material</b>	
Plug connector	
Screw connection	CuZn, nickel-plated
Body	PA, black
Contact surface	CuSnZn

## Connection Assignment

