

Female connector, field-attachable

V17-W-PG9

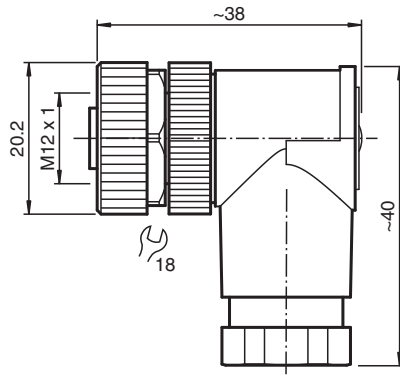


- Field-attachable
- Metal locking
- Knurled nut suitable for tool assembly

Female connector M12 angled A-coded 8-pin, for cable diameter 6 - 8 mm, field-attachable



Dimensions



Technical Data

General specifications			
Connector 1			
Connection			socket
Construction type			M12
Style			angled
Locking			screw connection
Number of pins			8
Coding			A-coded
Electrical specifications			
Operating voltage	U_B		max. 30 V AC/DC
Operating current	I_B		max. 1.5 A
Insulation resistance			min. 100 M Ω
Conformity			
Degree of protection			EN 60529
Plug connection			connector M12 x 1 : IEC 61076-2-101
Ambient conditions			
Ambient temperature			-40 ... 85 °C (-40 ... 185 °F)

Release date: 2023-02-20 Date of issue: 2023-02-20 Filename: 200772_eng.pdf

Refer to "General Notes Relating to Pepperl+Fuchs Product Information".

Pepperl+Fuchs Group
www.pepperl-fuchs.com

USA: +1 330 486 0001
fa-info@us.pepperl-fuchs.com

Germany: +49 621 776 1111
fa-info@de.pepperl-fuchs.com

Singapore: +65 6779 9091
fa-info@sg.pepperl-fuchs.com

PEPPERL+FUCHS

Technical Data

Pollution degree	3	
Mechanical specifications		
Plug connector		
Tightening torque		0.6 Nm
Tool installation		straight knurling , hexagon nut SW = 18 mm
Mating cycles		min. 100
Degree of protection		IP67
Connection		screw terminals for max. 0.5 mm ² / AWG 20
Cable		
Sheath diameter		6 ... 8 mm
Mass		28.09 g
Material		
Plug connector		
Screw connection		CuZn, nickel-plated
Body		PA, black
Contact surface		Au

Connection Assignment

