

Male connector, field-attachable

V1S-G-ABG-PG9

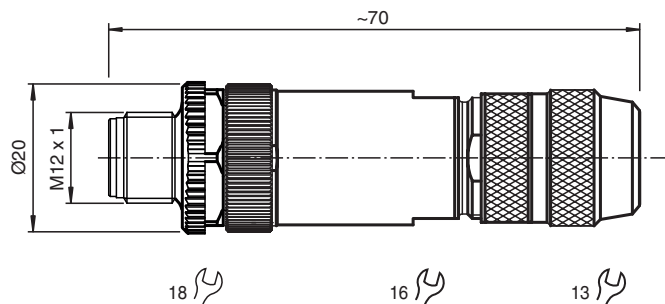


- Field-attachable, shieldable
- Metal housing
- Iris spring shielding
- cURus approval

Male connector M12 straight A-coded 4-pin, for cable diameter 5 - 8 mm, shielded, field-attachable



Dimensions



Technical Data

General specifications

| | |
|-------------------|------------------|
| Connector 1 | |
| Connection | plug |
| Construction type | M12 |
| Style | straight |
| Locking | screw connection |
| Number of pins | 4 |
| Coding | A-coded |
| UL File Number | E363587 |

Electrical specifications

| | | |
|-----------------------|-------|---------------------|
| Operating voltage | U_B | max. 250 V AC/DC |
| Operating current | I_B | max. 4 A |
| Insulation resistance | | min. 100 M Ω |

Conformity

| | |
|----------------------|-------------------------------------|
| Degree of protection | EN 60529 |
| Plug connection | connector M12 x 1 : IEC 61076-2-101 |

Ambient conditions

Release date: 2023-02-20 Date of issue: 2023-02-20 Filename: 208871_eng.pdf

Refer to "General Notes Relating to Pepperl+Fuchs Product Information".

Pepperl+Fuchs Group
www.pepperl-fuchs.com

USA: +1 330 486 0001
fa-info@us.pepperl-fuchs.com

Germany: +49 621 776 1111
fa-info@de.pepperl-fuchs.com

Singapore: +65 6779 9091
fa-info@sg.pepperl-fuchs.com

 PEPPERL+FUCHS

Technical Data

| | | |
|----------------------------------|--|---|
| Ambient temperature | -40 ... 85 °C (-40 ... 185 °F) | |
| Pollution degree | | 3 |
| Mechanical specifications | | |
| Plug connector | | |
| Tightening torque | 0.6 Nm | |
| Tool installation | straight knurling , hexagon nut SW = 18 mm | |
| Mating cycles | min. 100 | |
| Shielding | iris spring shielding | |
| Degree of protection | IP67 | |
| Connection | screw terminals for max. 0.75 mm ² / AWG 18 | |
| Cable | | |
| Sheath diameter | 5 ... 8 mm | |
| Mass | 45.83 g | |
| Material | | |
| Plug connector | | |
| Screw connection | Zinc diecast, nickel-plated | |
| Body | Zinc diecast, nickel-plated | |
| Seal | NBR | |
| Contact surface | Au | |

Connection Assignment

