

Female connector, field-attachable

V1-W-ABG-PG9

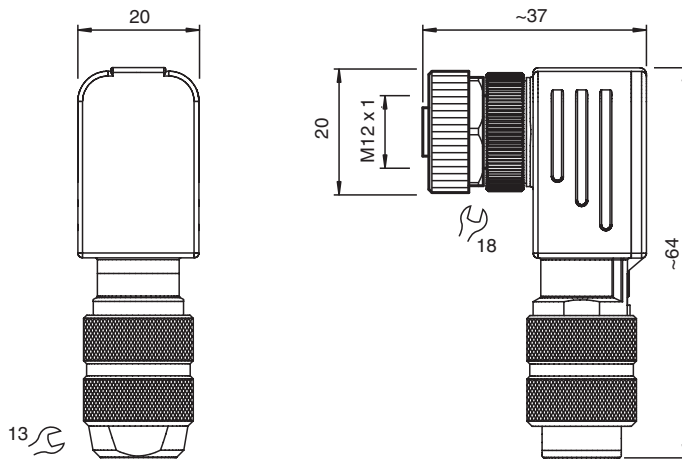


- Field-attachable, shieldable
- Metal housing
- Iris spring shielding
- cURus approval

Female connector M12 angled A-coded 4-pin, for cable diameter 5 - 8 mm, shielded, field-attachable



Dimensions



Technical Data

General specifications			
Connector 1			
Connection		socket	
Construction type		M12	
Style		angled	
Locking		screw connection	
Number of pins		4	
Coding		A-coded	
Customization		Coding rotateable in steps of 90°	
UL File Number		E363587	
Electrical specifications			
Operating voltage	U _B	max. 250 V AC/DC	
Operating current	I _B	4 A	
Insulation resistance		min. 100 MΩ	
Conformity			
Degree of protection		EN 60529	
Plug connection		connector M12 x 1 : IEC 61076-2-101	

Release date: 2023-08-18 Date of issue: 2023-08-18 Filename: 211363_eng.pdf

Refer to "General Notes Relating to Pepperl+Fuchs Product Information".

Pepperl+Fuchs Group
www.pepperl-fuchs.com

USA: +1 330 486 0001
fa-info@us.pepperl-fuchs.com

Germany: +49 621 776 1111
fa-info@de.pepperl-fuchs.com

Singapore: +65 6779 9091
fa-info@sg.pepperl-fuchs.com

PF PEPPERL+FUCHS

Technical Data

Ambient conditions	
Ambient temperature	-40 ... 85 °C (-40 ... 185 °F)
Pollution degree	3
Mechanical specifications	
Plug connector	
Tightening torque	0.6 Nm
Tool installation	straight knurling , hexagon nut SW = 18 mm
Mating cycles	min. 100
Shielding	iris spring shielding
Degree of protection	IP67
Connection	screw terminals for max. 0.75 mm ² / AWG 18
Cable	
Sheath diameter	5 ... 8 mm
Mass	69.74 g
Material	
Plug connector	
Screw connection	Zinc diecast, nickel-plated
Body	Zinc diecast, nickel-plated
Seal	NBR , FKM
Contact surface	Au

Connection Assignment

