



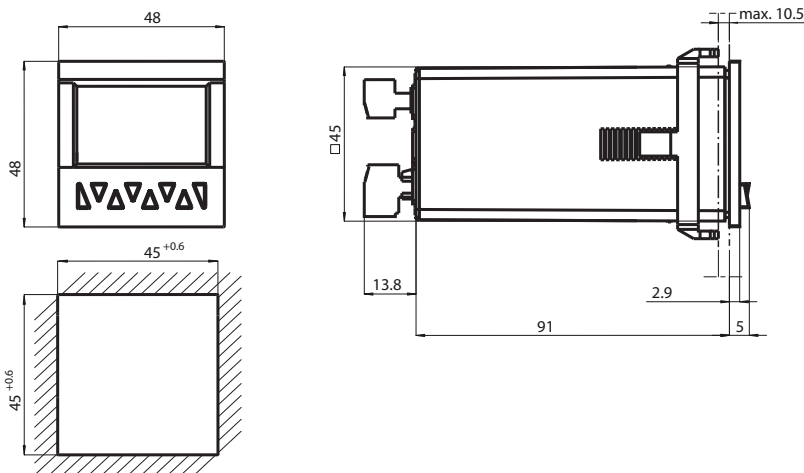
## Timer, Counter, Tachometer KC-LCDC-48-2R-230VAC

- Counter/Timer/Tachometer
- Adding/subtracting via 2 separate inputs
- Batch controller with 2 pre-selections
- Easy-to-read backlit 2-line LCD display with icons for the displayed preselection and the status of both outputs
- Multicolor display
- Display range and preselection range from -999999 up to 999999  
Overflow will be evaluated correctly up to 1 decade
- PNP and NPN sensors can be connected
- Degree of protection IP65 (front only)

LCD batch controller with 2 relay outputs and 90 ... 260 VAC supply voltage



### Dimensions



### Technical Data

#### General specifications

Pre-selection	2-fold
Data storage	> 10 years, EEPROM
Programming	keypad-driven menu

#### Indicators/operating means

Type	2-line, 2 x 6-digit LC display with leading sign Multicolor, backlit
Display value	digit height 9 mm
Pre-selection	digit height 7 mm
Key interlock	via "high" potential at "LOCK" input
Decimal point	0 to max 5 fractional digits
Scale factor	0.0001 ... 99.9999
Reset	manually or external

#### Electrical specifications

Fusing	90 ... 260 V AC: T 0.1 A
Operating voltage	U <sub>B</sub> 90 ... 260 V AC
Power consumption	P <sub>0</sub> max. 8 VA

Release date: 2023-11-21 Date of issue: 2023-11-21 Filename: 214740\_eng.pdf

Refer to "General Notes Relating to Pepperl+Fuchs Product Information".

Pepperl+Fuchs Group  
www.pepperl-fuchs.com

USA: +1 330 486 0001  
fa-info@us.pepperl-fuchs.com

Germany: +49 621 776 1111  
fa-info@de.pepperl-fuchs.com

Singapore: +65 6779 9091  
fa-info@sg.pepperl-fuchs.com

 PEPPERL+FUCHS

## Technical Data

Input	
Connection	Counter inputs: A and B Control/reset inputs: LOCK, RESET, GATE, MPI
Signal voltage	
High	12 ... 30 V DC
Low	0 ... 4 V DC
Counting frequency	30 Hz / 55 kHz
Minimum pulse duration	Control/reset inputs: 10 ms / 1 ms
Impedance	5 kOhm
Count modes	
Pulse counter	Counting with counting direction (cnt.dir), difference counting (up.dn), up/down counting (quad), Cumulative counting (up.up), up/down counting x 2 (quad 2), up/down counting x 4 (quad 4), additional functions for counter input A and counter input B: A/B, (A-B)/A x 100%
Frequency counter	functions for input A and input B: A, A-B, A+B quad, A/B, (A-B)/A x 100 %
Timer	Time measurement via GATE input (FrErun), counter input A: Start, counter input B: Stop (InpA.InpB.), counter input B: Start/Stop (InpB.InpB.), time measuring via RESET input (auto)
Output	
Relay	changeover contact , Make contact
Switching voltage	max. 250 V AC / 110 V DC
Switching current	max. 3 A AC/DC, min. 30 mA DC,
Switching power	max. 750 VA / 90 W
Sensor supply	20.4 ... 27.6 V DC, max. 80 mA
Output I	Relay with make contact, NC or NO progr.
Mechanical life	2 x 10 <sup>7</sup> switching cycles
Electrical life	1 x 10 <sup>5</sup> switching cycles at 3 A
Output II	Relay with changeover contact
Mechanical life	2 x 10 <sup>7</sup> switching cycles
Electrical life	5 x 10 <sup>4</sup> cycles at 3 A
Response time	Relay: approx. 7 ms Frequency counter: 100/600 ms
Compliance with standards and directives	
Directive conformity	
Low Voltage Directive 2006/95/EC	EN 61010-1:2001; protection class: 2
EMC Directive 2004/108/EC	EN 61000-6-2:2005, EN 50295:1999
Standard conformity	
Emitted interference	DIN EN 55011:2009, Class B
Mech. capacity	EN 60068-2-6:2008 10 ... 55 Hz / 1 mm / XYZ 30 min in each direction
Shock and impact resistance	EN 60068-2-27:1995 100 G / 2 ms / XYZ 3 times in each direction
Ambient conditions	
Ambient temperature	-20 ... 65 °C (-4 ... 149 °F)
Storage temperature	-25 ... 75 °C (-13 ... 167 °F)
Relative humidity	≤ 93 % at 40 °C (noncondensing)
Altitude	0 ... 2000 m
Pollution degree	2
Mechanical specifications	
Degree of protection	IP65 (front)
Mass	approx. 142 g

Release date: 2023-11-21 Date of issue: 2023-11-21 Filename: 214740\_eng.pdf

Refer to "General Notes Relating to Pepperl+Fuchs Product Information".

 Pepperl+Fuchs Group  
www.pepperl-fuchs.com

 USA: +1 330 486 0001  
fa-info@us.pepperl-fuchs.com

 Germany: +49 621 776 1111  
fa-info@de.pepperl-fuchs.com

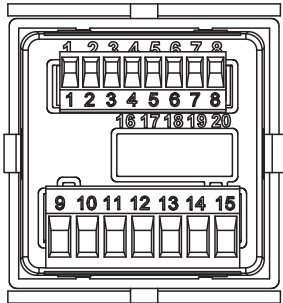
 Singapore: +65 6779 9091  
fa-info@sg.pepperl-fuchs.com

 **PEPPERL+FUCHS**

**Technical Data**

Dimensions	48 mm x 48 mm x 109.8 mm
------------	--------------------------

**Connection**



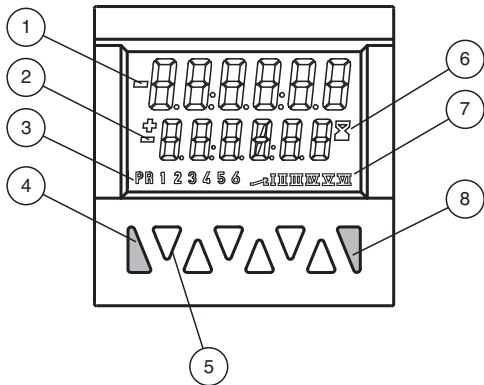
**Signal and control inputs**

- 1 Sensor supply voltage
- 2 GND (0V)
- 3 INP A (Signal input A)
- 4 INP B (Signal input B)
- 5 RESET (Reset input)
- 6 LOCK (Input Keypad lock)
- 7 GATE (Gate input)
- 8 MPI (User input)

**Supply voltage and outputs**

- 9 Relay contact C. } Output 1
- 10 Relay contact N.O. }
- 11 Relay contact C. } Output 2
- 12 Relay contact N.O. }
- 13 Relay contact N.C. }
- 14 90 ... 260 V AC N~ } Supply voltage
- 15 90 ... 260 V AC L~ }

**Assembly**



- 1 Current count value
- 2 Preset value
- 3 Indicator preset value (at 9)
- 4 Reset key
- 5 Decade keys 1 to 6 / Keys for programming
- 6 Run display for timer
- 7 Shows the active output
- 8 Prog/Mode key

Release date: 2023-11-21 Date of issue: 2023-11-21 Filename: 214740\_eng.pdf