



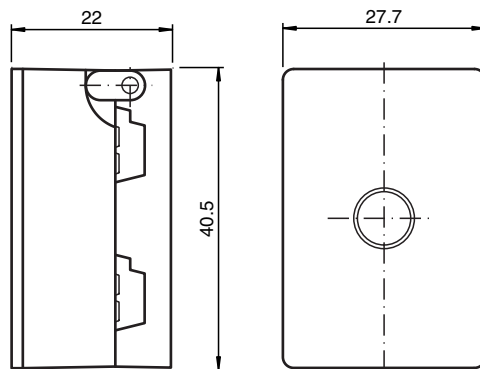
AS-Interface splitter box VAZ-2FK-G10-BRIDGE

- One piece housing
- Simple and fast mounting
- High current rating
- Gold-plated and machined contacts
- Degree of protection IP68 / IP69K

Splitter box G10, flat cable to flat cable



Dimensions



Technical Data

General specifications			
Construction type	Flat cable terminals		
UL File Number	E223772 "For use in NFPA 79 Applications only"		
Electrical specifications			
Rated operating voltage	U_e	≤ 32 V PELV	
Rated operating current	I_e	≤ 8 A	
Protection class	III		
Current loading capacity	12 A with a wire cross section of 2.5 mm ²		
Surge protection	overvoltage category III		
Compliance with standards and directives			
Standard conformity			
Degree of protection	EN 60529:2000		
Approvals and certificates			
UL approval	cULus Listed, Type 1 enclosure		
Ambient conditions			
Ambient temperature	-25 ... 75 °C (-13 ... 167 °F)		
Storage temperature	-25 ... 85 °C (-13 ... 185 °F)		

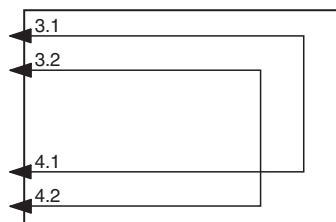
Release date: 2021-09-17 Date of issue: 2021-09-17 Filename: 216026_eng.pdf

Refer to "General Notes Relating to Pepperl+Fuchs Product Information".

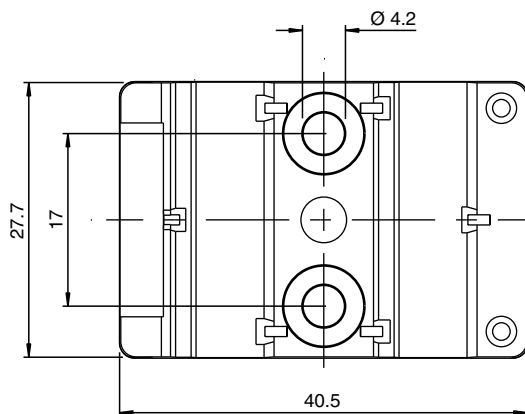
Technical Data

Pollution degree	3
Mechanical specifications	
Degree of protection	IP67 IP67 / IP68 / IP69K with flat cable VAZ-FK-S-*
Connection	Flat cable: cable piercing method
Material	
Contacts	CuSn / Au
Housing	PBT PC
Mounting screw	Stainless steel 1.4305 / AISI 303
Mass	40 g
Tightening torque, fastening screws	1.65 Nm

Connection



Mounting



You may screw the device onto a level mounting surface using two M4 attachment screws. The attachment screws are not included.