



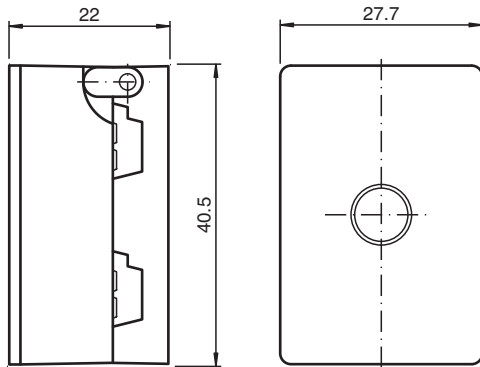
AS-Interface splitter box VAZ-2FK-G10-BRIDGE

- One piece housing
- Simple and fast mounting
- High current rating
- Gold-plated and machined contacts
- Degree of protection IP68 / IP69K

Splitter box G10, flat cable to flat cable



Dimensions



Technical Data

General specifications	
Construction type	Flat cable terminals
Electrical specifications	
Rated operating voltage	$U_e \leq 60 \text{ V PELV}$
Rated operating current	$I_e \leq 8 \text{ A}$
Protection class	III
Current loading capacity	12 A with a wire cross section of 2.5 mm ²
Surge protection	overvoltage category III
Compliance with standards and directives	
Standard conformity	
Degree of protection	EN 60529:2000
Approvals and certificates	
UL approval	cULus Listed, Type 1 enclosure
Application	for use in NFPA 79 applications
Maximum permissible operating voltage	max. 32 V
UL File Number	E223772
Ambient conditions	
Ambient temperature	-25 ... 75 °C (-13 ... 167 °F)
Storage temperature	-25 ... 85 °C (-13 ... 185 °F)
Pollution degree	3

Release date: 2024-12-12 Date of issue: 2024-12-12 Filename: 216026_eng.pdf

Refer to "General Notes Relating to Pepperl+Fuchs Product Information".

Pepperl+Fuchs Group
www.pepperl-fuchs.com

USA: +1 330 486 0001
fa-info@us.pepperl-fuchs.com

Germany: +49 621 776 1111
fa-info@de.pepperl-fuchs.com

Singapore: +65 6779 9091
fa-info@sg.pepperl-fuchs.com

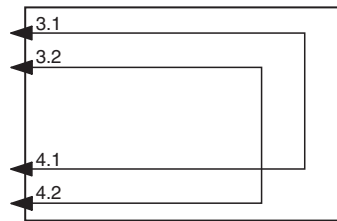
PEPPERL+FUCHS

Technical Data

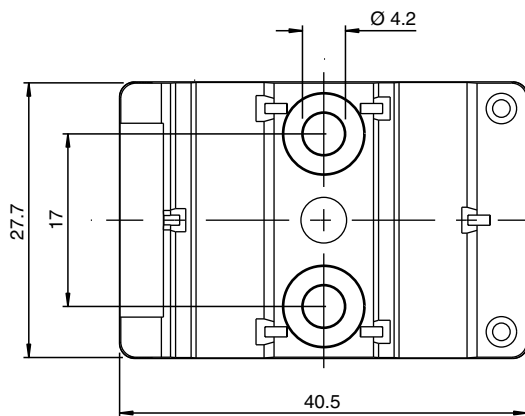
Mechanical specifications

Degree of protection	IP67 IP67 / IP68 / IP69K with flat cable VAZ-FK-S*
Connection	Flat cable: cable piercing method
Material	
Contacts	CuSn / Au
Housing	PBT PC
Mounting screw	Stainless steel 1.4305 / AISI 303
Mass	40 g
Tightening torque, fastening screws	1.65 Nm
Dimensions	
Height	22 mm
Width	27.7 mm
Length	40.5 mm

Connection



Mounting



You may screw the device onto a level mounting surface using two M4 attachment screws. The attachment screws are not included.