



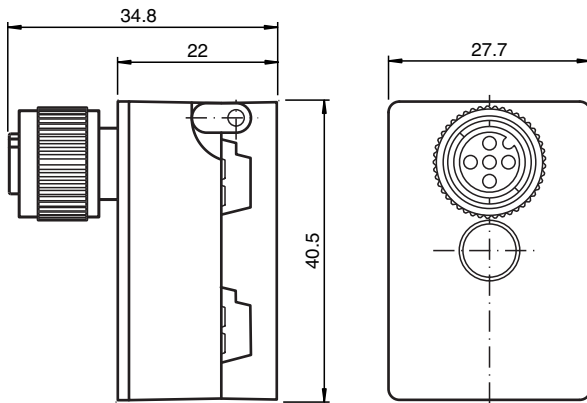
## AS-Interface splitter box VAZ-T1-FK-G10-V1

- One piece housing
- Simple and fast mounting
- Gold-plated and machined contacts
- Immunity to vibration
- Degree of protection IP68 / IP69K

Splitter box G10, AS-Interface to M12



### Dimensions



### Technical Data

#### General specifications

Construction type	Socket, straight Flat cable terminal AS-Interface
-------------------	--

#### Electrical specifications

Rated operating voltage	$U_e$	$\leq 60$ V PELV
Rated operating current	$I_e$	$\leq 4$ A AS-Interface
Protection class		III
Surge protection		overvoltage category III

#### Compliance with standards and directives

Standard conformity	
Degree of protection	EN 60529:2000

#### Approvals and certificates

UL approval	cULus Listed, Type 1 enclosure
Application	for use in NFPA 79 applications
Maximum permissible operating voltage	max. 32 V
Maximum permissible ambient temperature	max. 55 °C (max. 131 °F)
UL File Number	E223772

#### Ambient conditions

Ambient temperature	-25 ... 75 °C (-13 ... 167 °F)
---------------------	--------------------------------

Release date: 2024-12-12 Date of issue: 2024-12-12 Filename: 216027\_eng.pdf

Refer to "General Notes Relating to Pepperl+Fuchs Product Information".

Pepperl+Fuchs Group  
www.pepperl-fuchs.com

USA: +1 330 486 0001  
fa-info@us.pepperl-fuchs.com

Germany: +49 621 776 1111  
fa-info@de.pepperl-fuchs.com

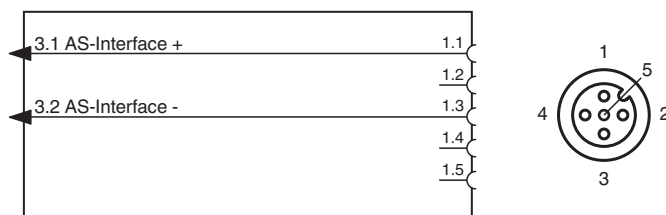
Singapore: +65 6779 9091  
fa-info@sg.pepperl-fuchs.com

**PEPPERL+FUCHS**

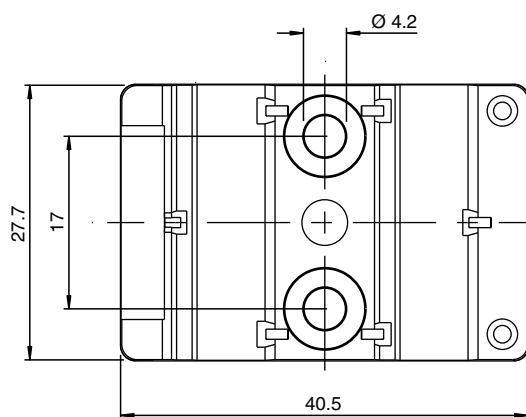
## Technical Data

Storage temperature	-25 ... 85 °C (-13 ... 185 °F)
Pollution degree	3
<b>Mechanical specifications</b>	
Degree of protection	IP67 IP67 / IP68 / IP69K with flat cable VAZ-FK-S*
Connection	Flat cable AS-Interface: cable piercing method Plug connection: M12 x 1 socket (V1)
<b>Material</b>	
Contacts	CuSn / Au
Housing	PBT PC
Mounting screw	Stainless steel 1.4305 / AISI 303
Mass	45 g
Tightening torque, fastening screws	1.65 Nm
<b>Dimensions</b>	
Height	22 mm
Width	27.7 mm
Length	40.5 mm
Note	The unused flat cable connector is closed with a seal.

## Connection



## Mounting



You may screw the device onto a level mounting surface using two M4 attachment screws. The attachment screws are not included.