



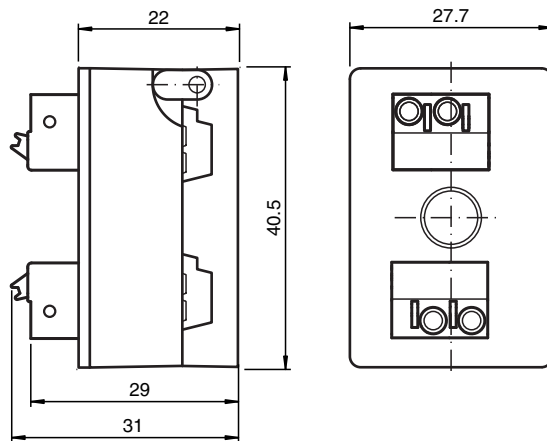
## AS-Interface splitter box VAZ-T1-FK-G10-CLAMP1

- One piece housing
- Simple and fast mounting
- High current rating
- Gold-plated and machined contacts

Splitter box G10, 2 x AS-Interface to 2 double terminals



### Dimensions



### Technical Data

#### General specifications

Construction type	Spring terminal flat cable terminals
UL File Number	E223772 "For use in NFPA 79 Applications only"

#### Electrical specifications

Rated operating voltage	$U_e$	$\leq 32$ V PELV
Rated operating current	$I_e$	$\leq 8$ A
Protection class		III
Surge protection		overvoltage category III

#### Compliance with standards and directives

Standard conformity	
Degree of protection	EN 60529:2000

#### Approvals and certificates

UL approval	cULus Listed, Type 1 enclosure
Maximum permissible ambient temperature	max. 55 °C (max. 131 °F)

#### Ambient conditions

Ambient temperature	-25 ... 75 °C (-13 ... 167 °F)
Storage temperature	-25 ... 85 °C (-13 ... 185 °F)

Release date: 2021-09-17 Date of issue: 2021-09-17 Filename: 216029\_eng.pdf

Refer to "General Notes Relating to Pepperl+Fuchs Product Information".

Pepperl+Fuchs Group  
www.pepperl-fuchs.com

USA: +1 330 486 0001  
fa-info@us.pepperl-fuchs.com

Germany: +49 621 776 1111  
fa-info@de.pepperl-fuchs.com

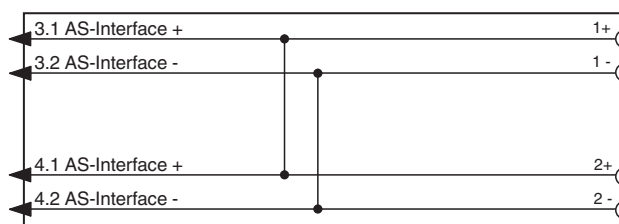
Singapore: +65 6779 9091  
fa-info@sg.pepperl-fuchs.com

PEPPERL+FUCHS

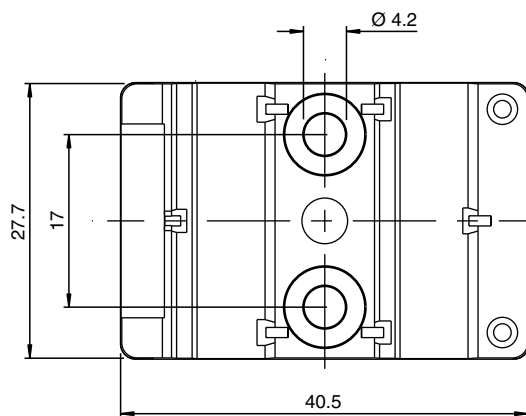
## Technical Data

Pollution degree	2
<b>Mechanical specifications</b>	
Degree of protection	IP20
Connection	Flat cable: cable piercing method spring terminal
<b>Material</b>	
Contacts	CuSn / Au
Housing	PBT PC
Mounting screw	Stainless steel 1.4305 / AISI 303
Mass	40 g
Tightening torque, fastening screws	1.65 Nm
Note	The unused flat cable connector is closed with a seal.

## Connection



## Mounting



You may screw the device onto a level mounting surface using two M4 attachment screws. The attachment screws are not included.