



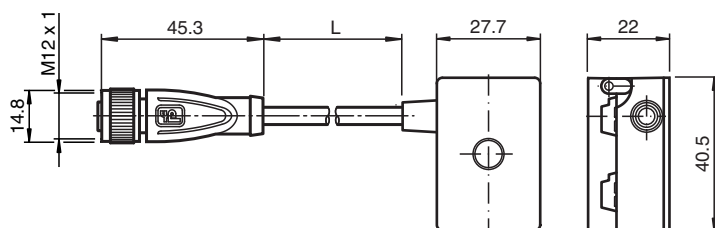
AS-Interface splitter box VAZ-2T1-FK-G10-2M-PUR-V1-G

- One piece housing
- Simple and fast mounting
- Gold-plated and machined contacts
- Oil and abrasion resistant PUR line appropriate for drag chains
- Immunity to vibration
- Degree of protection IP68 / IP69K
- Halogen-free

Splitter box G10, AS-Interface and auxiliary voltage to 1 x M12 round connector



Dimensions



Technical Data

General specifications

Construction type	Socket, straight Flat cable terminals AS-Interface/ext. auxiliary voltage	
UL File Number	E223772 "For use in NFPA 79 Applications only"	

Electrical specifications

Rated operating voltage	U_e	≤ 32 V PELV (AS-Interface , ext. auxiliary voltage AUX)
Rated operating current	I_e	≤ 3 A AS-Interface, ≤ 3 A AUX
Protection class	III	
Current loading capacity	max. 4 A	
Surge protection	overvoltage category III	
Pulse withstand voltage	800 V	

Compliance with standards and directives

Standard conformity	EN 60529:2000	
---------------------	---------------	--

Approvals and certificates

UL approval	cULus Listed, Type 1 enclosure	
-------------	--------------------------------	--

Ambient conditions

Ambient temperature	$-25 \dots 75$ °C ($-13 \dots 167$ °F)	
---------------------	---	--

Release date: 2021-09-17 Date of issue: 2021-09-17 Filename: 216037_eng.pdf

Refer to "General Notes Relating to Pepperl+Fuchs Product Information".

Pepperl+Fuchs Group
www.pepperl-fuchs.com

USA: +1 330 486 0001
fa-info@us.pepperl-fuchs.com

Germany: +49 621 776 1111
fa-info@de.pepperl-fuchs.com

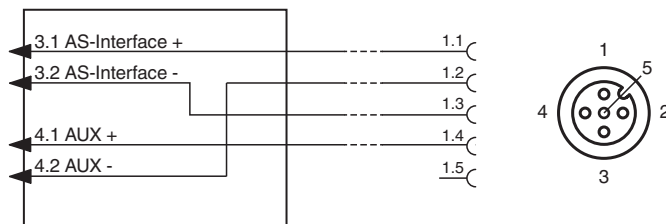
Singapore: +65 6779 9091
fa-info@sg.pepperl-fuchs.com

PEPPERL+FUCHS

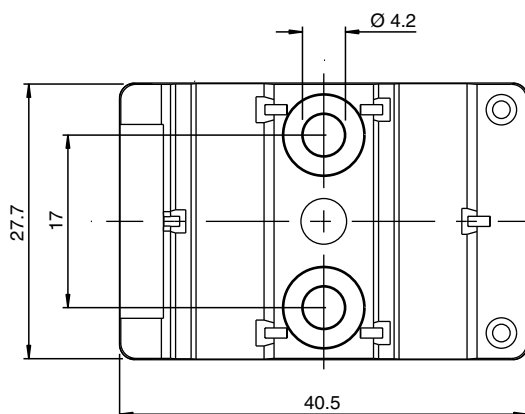
Technical Data

Storage temperature	-25 ... 85 °C (-13 ... 185 °F)	
Pollution degree	3	
Mechanical specifications		
Degree of protection	IP67 IP67 / IP68 / IP69K with flat cable VAZ-FK-S*	
Connection	Flat cable AS-Interface: cable piercing method Flat cable ext. auxiliary voltage U_{AUX} : Insulation penetration technology Plug connection: M12 x 1 socket (V1)	
Material		
Contacts	CuSn / Au	
Housing	PBT PC	
Body	PUR, black	
Cable	PUR	
Mounting screw	Stainless steel 1.4305 / AISI 303	
Cable		
Sheath diameter	Ø4,3 mm	
Color	black	
Cores	4 x 0.34 mm ²	
Length	L	2 m
Mass	100 g	
Tightening torque, fastening screws	1.65 Nm	

Connection



Mounting



You may screw the device onto a level mounting surface using two M4 attachment screws. The attachment screws are not included.