

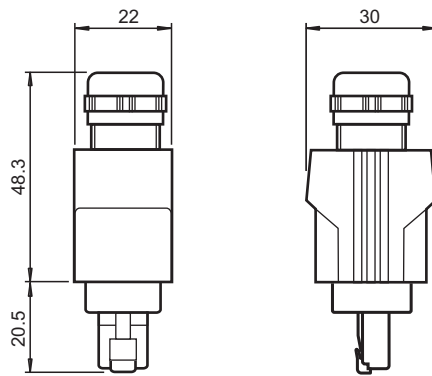


Connector ICZ-AIDA1-V45

Plug connector for RJ-45



Dimensions



Technical Data

General specifications			
Number of pins			4
Electrical specifications			
Rated current	I_r	1.75 A	
Nominal voltage		50 V	
Compliance with standards and directives			
Standard conformity			
Standards		CAT5 (IEC 11801:2002) , CAT5e (TIA 568B:2001)	
Ambient conditions			
Ambient temperature		-40 ... 70 °C (-40 ... 158 °F)	
Mechanical specifications			
Degree of protection		IP65/IP67	
Connection		RJ-45	
Material			
Contacts		Cu alloy	
Contact surface		Au	
Housing		Zinc diecast, nickel-plated	

Release date: 2021-02-04 Date of issue: 2021-02-04 Filename: 217762_eng.pdf

Refer to "General Notes Relating to Pepperl+Fuchs Product Information".

Pepperl+Fuchs Group
www.pepperl-fuchs.com

USA: +1 330 486 0001
fa-info@us.pepperl-fuchs.com

Germany: +49 621 776 1111
fa-info@de.pepperl-fuchs.com


Singapore: +65 6779 9091
fa-info@sg.pepperl-fuchs.com

 PEPPERL+FUCHS

Technical Data

Cable	
Sheath diameter	5 mm ... 8 mm
Core diameter	0.13 mm ² ... 0.32 mm ² (solid) 0.14 mm ² ... 0.36 mm ² (stranded) 26 ... 22 AWG (solid/stranded)
Mass	68 g

Accessories

	CBL-PUR-E1S-GN-04x034-100M	Cable, PUR/PP, 4-core green, Cat5e, shielded, UL approved, drag chain suitable
---	-----------------------------------	--